



Chipsmall Limited consists of a professional team with an average of over 10 year of expertise in the distribution of electronic components. Based in Hongkong, we have already established firm and mutual-benefit business relationships with customers from,Europe,America and south Asia,supplying obsolete and hard-to-find components to meet their specific needs.

With the principle of “Quality Parts,Customers Priority,Honest Operation,and Considerate Service”,our business mainly focus on the distribution of electronic components. Line cards we deal with include Microchip,ALPS,ROHM,Xilinx,Pulse,ON,Everlight and Freescale. Main products comprise IC,Modules,Potentiometer,IC Socket,Relay,Connector.Our parts cover such applications as commercial,industrial, and automotives areas.

We are looking forward to setting up business relationship with you and hope to provide you with the best service and solution. Let us make a better world for our industry!



Contact us

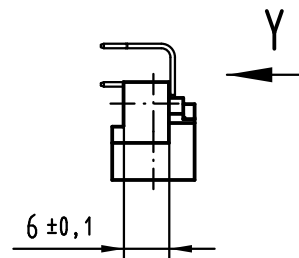
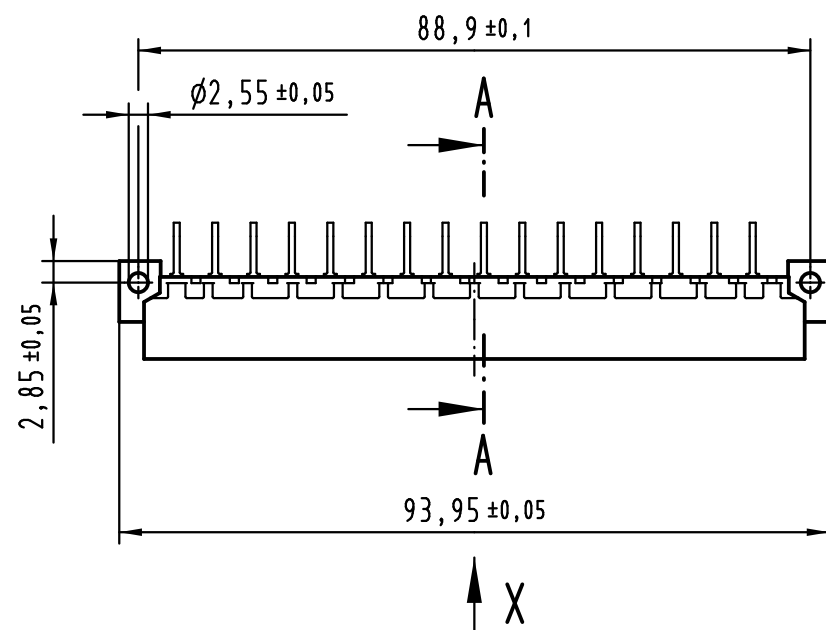
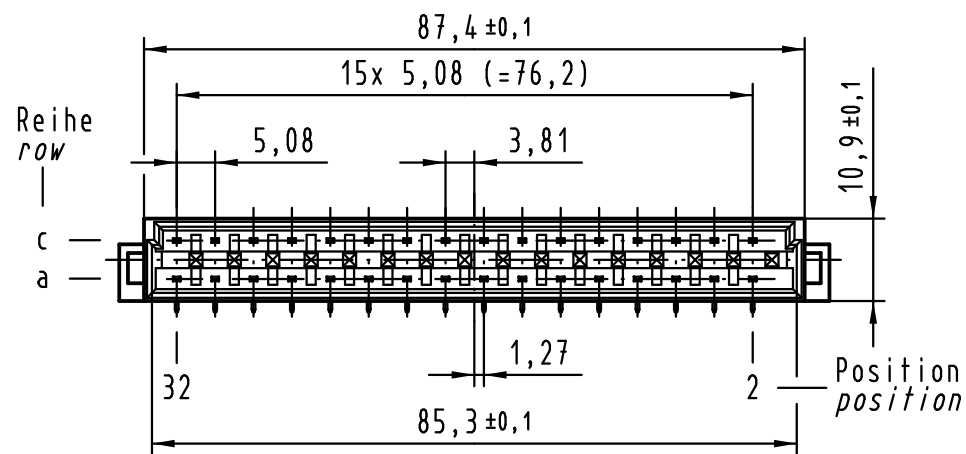
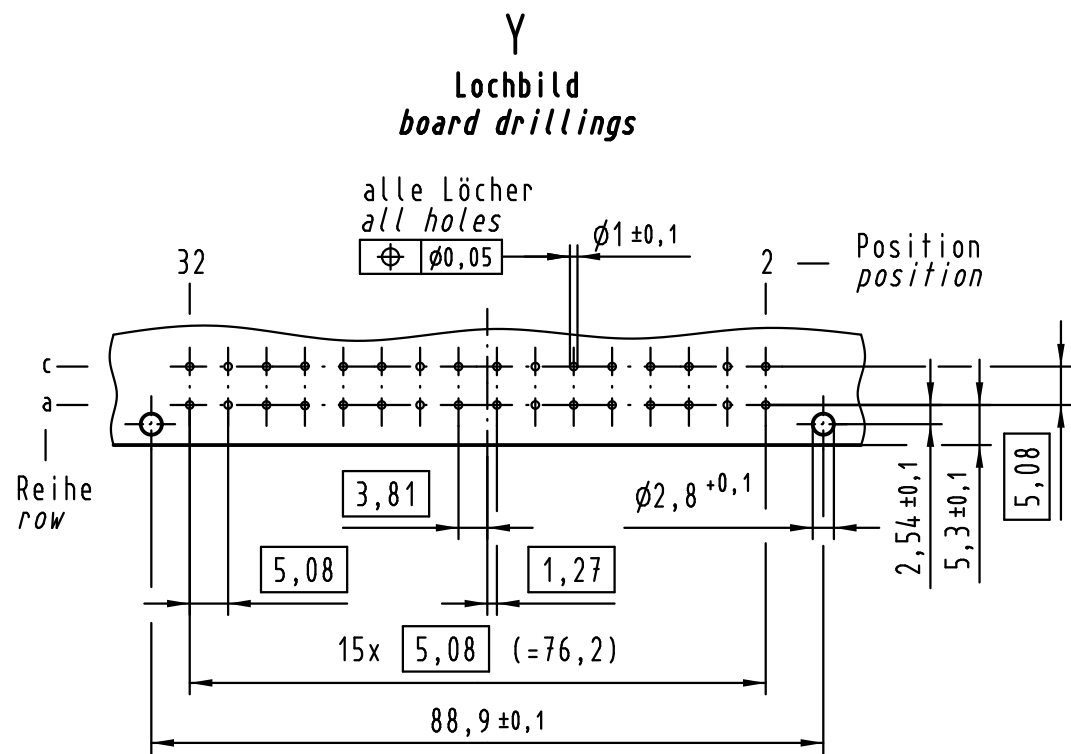
Tel: +86-755-8981 8866 Fax: +86-755-8427 6832

Email & Skype: info@chipsmall.com Web: www.chipsmall.com

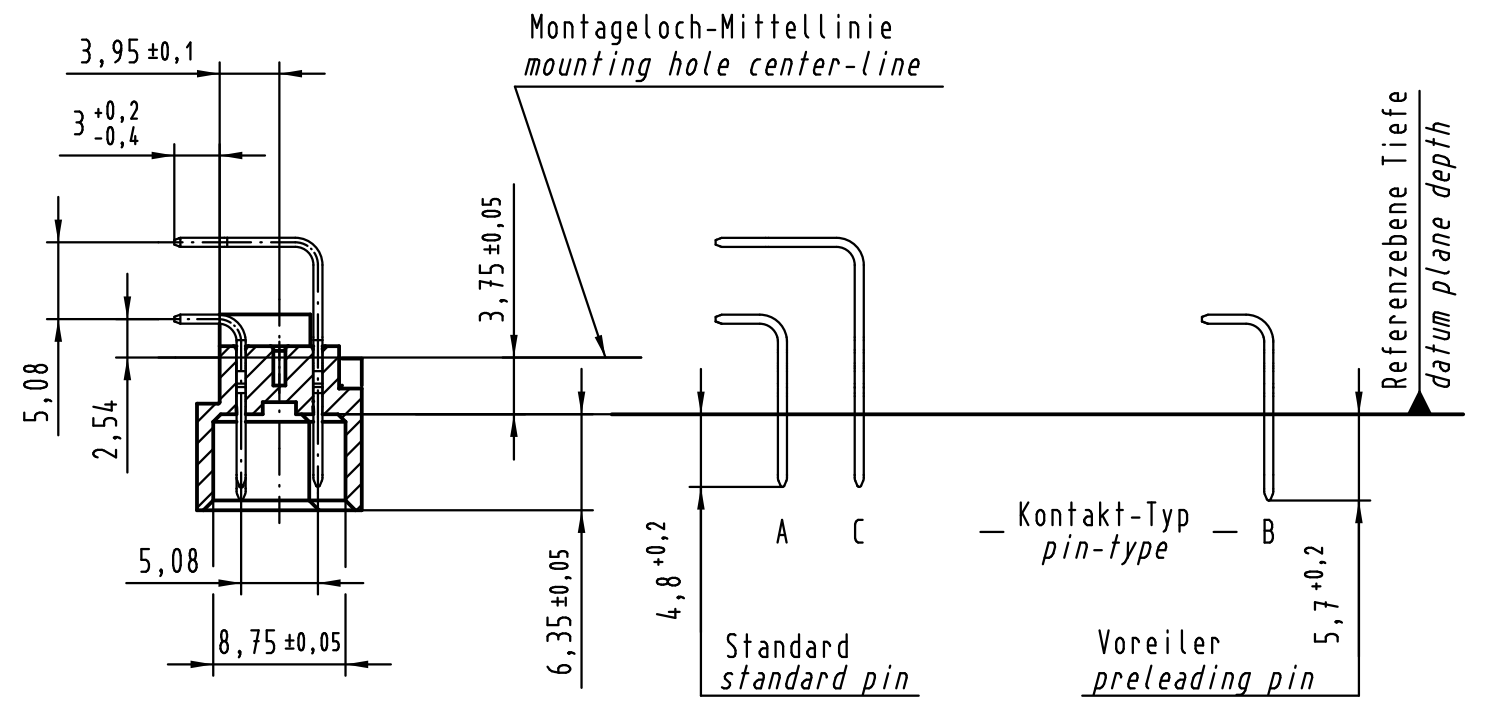
Address: A1208, Overseas Decoration Building, #122 Zhenhua RD., Futian, Shenzhen, China



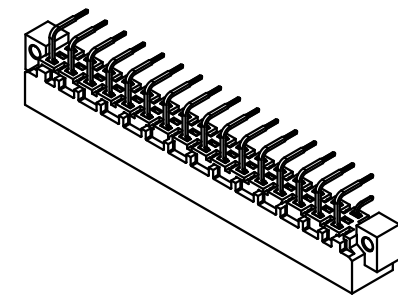
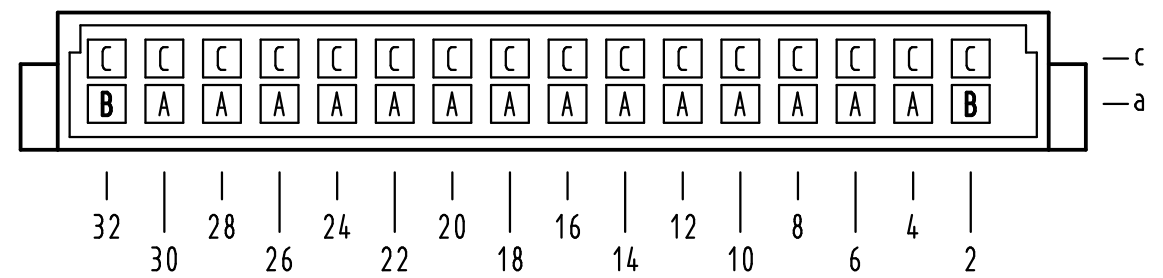
Alle Rechte vorbehalten/ All rights reserved



A-A (2:1)



X Kontaktbelegung contact loading



① weitere Informationen siehe: DS 09 04 100 02 01
further information see: DS 09 04 100 02 01

09 04 132 7951	3
09 04 132 6951	2
Bestell-Nr. part-no.	Anforderungsstufe performance level ①

All Dimensions in mm Original Size DIN A 3		Techn. Character.			Maßstab/Scale 1:1
Mod.	Dat.	Name	Dat.	Name	
36453	18.11.11	Hage.	Detail.	21.01.05	HARTING
35522	07.07.09	Hage.	Insp.	21.01.05	
32537			Stand.		
		HARTING Electronics GmbH & Co. KG D-32339 ESPELKAMP			

Nicht tolerierte Maßel Free size tolerances IEC 60603-2	
Bauform / type D Messerleiste Einlöt gewinkelt 5,08 32-polig male connector solder angled 5.08 32-pole	
TB 09 04 132 x951	Blatt/ page
Sub.	