



Chipsmall Limited consists of a professional team with an average of over 10 year of expertise in the distribution of electronic components. Based in Hongkong, we have already established firm and mutual-benefit business relationships with customers from,Europe,America and south Asia,supplying obsolete and hard-to-find components to meet their specific needs.

With the principle of “Quality Parts,Customers Priority,Honest Operation,and Considerate Service”,our business mainly focus on the distribution of electronic components. Line cards we deal with include Microchip,ALPS,ROHM,Xilinx,Pulse,ON,Everlight and Freescale. Main products comprise IC,Modules,Potentiometer,IC Socket,Relay,Connector.Our parts cover such applications as commercial,industrial, and automotives areas.

We are looking forward to setting up business relationship with you and hope to provide you with the best service and solution. Let us make a better world for our industry!



Contact us

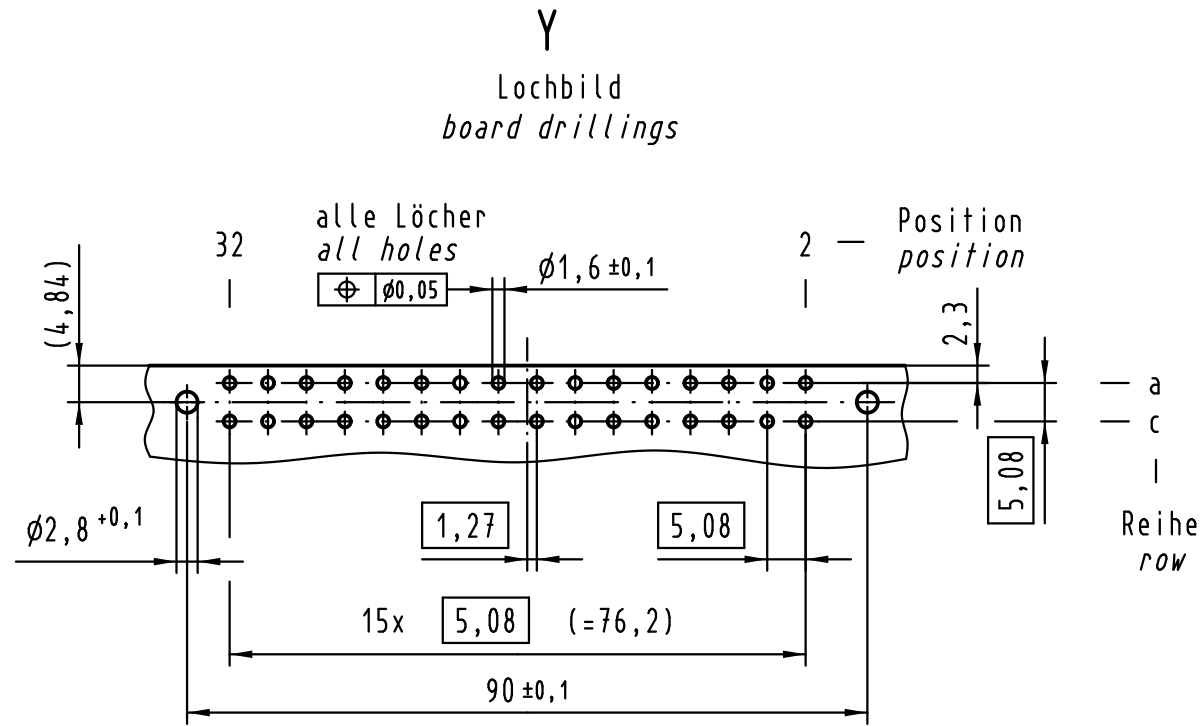
Tel: +86-755-8981 8866 Fax: +86-755-8427 6832

Email & Skype: info@chipsmall.com Web: www.chipsmall.com

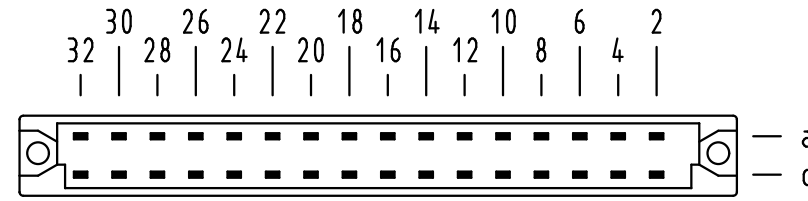
Address: A1208, Overseas Decoration Building, #122 Zhenhua RD., Futian, Shenzhen, China



Alle Rechte vorbehalten/ All rights reserved



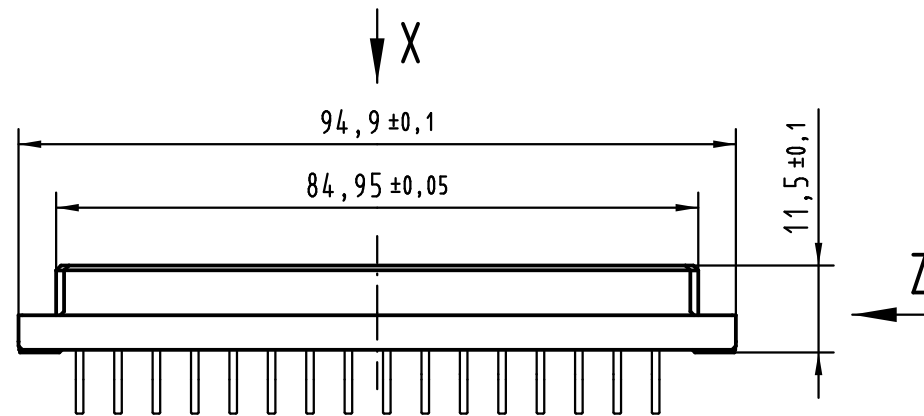
X
Kontaktanordnung
contact arrangement



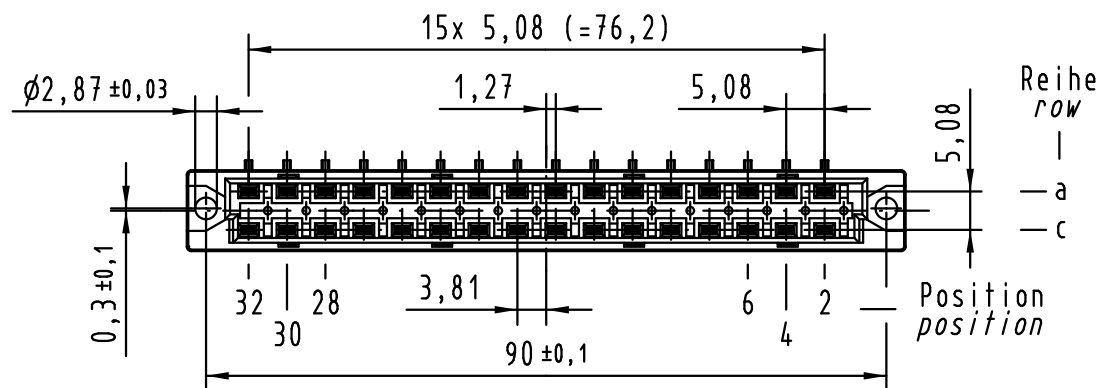
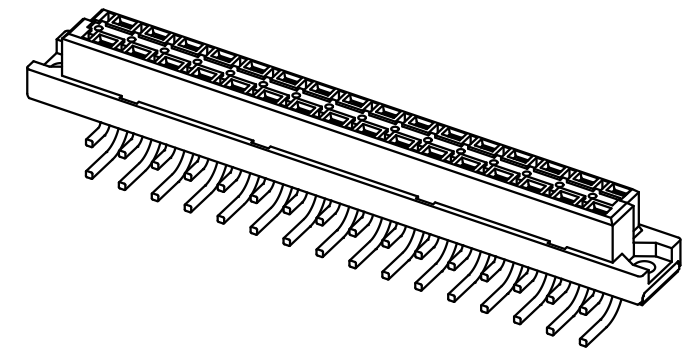
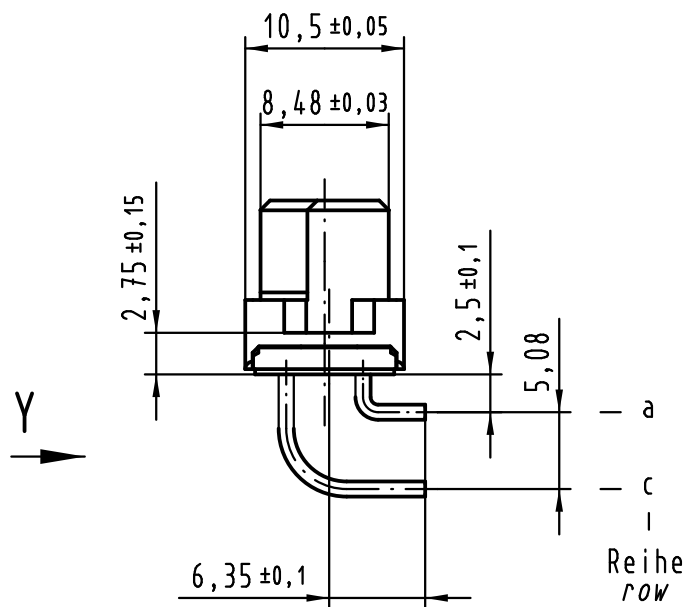
32 Einlöt 1x1 - Kontakte
32 solder 1x1 - contacts

■ = Kontaktposition belegt
= position with contact

□ = Kontaktposition nicht belegt
= position without contact



Z (2:1)



① weitere Informationen siehe: DS 09 04 220 02 01
further information see: DS 09 04 220 02 01

09 04 232 6826	2
09 04 232 2826	1
Bestell-Nr. part-no.	Anforderungsstufe performance level ①

All Dimensions in mm Original Size DIN A 3		Techn. Character.			Nicht tolerierte Maßel Free size tolerances IEC 60603-2	
		Dat.	Name	Maßstab/Scale	Bauform / type D Federleiste Einlöt 1x1 gewinkelt 32-polig female connector solder 1x1 angled 32-pole	
		Detail.	14.08.06 LehT	1:1		
		Insp.	14.08.06 mte			
		Stand.				
36455	24.11.11	Hage.	HARTING Electronics GmbH & Co. KG		TB 09 04 232 x826 Blatt/page	
33859			D-32339 ESPELKAMP			
Mod.	Dat.	Name			Sub. TB 09 04 232 6826 Mod. - v. 04.11.87	