



Chipsmall Limited consists of a professional team with an average of over 10 year of expertise in the distribution of electronic components. Based in Hongkong, we have already established firm and mutual-benefit business relationships with customers from,Europe,America and south Asia,supplying obsolete and hard-to-find components to meet their specific needs.

With the principle of “Quality Parts,Customers Priority,Honest Operation,and Considerate Service”,our business mainly focus on the distribution of electronic components. Line cards we deal with include Microchip,ALPS,ROHM,Xilinx,Pulse,ON,Everlight and Freescale. Main products comprise IC,Modules,Potentiometer,IC Socket,Relay,Connector.Our parts cover such applications as commercial,industrial, and automotives areas.

We are looking forward to setting up business relationship with you and hope to provide you with the best service and solution. Let us make a better world for our industry!



Contact us

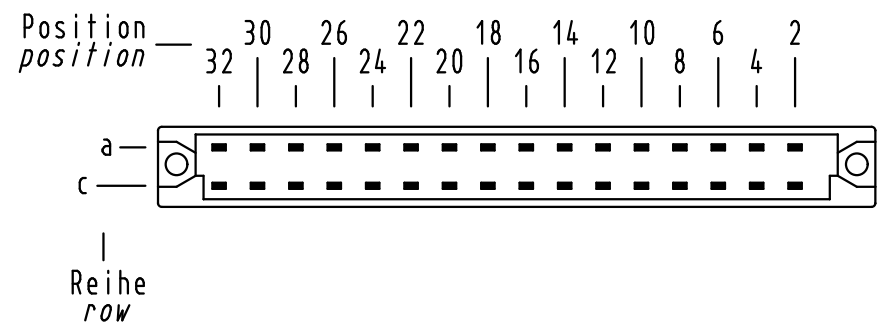
Tel: +86-755-8981 8866 Fax: +86-755-8427 6832

Email & Skype: info@chipsmall.com Web: www.chipsmall.com

Address: A1208, Overseas Decoration Building, #122 Zhenhua RD., Futian, Shenzhen, China



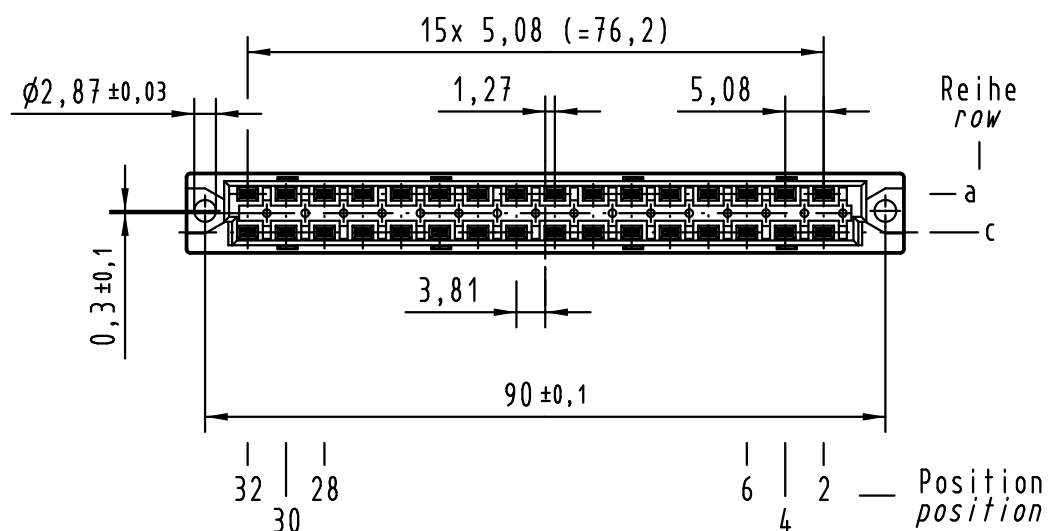
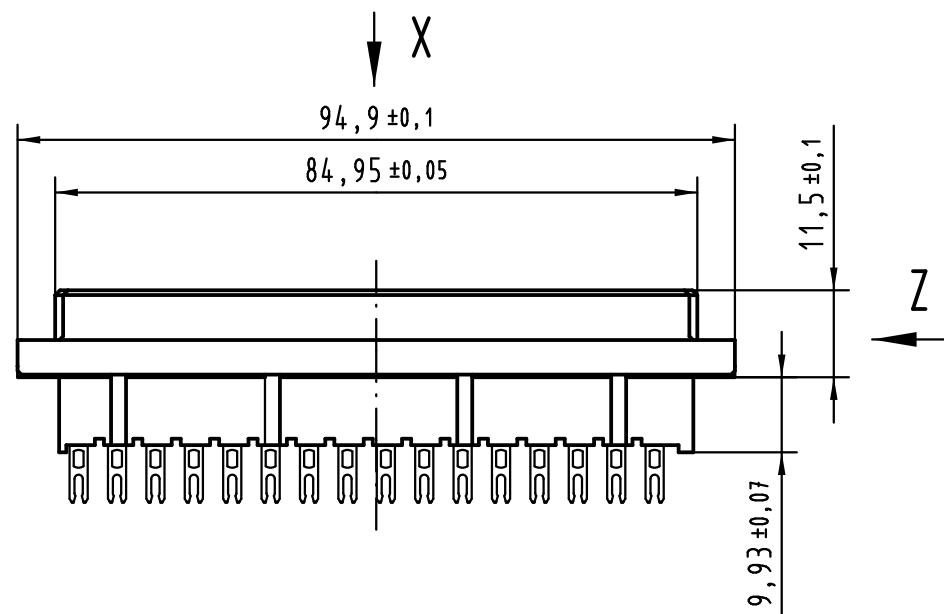
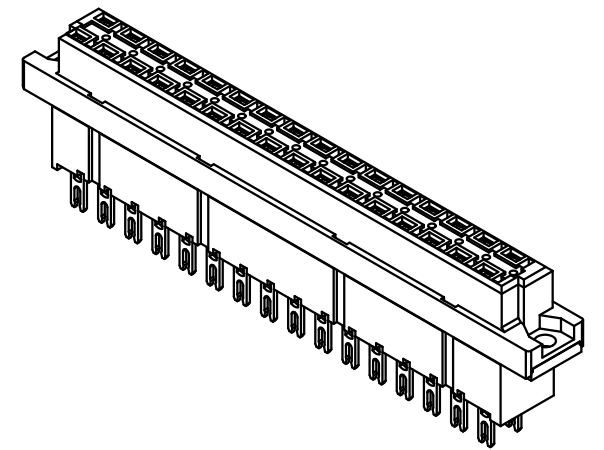
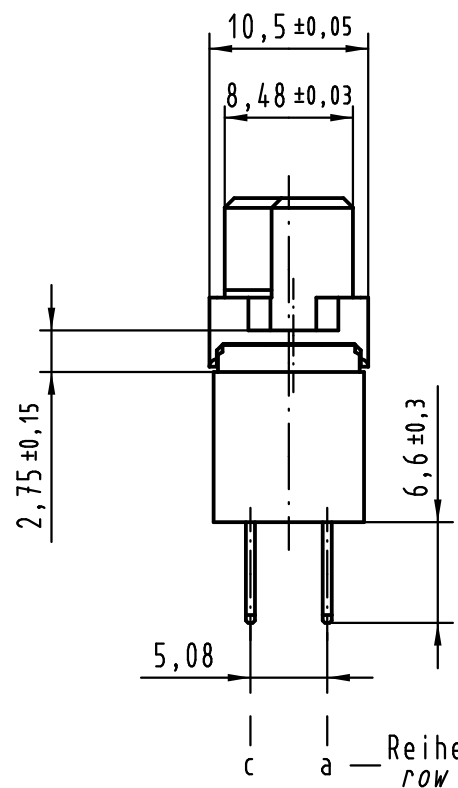
X
Kontaktanordnung
contact arrangement



32 Lötösen - Kontakte
32 solder lug - contacts

- = Kontaktposition belegt
= position with contact
- = Kontaktposition nicht belegt
= position without contact

Z (2:1)



① weitere Informationen siehe: DS 09 04 210 00 01
further information see: DS 09 04 210 00 01

09 04 232 7823	3
09 04 232 6823	2
09 04 232 2823	1
Bestell-Nr. part-no.	Anforderungsstufe performance level ①

All Dimensions in mm Original Size DIN A 3			Techn. Character.			Nicht tolerierte Maß / Free size tolerances ergänzend / complementary IEC 60603-2	
			Dat.	Name	Maßstab / Scale	Bauform / type D Federleiste Lötöse 32 pol. female connector solder lug 32 pol.	
			Detail.	18.08.06 LehT	1:1		
			Insp.	18.08.06 mte			
36455	23.11.11	Hage.	Stand.			TB 09 04 232 x823	
33862							Blatt / page
Mod.	Dat.	Name	HARTING Electronics GmbH & Co. KG D-32339 ESPELKAMP			Sub.	