



Chipsmall Limited consists of a professional team with an average of over 10 year of expertise in the distribution of electronic components. Based in Hongkong, we have already established firm and mutual-benefit business relationships with customers from,Europe,America and south Asia,supplying obsolete and hard-to-find components to meet their specific needs.

With the principle of “Quality Parts,Customers Priority,Honest Operation,and Considerate Service”,our business mainly focus on the distribution of electronic components. Line cards we deal with include Microchip,ALPS,ROHM,Xilinx,Pulse,ON,Everlight and Freescale. Main products comprise IC,Modules,Potentiometer,IC Socket,Relay,Connector.Our parts cover such applications as commercial,industrial, and automotives areas.

We are looking forward to setting up business relationship with you and hope to provide you with the best service and solution. Let us make a better world for our industry!



## Contact us

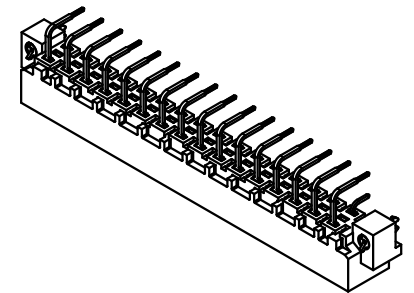
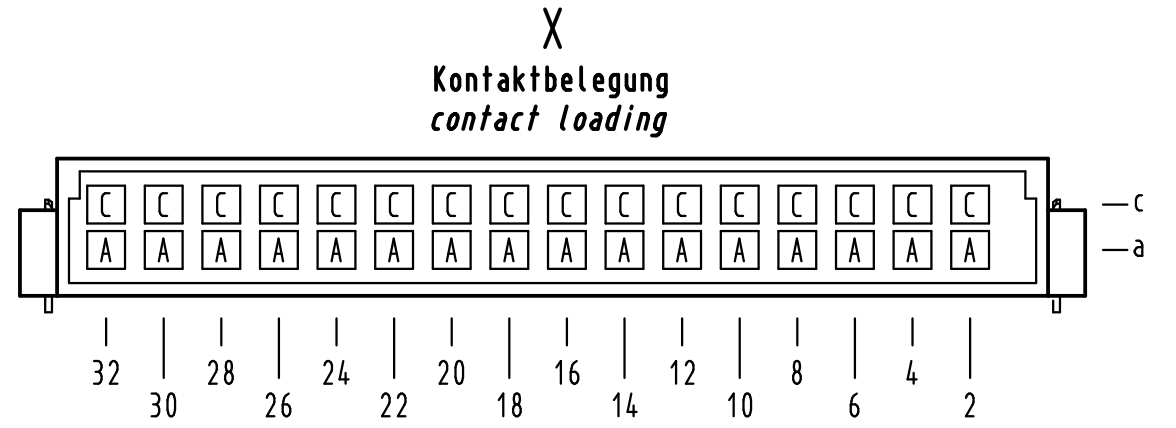
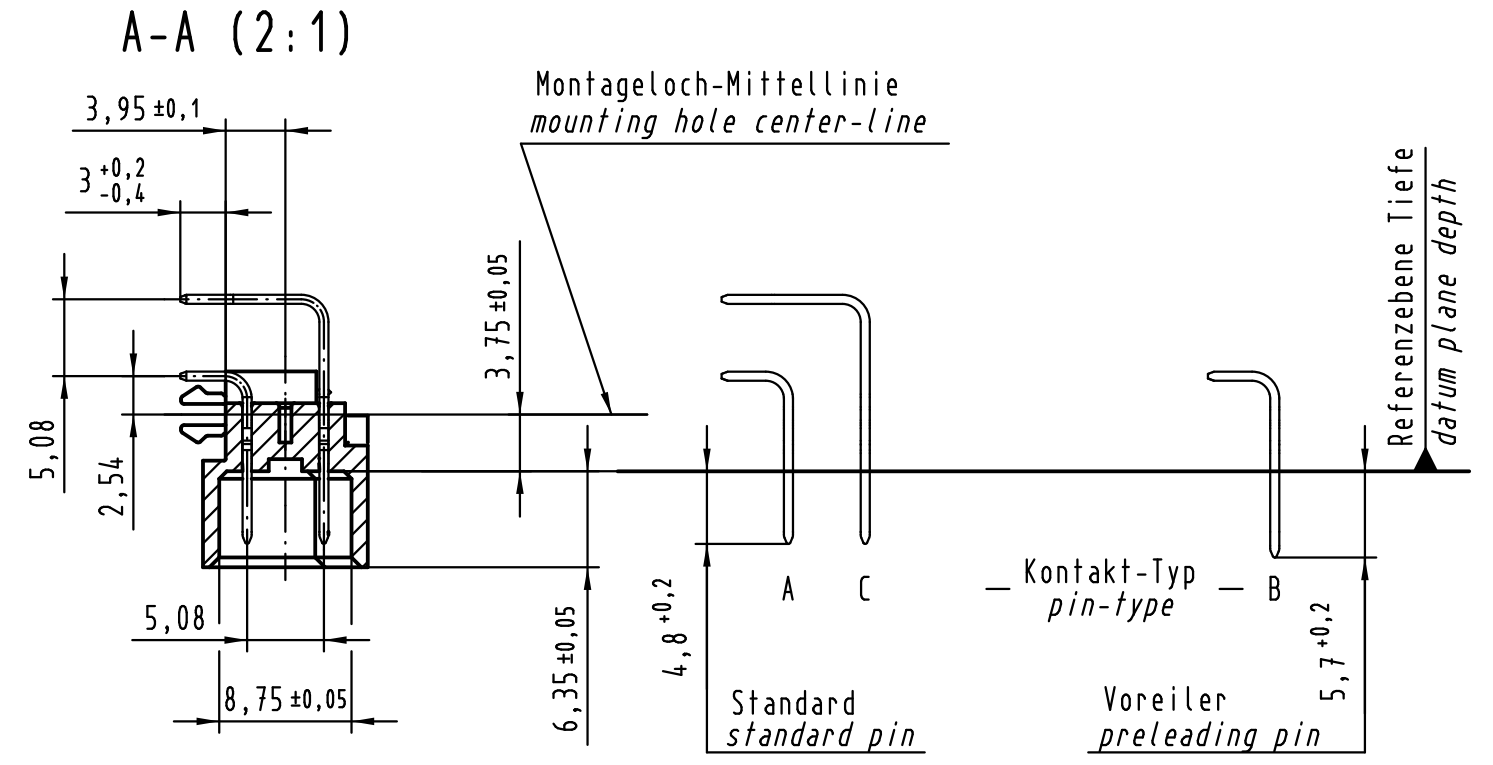
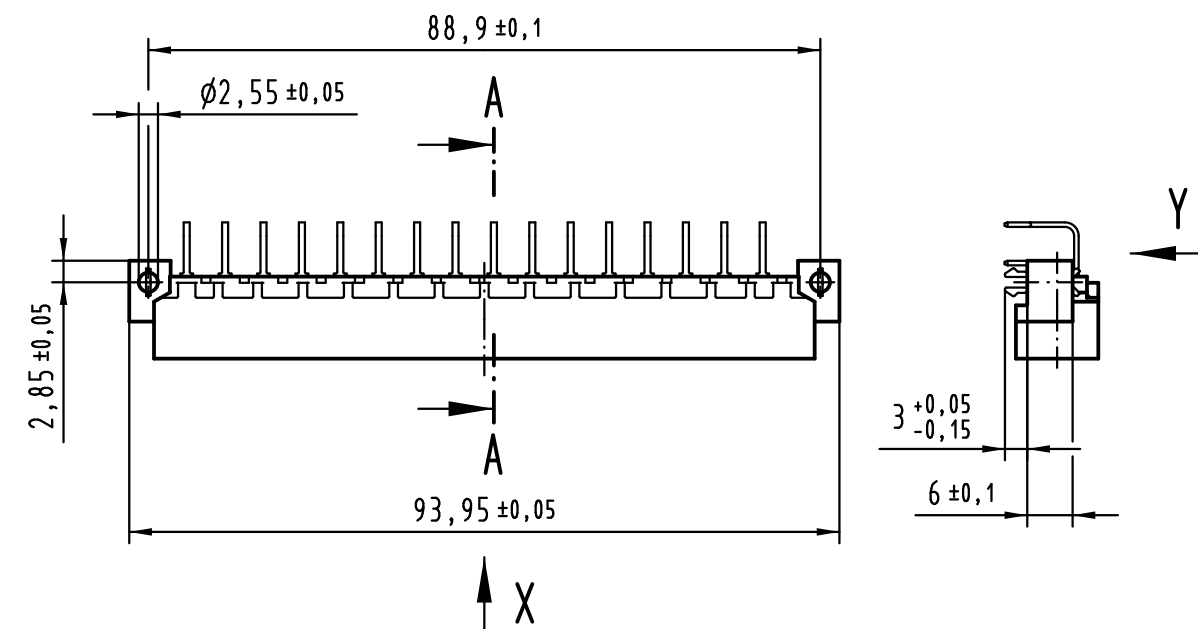
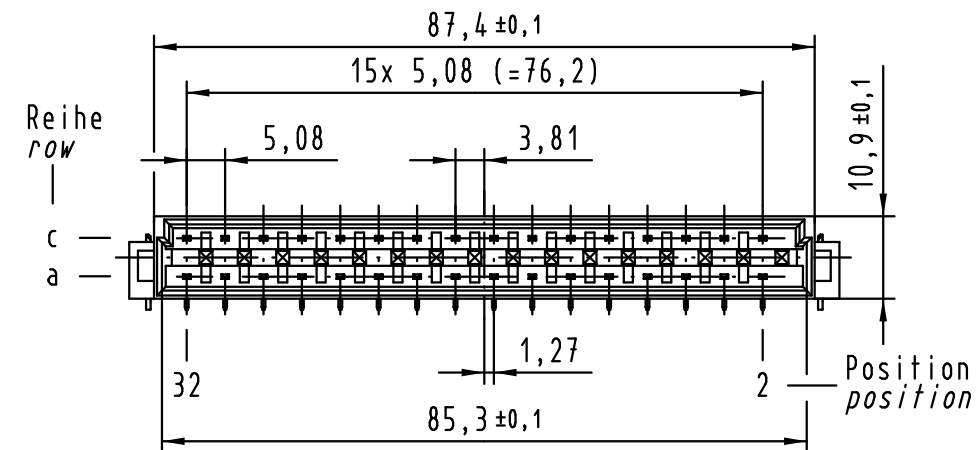
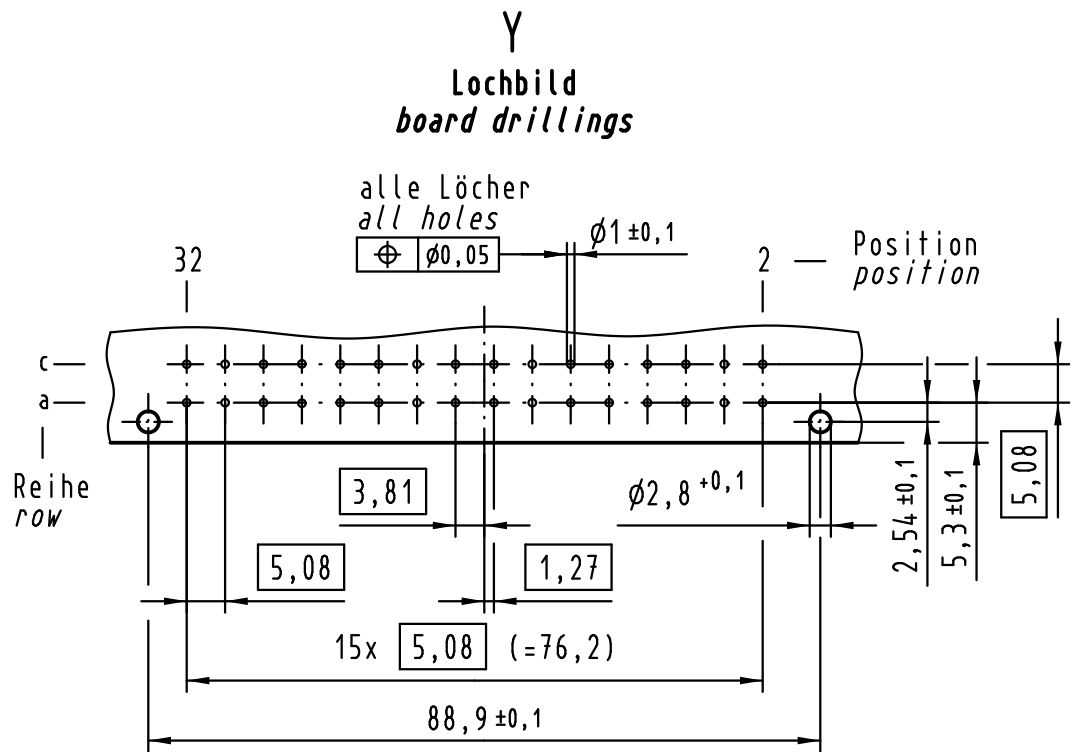
Tel: +86-755-8981 8866 Fax: +86-755-8427 6832

Email & Skype: info@chipsmall.com Web: www.chipsmall.com

Address: A1208, Overseas Decoration Building, #122 Zhenhua RD., Futian, Shenzhen, China



Alle Rechte vorbehalten/ All rights reserved



① weitere Informationen siehe: DS 09 04 103 02 01  
further information see: DS 09 04 103 02 01

09 04 332 6919	2
Bestell-Nr. part-no.	Anforderungsstufe performance level ①

All Dimensions in mm Original Size DIN A 3		Techn. Character.		
Mod.	Dat.	Name	Dat.	Name
36453	21.11.11	Hage.	Detail.	24.01.05 Hage.
35522	07.07.09	Hage.	Insp.	24.01.05 kfoe.
32537			Stand.	
		HARTING Electronics GmbH & Co. KG D-32339 ESPELKAMP		

Nicht tolerierte Maßel/Free size tolerances IEC 60603-2	
<b>Bauform / type D</b> male connector solder angled 5.08 with clip 32-pole SMC	
TB 09 04 332 x919	Blatt/ page
Sub.	

