



Chipsmall Limited consists of a professional team with an average of over 10 year of expertise in the distribution of electronic components. Based in Hongkong, we have already established firm and mutual-benefit business relationships with customers from,Europe,America and south Asia,supplying obsolete and hard-to-find components to meet their specific needs.

With the principle of “Quality Parts,Customers Priority,Honest Operation,and Considerate Service”,our business mainly focus on the distribution of electronic components. Line cards we deal with include Microchip,ALPS,ROHM,Xilinx,Pulse,ON,Everlight and Freescale. Main products comprise IC,Modules,Potentiometer,IC Socket,Relay,Connector.Our parts cover such applications as commercial,industrial, and automotives areas.

We are looking forward to setting up business relationship with you and hope to provide you with the best service and solution. Let us make a better world for our industry!



Contact us

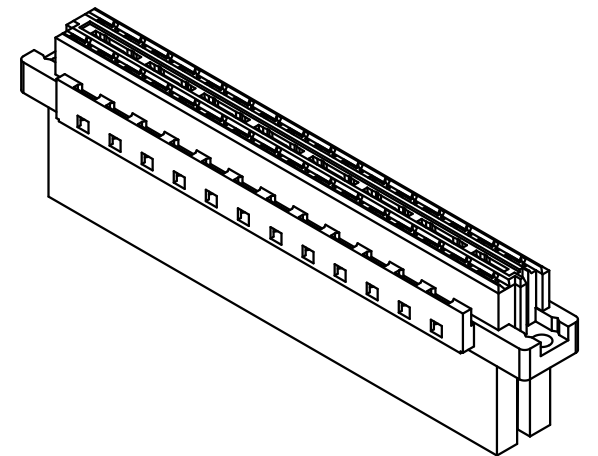
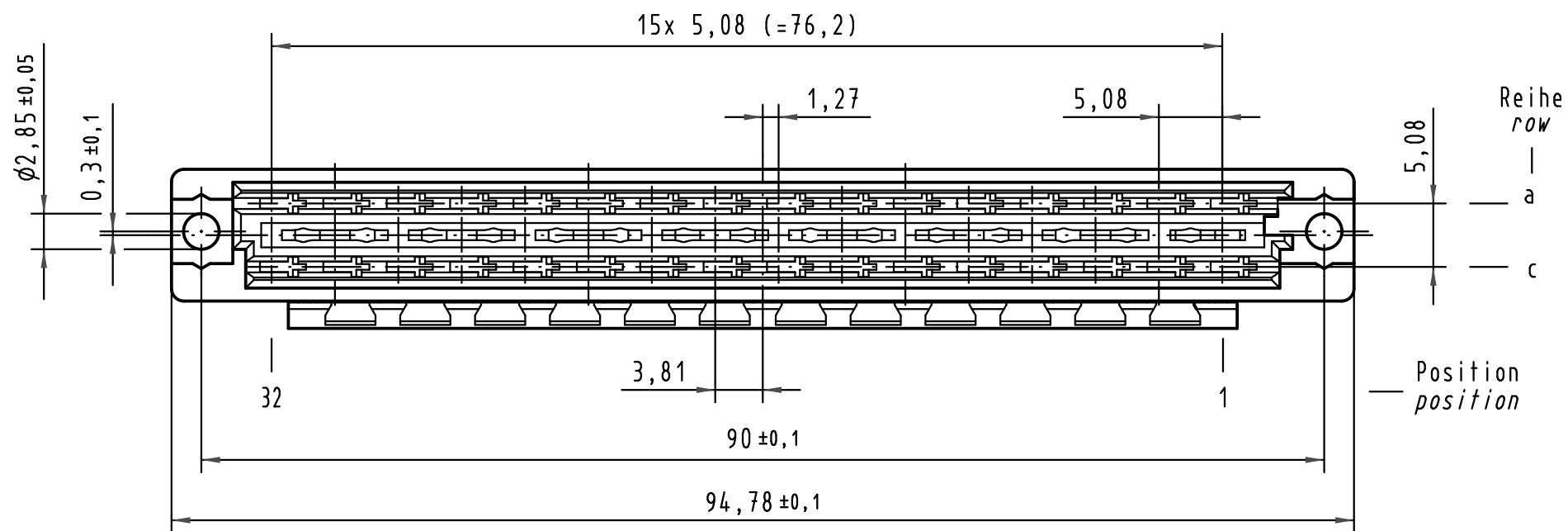
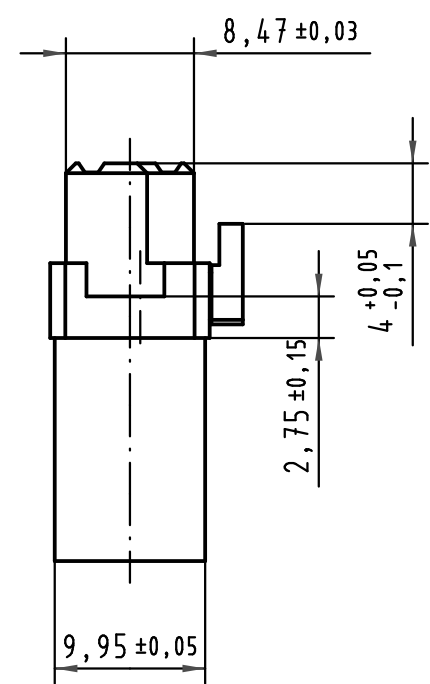
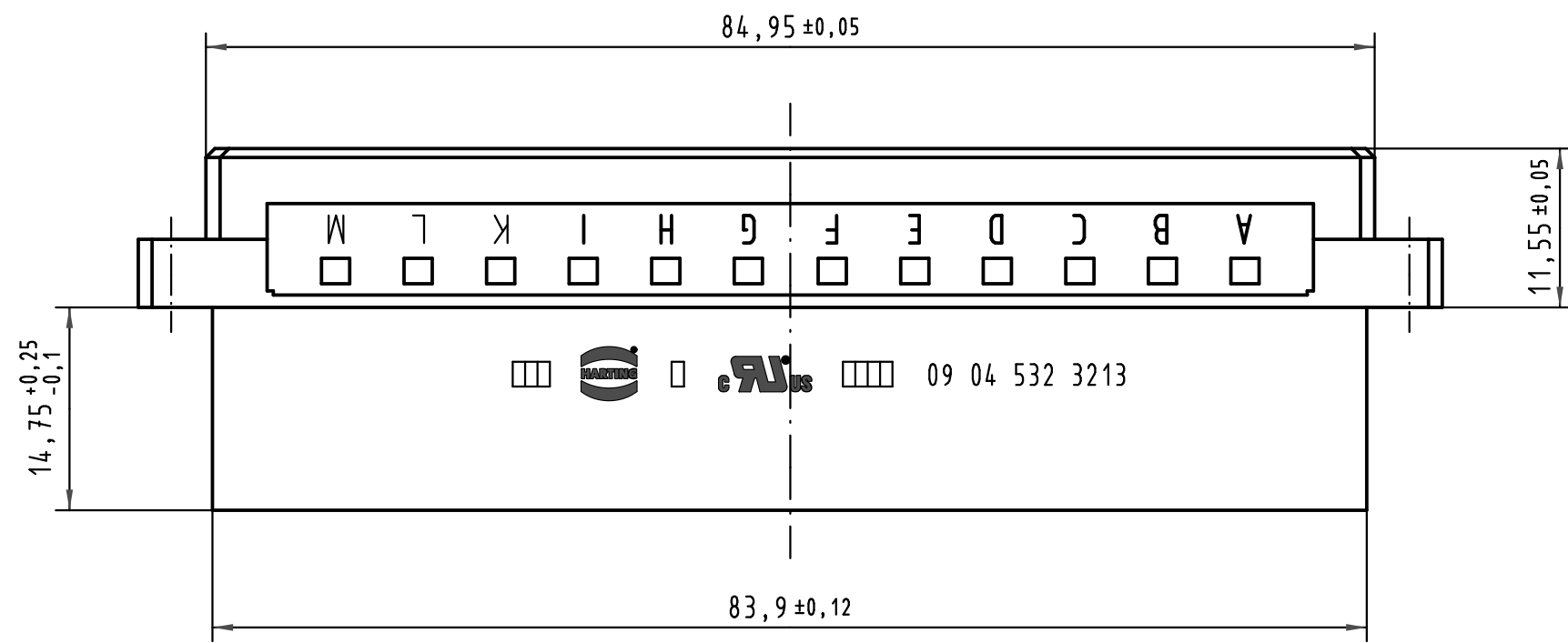
Tel: +86-755-8981 8866 Fax: +86-755-8427 6832

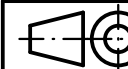

Email & Skype: info@chipsmall.com Web: www.chipsmall.com

Address: A1208, Overseas Decoration Building, #122 Zhenhua RD., Futian, Shenzhen, China



Alle Rechte vorbehalten/ All rights reserved



 All Dimensions in mm Original Size DIN A 3			Techn. Character.			Nicht tolerierte Maße / Free size tolerances ergänzend/complementary IEC 60603-2		
						Maßstab/Scale 2:1	Bauform/type D Federleiste Crimp mit Codierung female connector crimp with coding	
			Detail.	18.10.06	Leh.			
			Insp.	18.10.06	mte			
			Stand.					
36202	21.12.10	Hage.	HARTING Electronics GmbH & Co. KG				TB 09 04 532 3213	
33170			D-32339 ESPELKAMP					
Mod.	Dat.	Name					Sub.	