



Chipsmall Limited consists of a professional team with an average of over 10 year of expertise in the distribution of electronic components. Based in Hongkong, we have already established firm and mutual-benefit business relationships with customers from,Europe,America and south Asia,supplying obsolete and hard-to-find components to meet their specific needs.

With the principle of “Quality Parts,Customers Priority,Honest Operation,and Considerate Service”,our business mainly focus on the distribution of electronic components. Line cards we deal with include Microchip,ALPS,ROHM,Xilinx,Pulse,ON,Everlight and Freescale. Main products comprise IC,Modules,Potentiometer,IC Socket,Relay,Connector.Our parts cover such applications as commercial,industrial, and automotives areas.

We are looking forward to setting up business relationship with you and hope to provide you with the best service and solution. Let us make a better world for our industry!



## Contact us

Tel: +86-755-8981 8866 Fax: +86-755-8427 6832

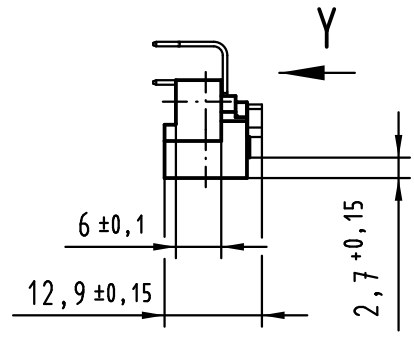
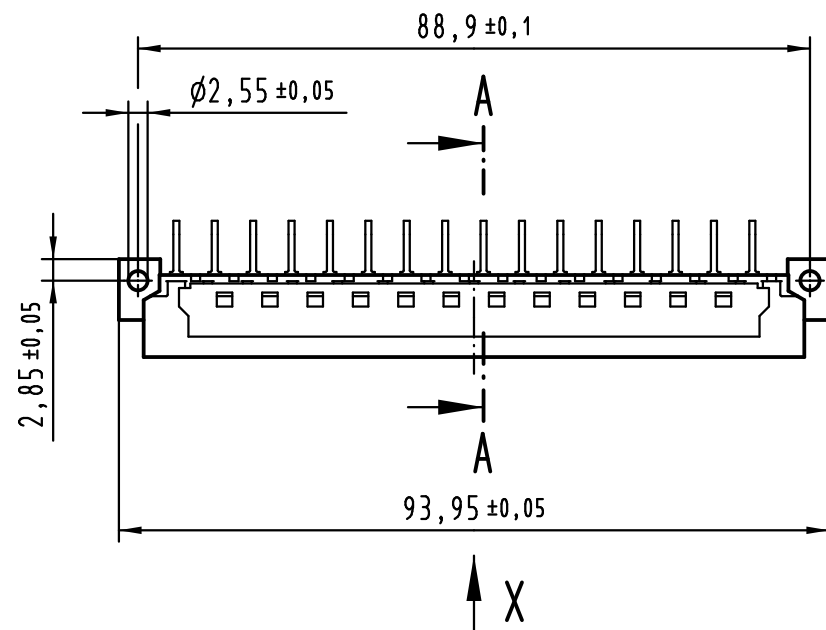
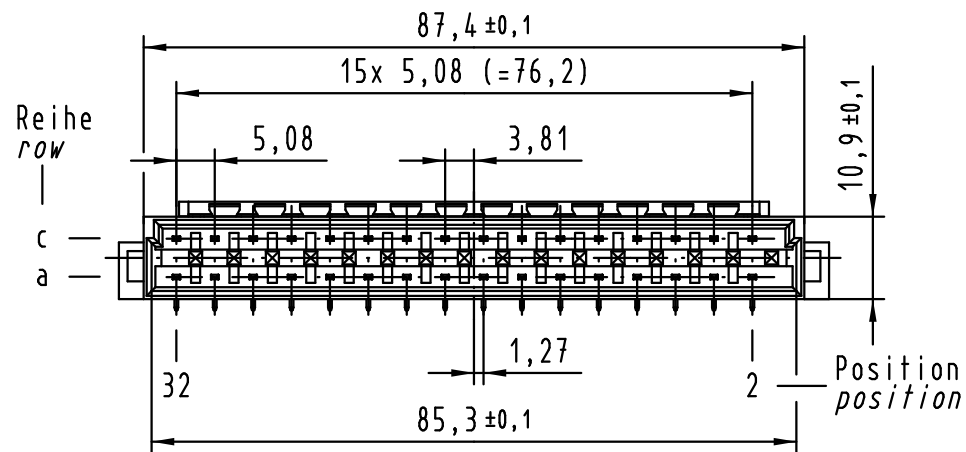
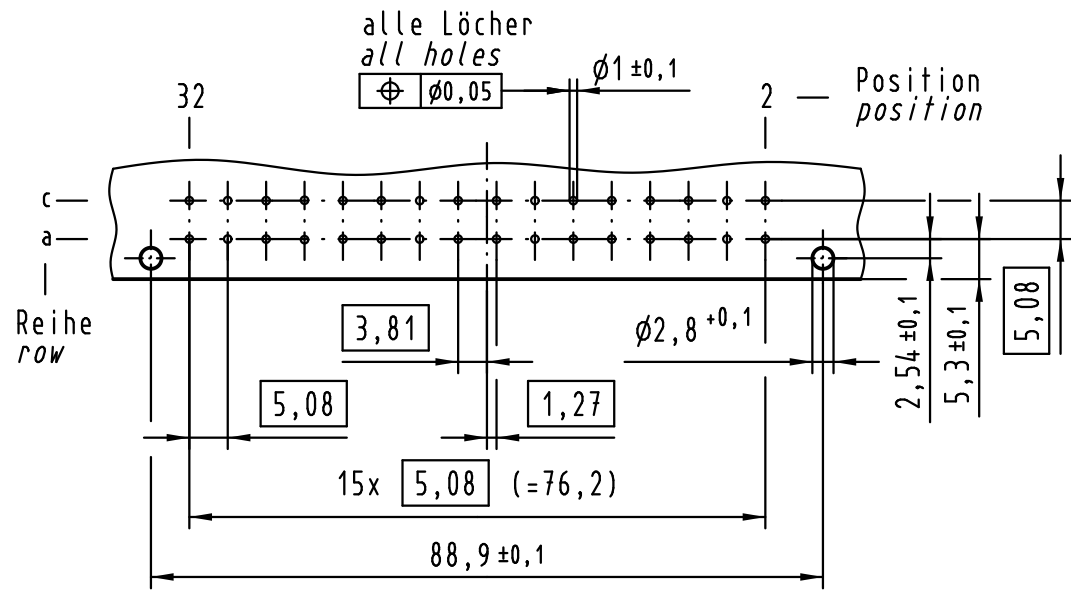
Email & Skype: info@chipsmall.com Web: www.chipsmall.com

Address: A1208, Overseas Decoration Building, #122 Zhenhua RD., Futian, Shenzhen, China

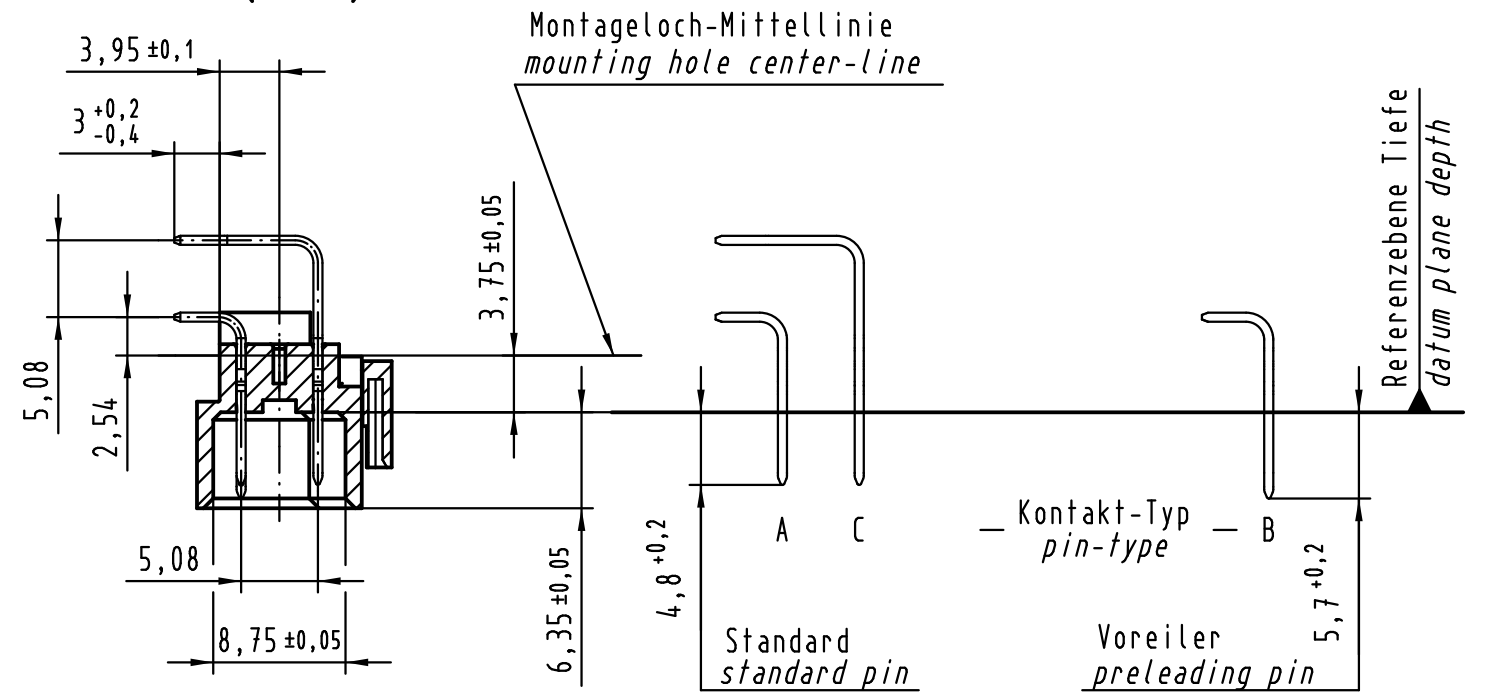


Alle Rechte vorbehalten/ All rights reserved

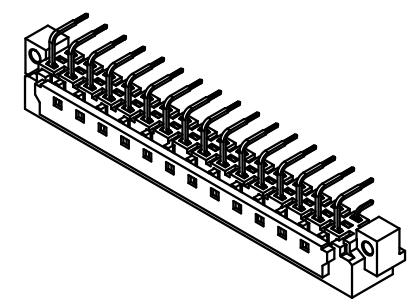
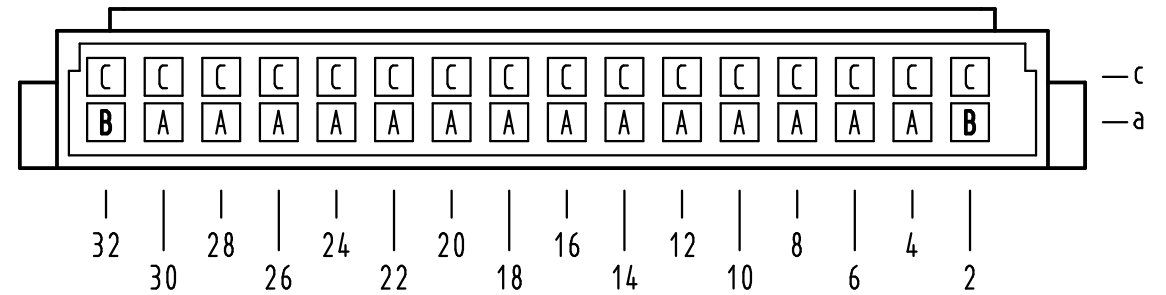
### Y Lochbild board drillings



### A-A (2:1)



### X Kontaktbelegung contact loading



① weitere Informationen siehe: DS 09 04 100 02 01  
further information see: DS 09 04 100 02 01

09 04 632 6951	2
09 04 632 2951	1
Bestell-Nr. part-no.	Anforderungsstufe performance level ①

All Dimensions in mm Original Size DIN A 3		Techn. Character.		
		Dat.	Name	Maßstab/Scale
		Detail.	28.01.05 Hage.	1:1
		Insp.	28.01.05 kfoe.	
		Stand.		
36453	21.11.11	Hage.		
35522	07.07.09	Hage.		
32537				
Mod.	Dat.	Name	HARTING Electronics GmbH & Co. KG D-32339 ESPELKAMP	

Nicht tolerierte Maßel/Free size tolerances IEC 60603-2	
<b>Bauform / type D</b> <b>male connector solder angled 5.08</b> <b>with coding 32-pole</b>	
TB 09 04 632 x951	Blatt/ page
Sub.	