



Chipsmall Limited consists of a professional team with an average of over 10 year of expertise in the distribution of electronic components. Based in Hongkong, we have already established firm and mutual-benefit business relationships with customers from,Europe,America and south Asia,supplying obsolete and hard-to-find components to meet their specific needs.

With the principle of “Quality Parts,Customers Priority,Honest Operation,and Considerate Service”,our business mainly focus on the distribution of electronic components. Line cards we deal with include Microchip,ALPS,ROHM,Xilinx,Pulse,ON,Everlight and Freescale. Main products comprise IC,Modules,Potentiometer,IC Socket,Relay,Connector.Our parts cover such applications as commercial,industrial, and automotives areas.

We are looking forward to setting up business relationship with you and hope to provide you with the best service and solution. Let us make a better world for our industry!



Contact us

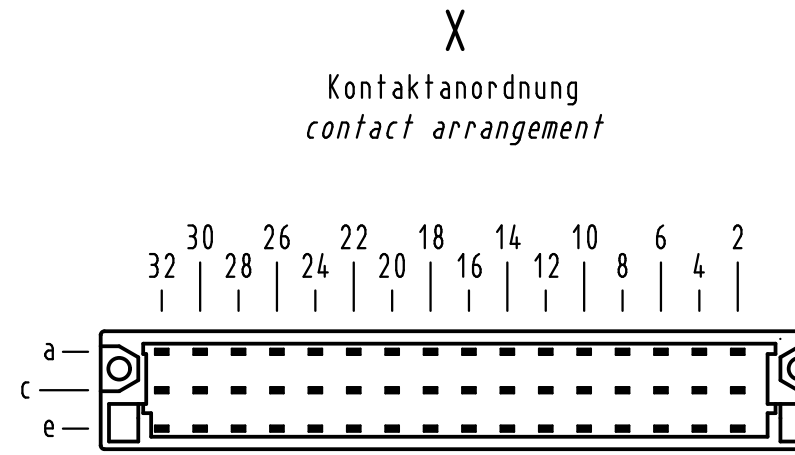
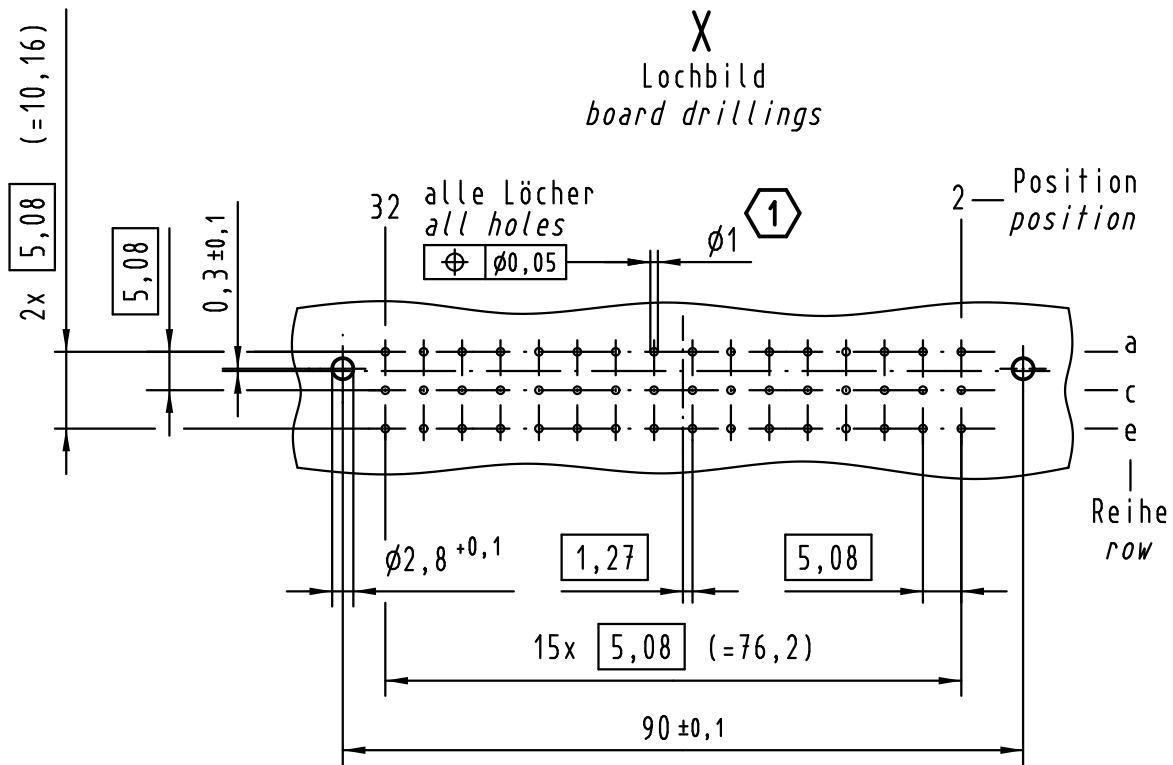
Tel: +86-755-8981 8866 Fax: +86-755-8427 6832

Email & Skype: info@chipsmall.com Web: www.chipsmall.com

Address: A1208, Overseas Decoration Building, #122 Zhenhua RD., Futian, Shenzhen, China



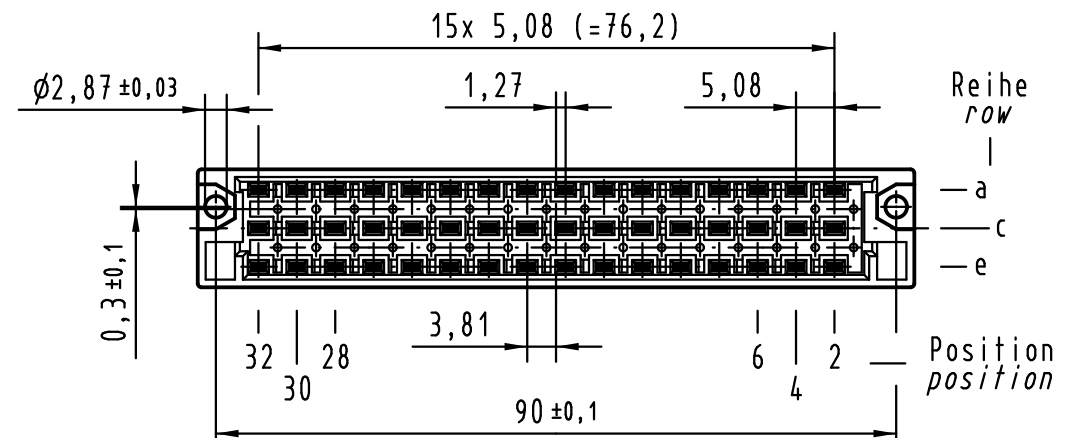
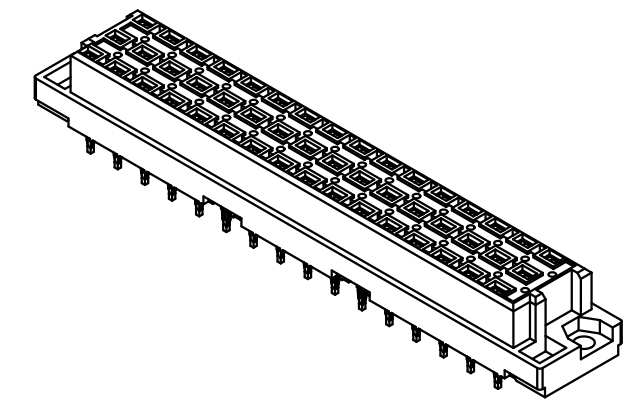
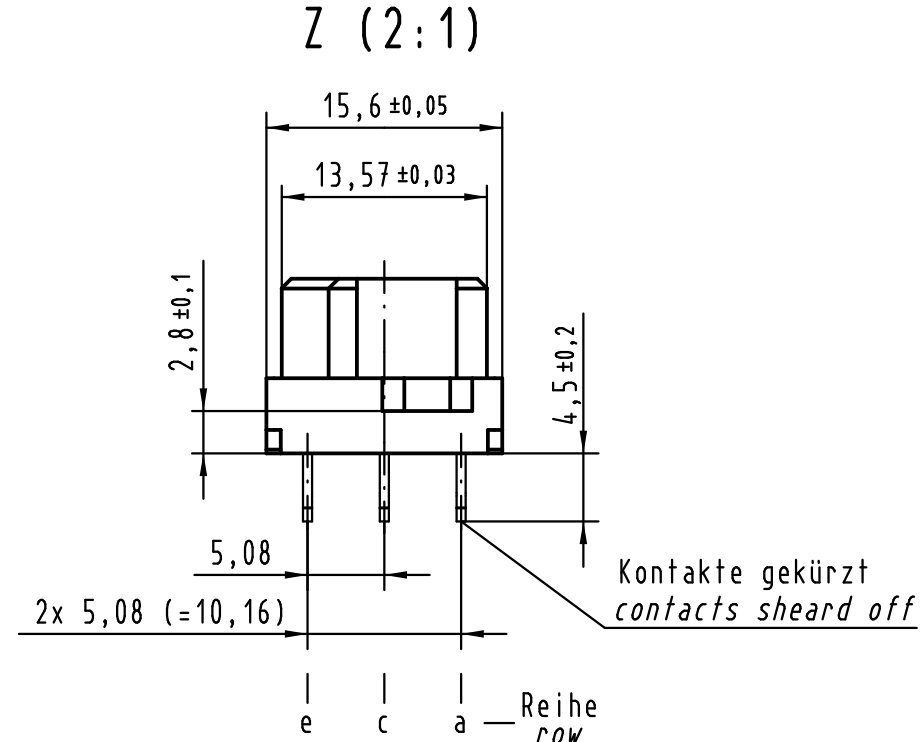
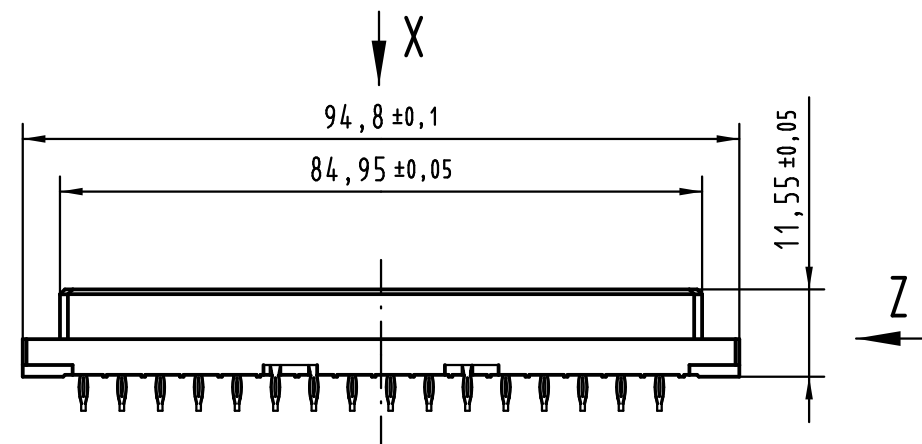
Alle Rechte vorbehalten. All rights reserved



48 Einpress Kontakte
48 press-in contacts

■ = Kontaktposition belegt
= position with contact

□ = Kontaktposition nicht belegt
= position without contact



Empfohlener Lochaufbau und weitere Informationen siehe: DS 09 05 210 01 01
recommended configuration of plated through holes and further information see: DS 09 05 210 01 01

09 05 248 2854	1
Bestell-Nr. part-no.	Anforderungsstufe performance level 1

All Dimensions in mm Original Size DIN A 3		Techn. Character.		
		Dat.	Name	Maßstab/Scale
		Detail.	27.06.06 Hage.	1:1
		Insp.	27.09.06 Leht	
		Stand.		
36466	14.12.11	Hage.		
33910		HARTING Electronics GmbH & Co. KG		
Mod.	Dat.	Name	D-32339 ESPELKAMP	

Nicht tolerierte Maße / Free size tolerances IEC 60603-2	
Bauform / type E	
Federleiste Einpress 4,5 48-polig female connector press-in 4.5 48-pole	
TB 09 05 248 x854	Blatt / page
Sub.	

