



Chipsmall Limited consists of a professional team with an average of over 10 year of expertise in the distribution of electronic components. Based in Hongkong, we have already established firm and mutual-benefit business relationships with customers from,Europe,America and south Asia,supplying obsolete and hard-to-find components to meet their specific needs.

With the principle of "Quality Parts,Customers Priority,Honest Operation,and Considerate Service",our business mainly focus on the distribution of electronic components. Line cards we deal with include Microchip,ALPS,ROHM,Xilinx,Pulse,ON,Everlight and Freescale. Main products comprise IC,Modules,Potentiometer,IC Socket,Relay,Connector.Our parts cover such applications as commercial,industrial, and automotives areas.

We are looking forward to setting up business relationship with you and hope to provide you with the best service and solution. Let us make a better world for our industry!



## Contact us

Tel: +86-755-8981 8866 Fax: +86-755-8427 6832

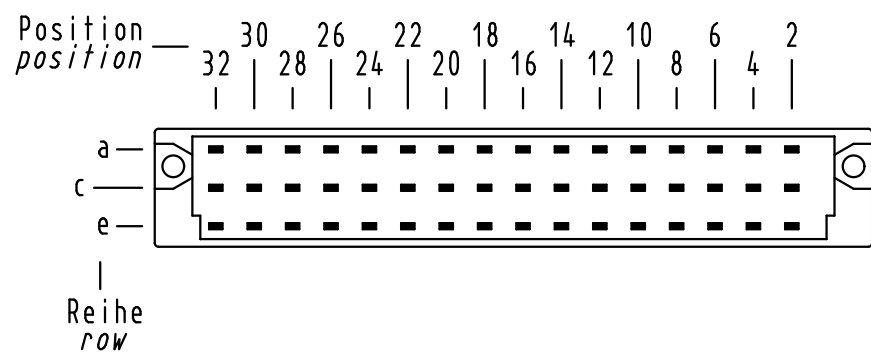
Email & Skype: info@chipsmall.com Web: www.chipsmall.com

Address: A1208, Overseas Decoration Building, #122 Zhenhua RD., Futian, Shenzhen, China

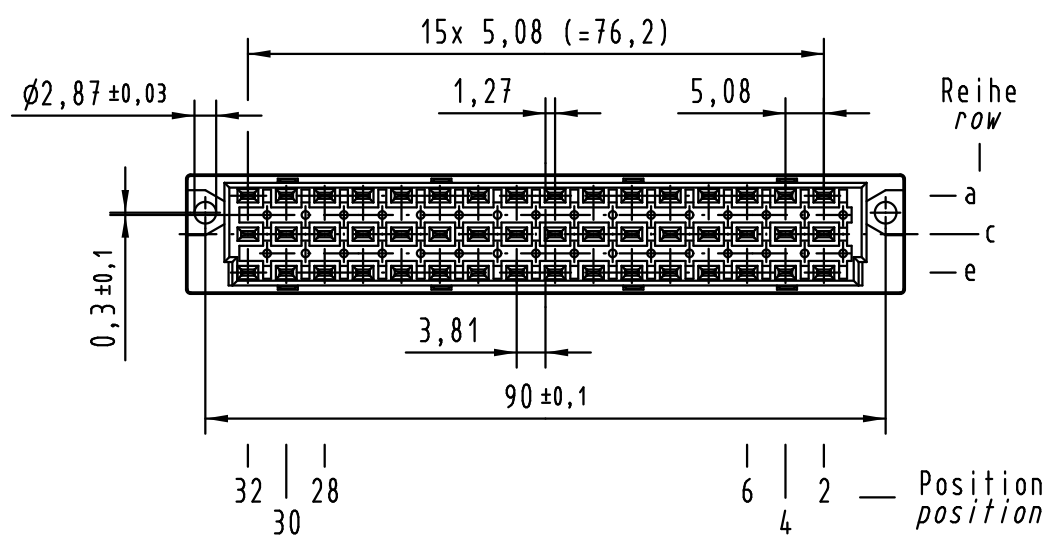
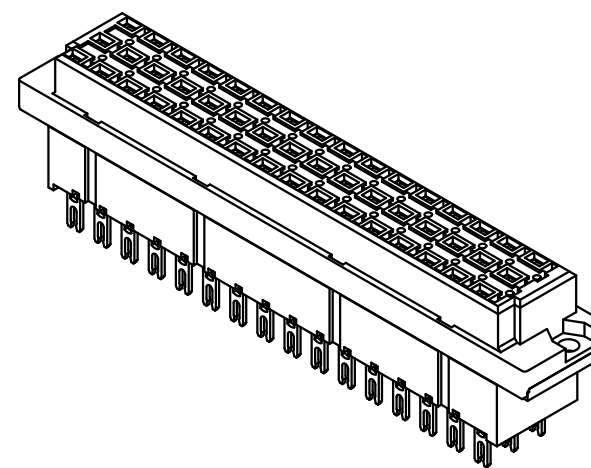
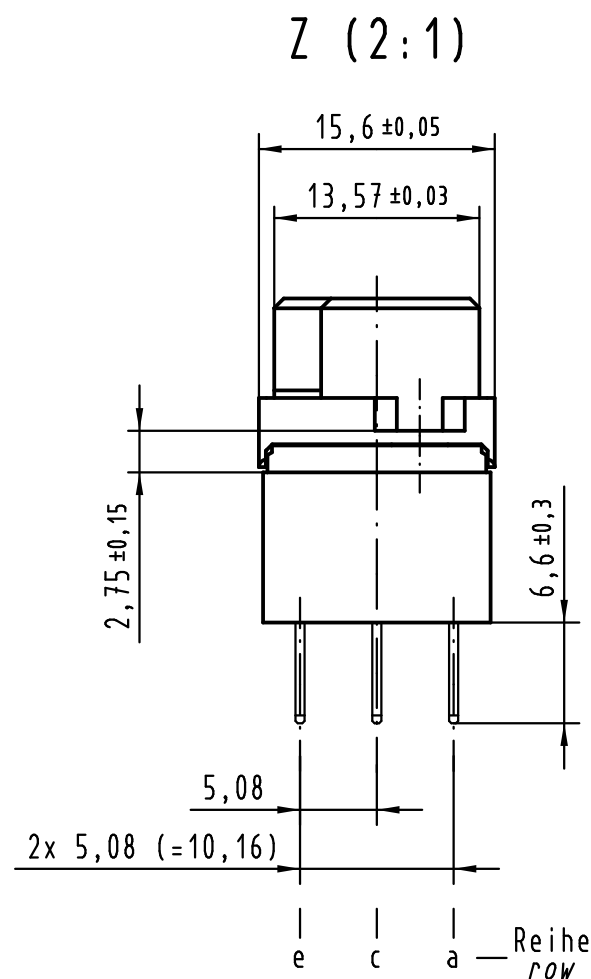
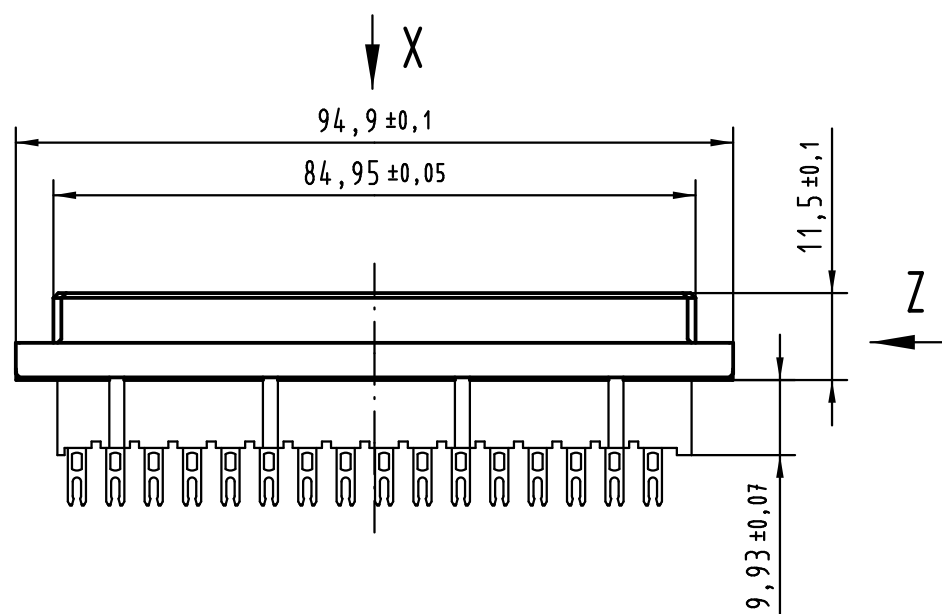


**X**  
Kontaktanordnung  
contact arrangement

48 Lötösen - Kontakte  
48 solder lug - contacts



- = Kontaktposition belegt  
= position with contact
- = Kontaktposition nicht belegt  
= position without contact



① weitere Informationen siehe: DS 09 04 210 00 01  
further information see: DS 09 04 210 00 01

09 05 248 7823	3
09 05 248 6823	2
09 05 248 2823	1
Bestell-Nr. part-no.	Anforderungsstufe performance level ①

All Dimensions in mm Original Size DIN A 3		Techn. Character.		Nicht tolerierte Maße / Free size tolerances ergänzend / complementary IEC 60603-2	
		Dat.	Name	Maßstab / Scale	
		Detail.	27.10.05 Re	1:1	
		Insp.	27.10.05 kfoe		
		Stand.			
36466	12.12.11	Hage.		<b>Bauform / type E</b> Federleiste Lötöse 48-polig female connector solder lug 48-pole	
33728	11.08.06	LehT			
32942					
Mod.	Dat.	Name	HARTING Electronics GmbH & Co. KG D-32339 ESPELKAMP		TB 09 05 248 x823 Blatt / page
					Sub.