



Chipsmall Limited consists of a professional team with an average of over 10 year of expertise in the distribution of electronic components. Based in Hongkong, we have already established firm and mutual-benefit business relationships with customers from,Europe,America and south Asia,supplying obsolete and hard-to-find components to meet their specific needs.

With the principle of “Quality Parts,Customers Priority,Honest Operation,and Considerate Service”,our business mainly focus on the distribution of electronic components. Line cards we deal with include Microchip,ALPS,ROHM,Xilinx,Pulse,ON,Everlight and Freescale. Main products comprise IC,Modules,Potentiometer,IC Socket,Relay,Connector.Our parts cover such applications as commercial,industrial, and automotives areas.

We are looking forward to setting up business relationship with you and hope to provide you with the best service and solution. Let us make a better world for our industry!



## Contact us

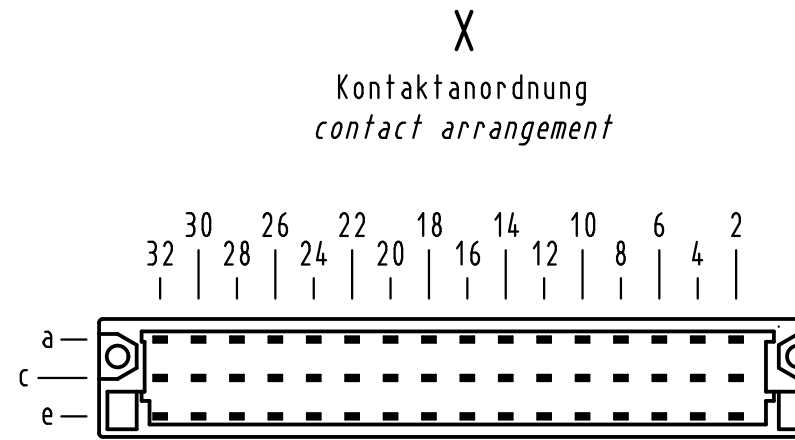
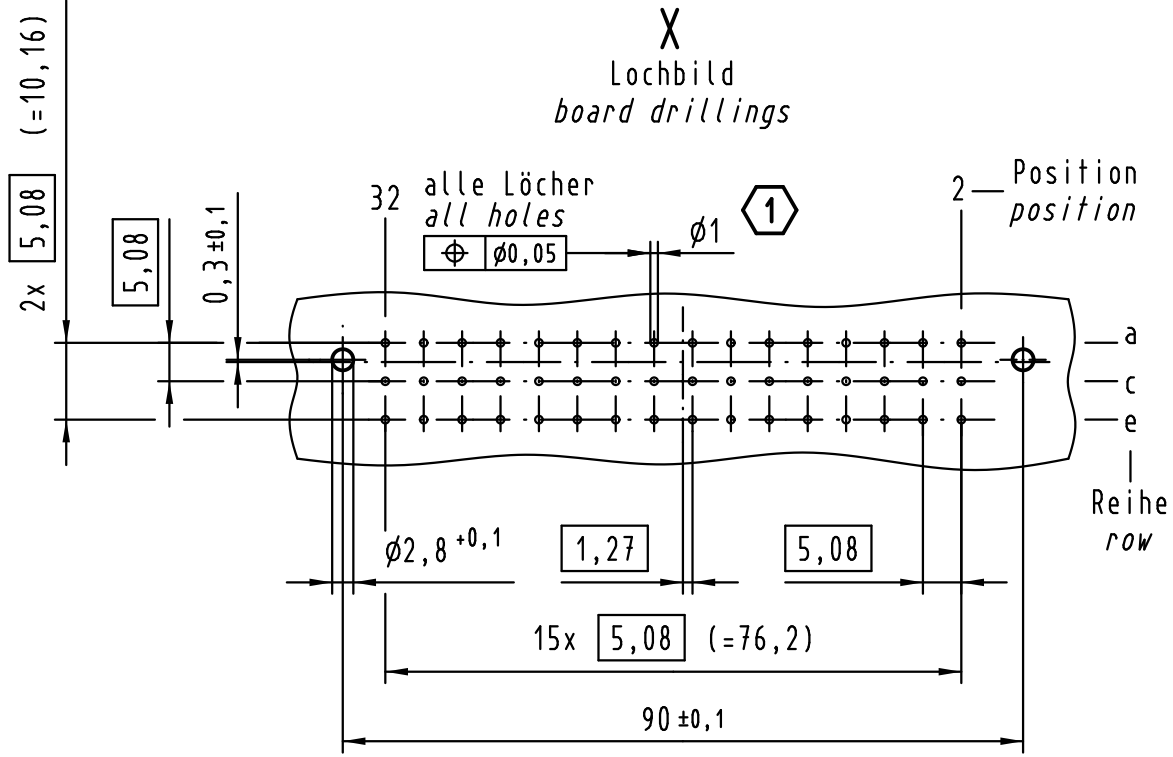
Tel: +86-755-8981 8866 Fax: +86-755-8427 6832

Email & Skype: info@chipsmall.com Web: www.chipsmall.com

Address: A1208, Overseas Decoration Building, #122 Zhenhua RD., Futian, Shenzhen, China

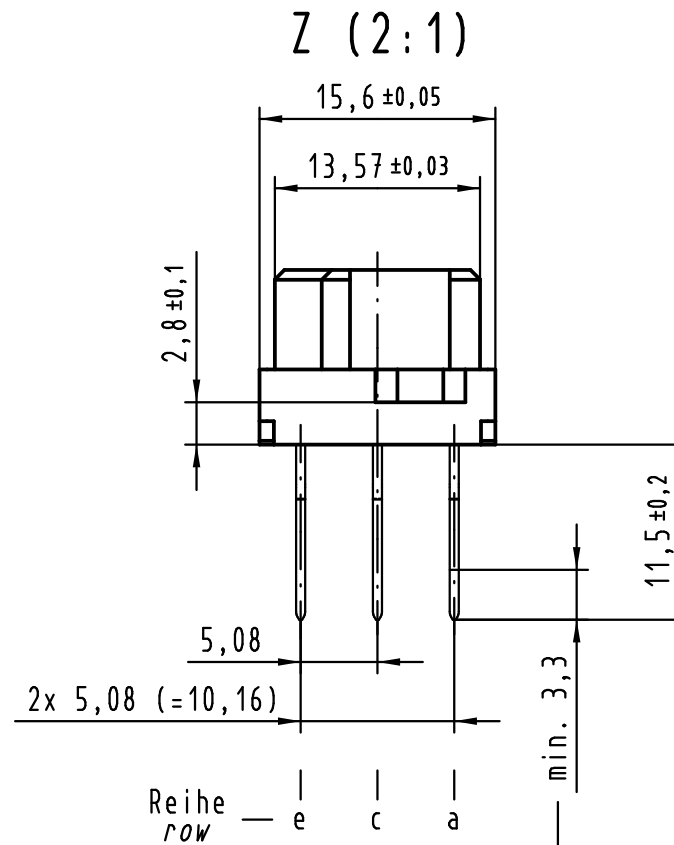
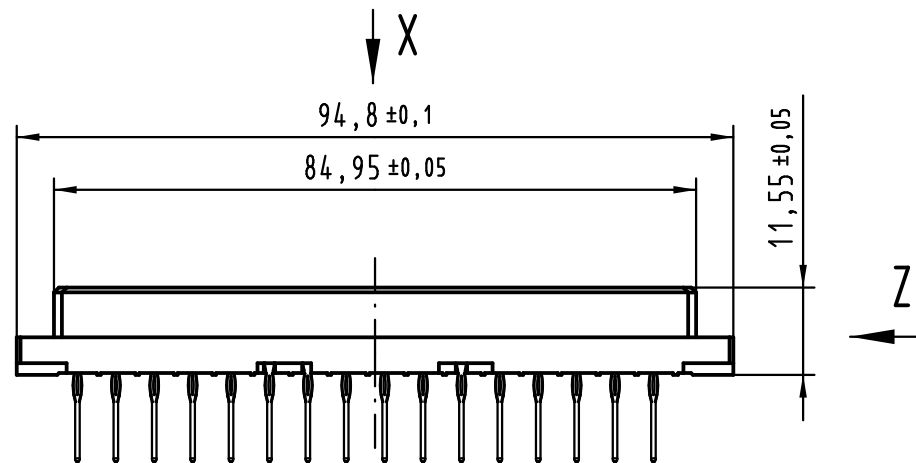


Alle Rechte vorbehalten/ All rights reserved

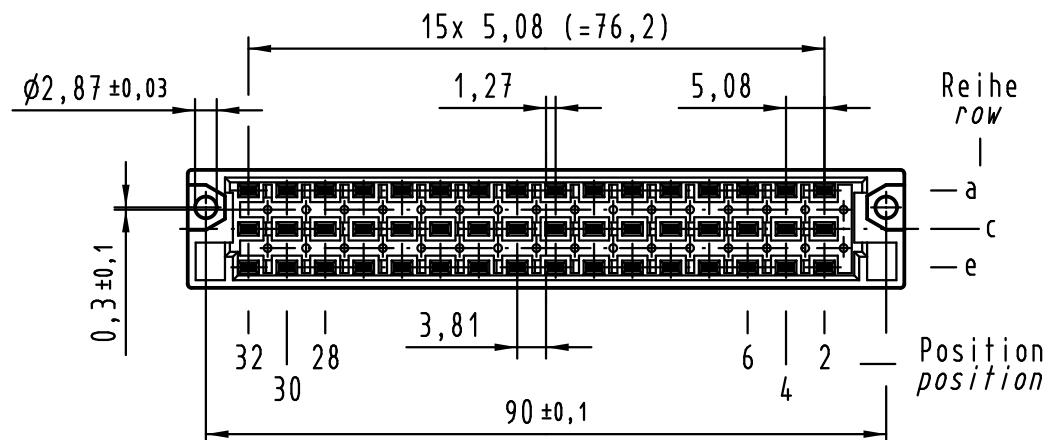
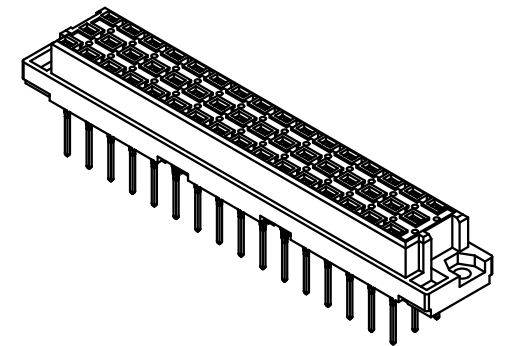


48 Einpress Kontakte  
48 press-in contacts

- = Kontaktposition belegt  
= position with contact
- = Kontaktposition nicht belegt  
= position without contact



Steckbereich entspricht AFS 2  
mating zone equal pl 2



**1** Empfohlener Lochaufbau und weitere Informationen siehe: DS 09 05 210 01 01  
recommended configuration of plated through holes and further information see: DS 09 05 210 01 01

09 05 248 6851	2
09 05 248 2851	1
Bestell-Nr. part-no.	Anforderungsstufe performance level <b>1</b>

All Dimensions in mm Original Size DIN A 3		Techn. Character.		
Mod.	Dat.	Name	Dat.	Name
36466	13.12.11	Hage.	Detail.	27.06.06 Hage.
34206	06.02.07	Hage.	Insp.	27.09.06 LeHT
33910			Stand.	
		HARTING Electronics GmbH & Co. KG D-32339 ESPELKAMP		

Nicht tolerierte Maßel Free size tolerances IEC 60603-2	
<b>Bauform / type E</b> female connector press-in 11.5 48-pole termination gold-plated	
TB 09 05 248 x851	Blatt/ page
Sub.	

