



Chipsmall Limited consists of a professional team with an average of over 10 year of expertise in the distribution of electronic components. Based in Hongkong, we have already established firm and mutual-benefit business relationships with customers from,Europe,America and south Asia,supplying obsolete and hard-to-find components to meet their specific needs.

With the principle of “Quality Parts,Customers Priority,Honest Operation,and Considerate Service”,our business mainly focus on the distribution of electronic components. Line cards we deal with include Microchip,ALPS,ROHM,Xilinx,Pulse,ON,Everlight and Freescale. Main products comprise IC,Modules,Potentiometer,IC Socket,Relay,Connector.Our parts cover such applications as commercial,industrial, and automotives areas.

We are looking forward to setting up business relationship with you and hope to provide you with the best service and solution. Let us make a better world for our industry!



Contact us

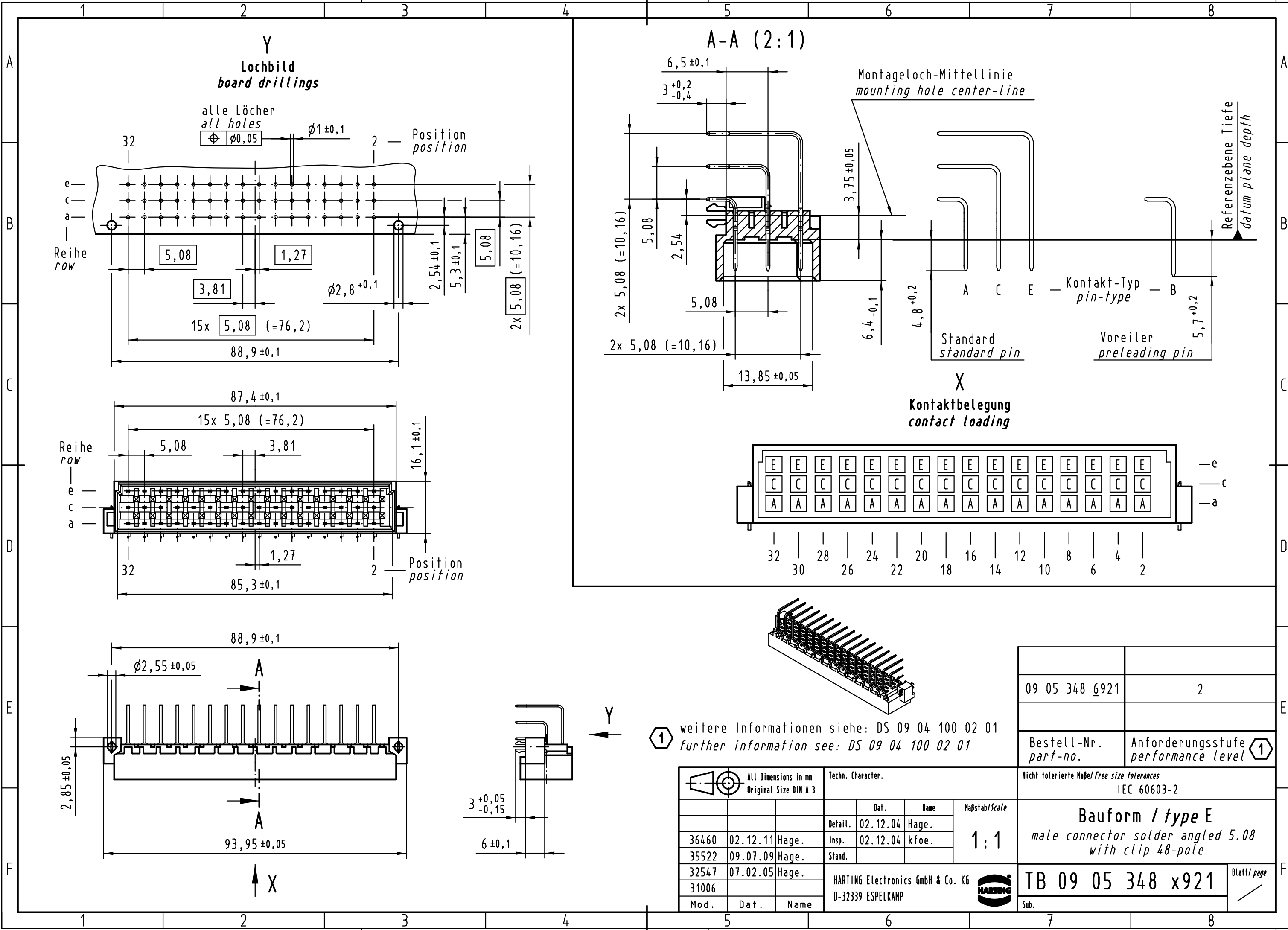
Tel: +86-755-8981 8866 Fax: +86-755-8427 6832

Email & Skype: info@chipsmall.com Web: www.chipsmall.com

Address: A1208, Overseas Decoration Building, #122 Zhenhua RD., Futian, Shenzhen, China



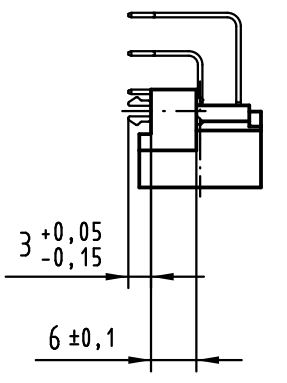
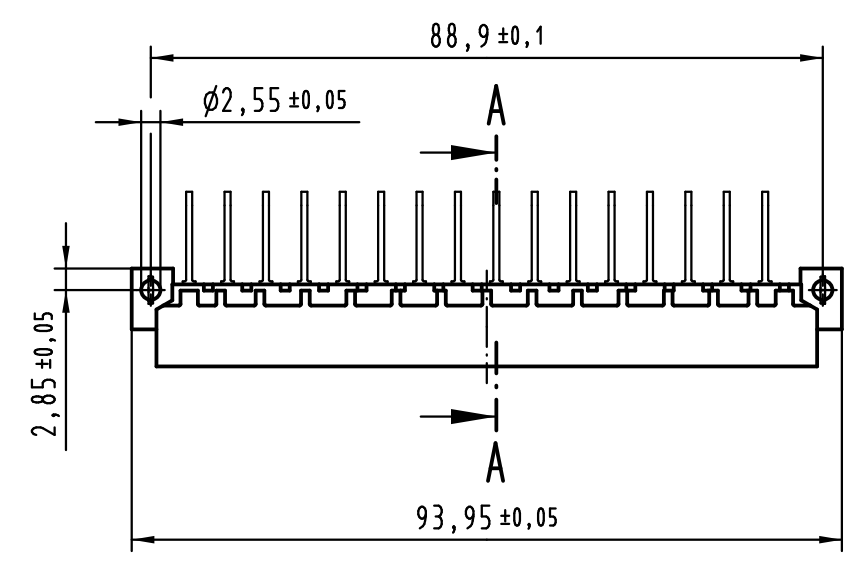
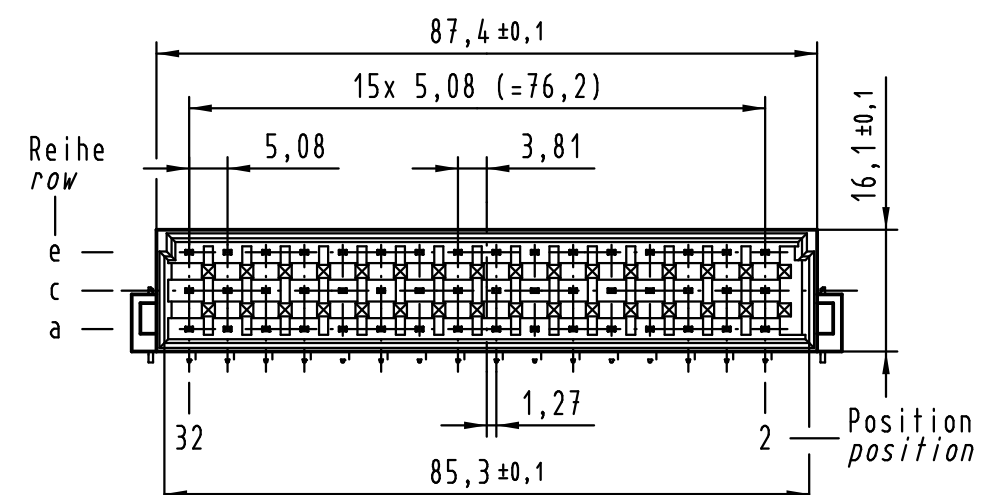
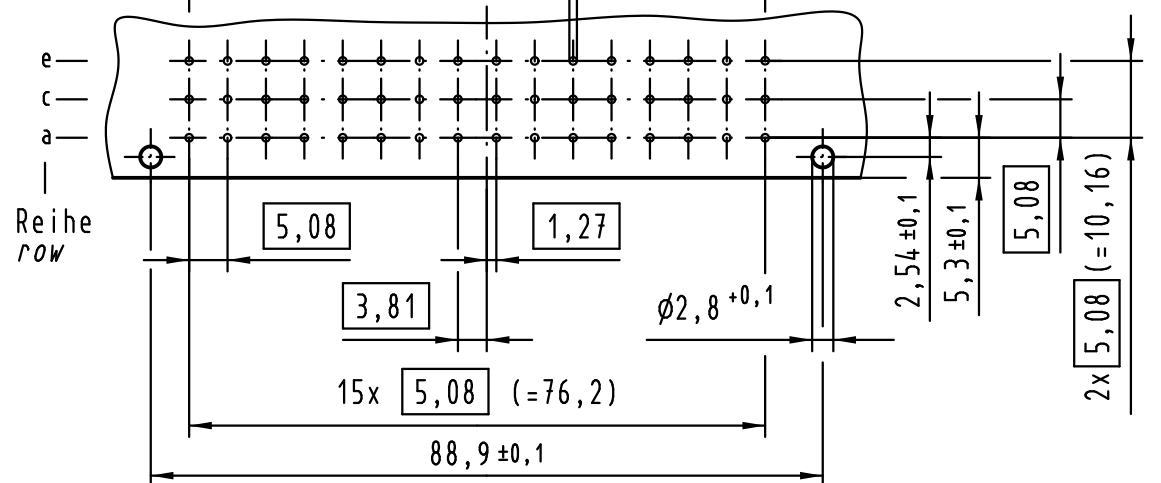
Alle Rechte vorbehalten/ All rights reserved



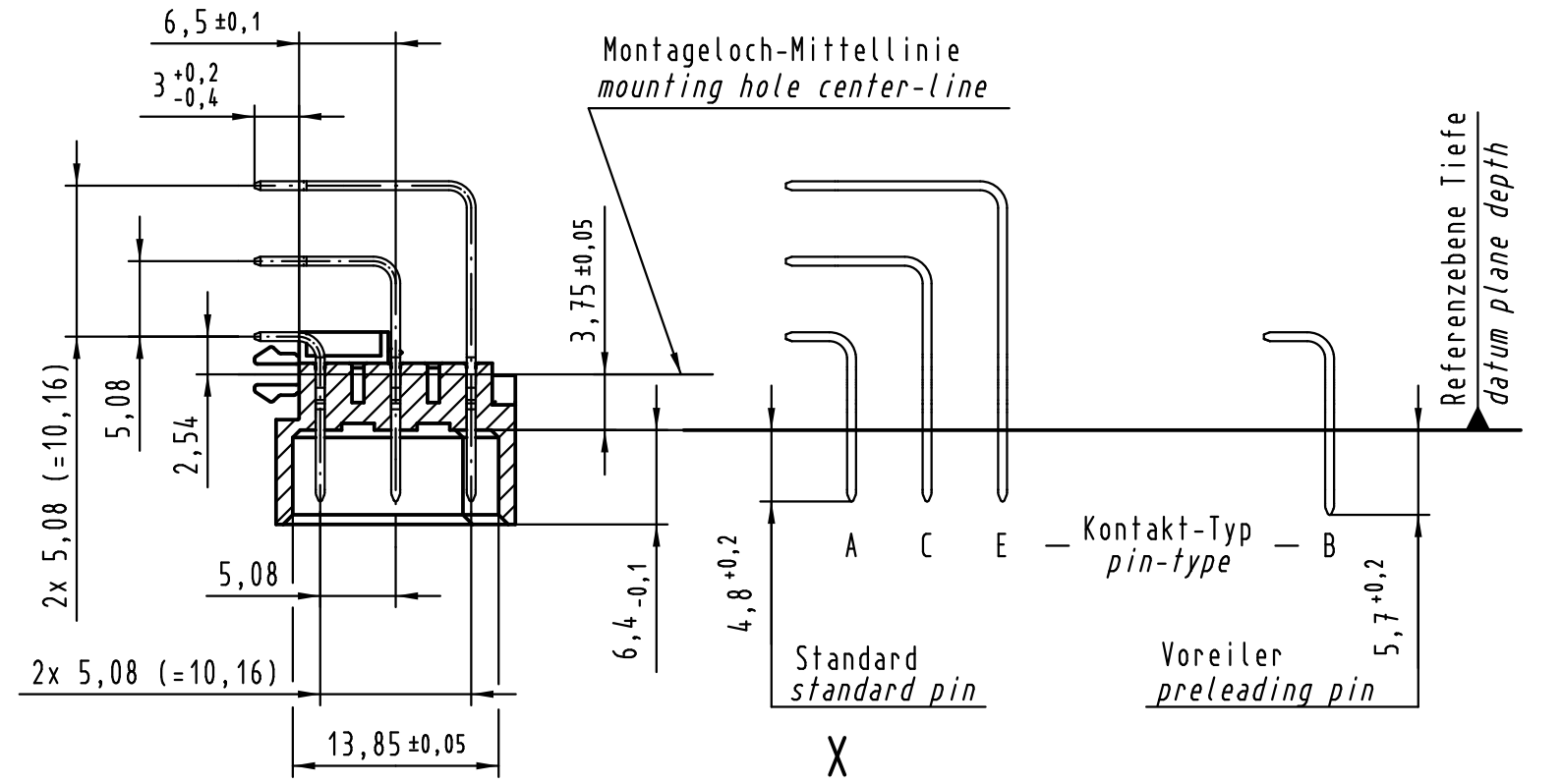
Y
Lochbild
board drillings

alle Löcher
all holes
 $\varnothing 0,05$

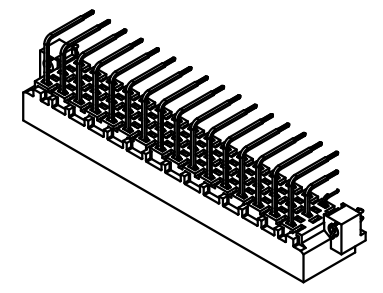
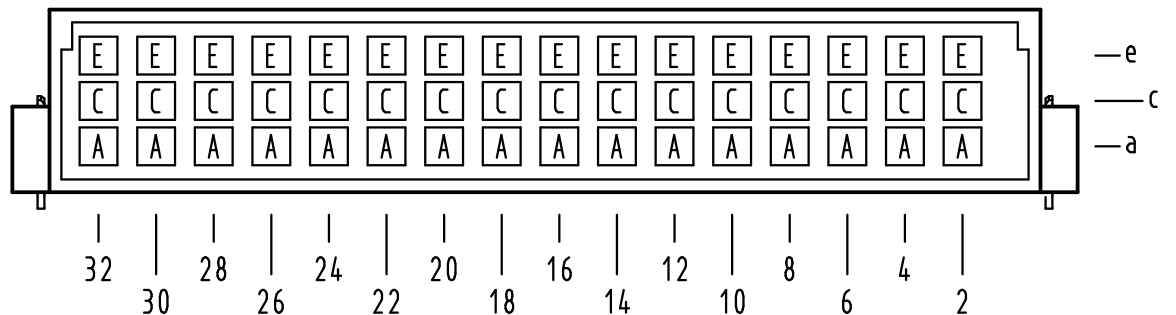
Position
position



A-A (2:1)



X
Kontaktbelegung
contact loading



① weitere Informationen siehe: DS 09 04 100 02 01
further information see: DS 09 04 100 02 01

All Dimensions in mm Original Size DIN A 3		Techn. Character.			Nicht tolerierte Maß/Free size tolerances IEC 60603-2
		Dat.	Name	Maßstab/Scale	
		Detail.	02.12.04 Hage.	1:1	Bauform / type E male connector solder angled 5.08 with clip 48-pole
		Insp.	02.12.04 kfoe.		
		Stand.			
36460	02.12.11 Hage.				TB 09 05 348 x921
35522	09.07.09 Hage.				
32547	07.02.05 Hage.				
31006					
Mod.	Dat.	Name	HARTING Electronics GmbH & Co. KG D-32339 ESPELKAMP		Blatt/ page

09 05 348 6921	2
Bestell-Nr. part-no.	Anforderungsstufe performance level ①
Sub.	