



Chipsmall Limited consists of a professional team with an average of over 10 year of expertise in the distribution of electronic components. Based in Hongkong, we have already established firm and mutual-benefit business relationships with customers from,Europe,America and south Asia,supplying obsolete and hard-to-find components to meet their specific needs.

With the principle of “Quality Parts,Customers Priority,Honest Operation,and Considerate Service”,our business mainly focus on the distribution of electronic components. Line cards we deal with include Microchip,ALPS,ROHM,Xilinx,Pulse,ON,Everlight and Freescale. Main products comprise IC,Modules,Potentiometer,IC Socket,Relay,Connector.Our parts cover such applications as commercial,industrial, and automotives areas.

We are looking forward to setting up business relationship with you and hope to provide you with the best service and solution. Let us make a better world for our industry!



Contact us

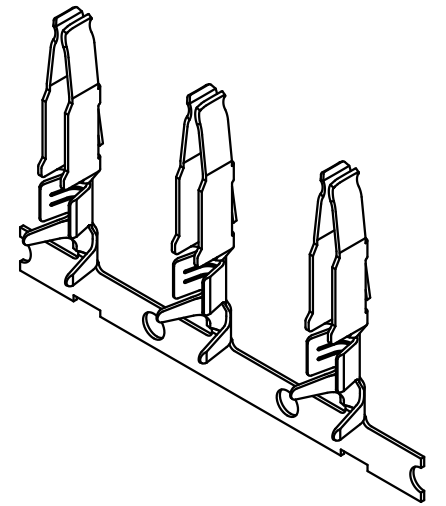
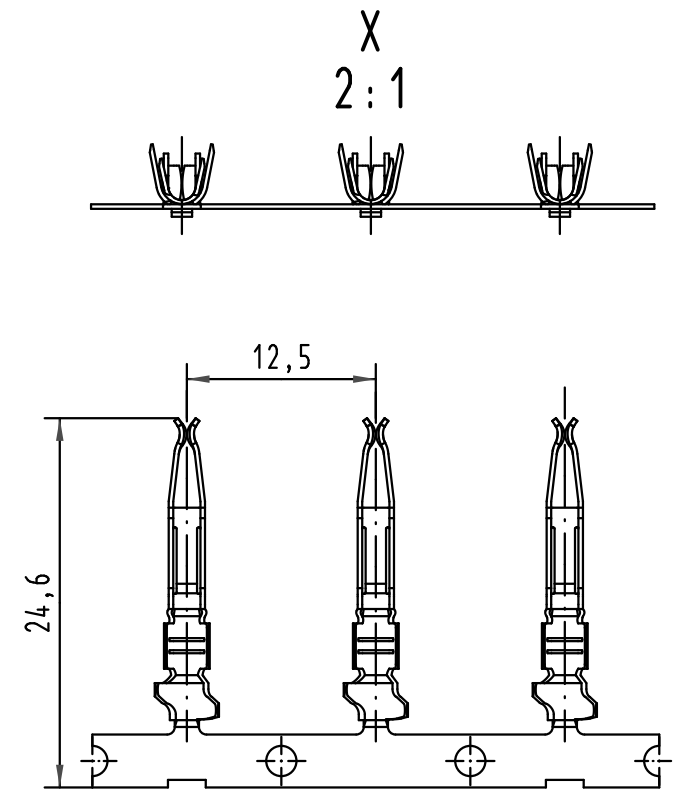
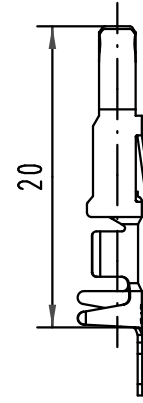
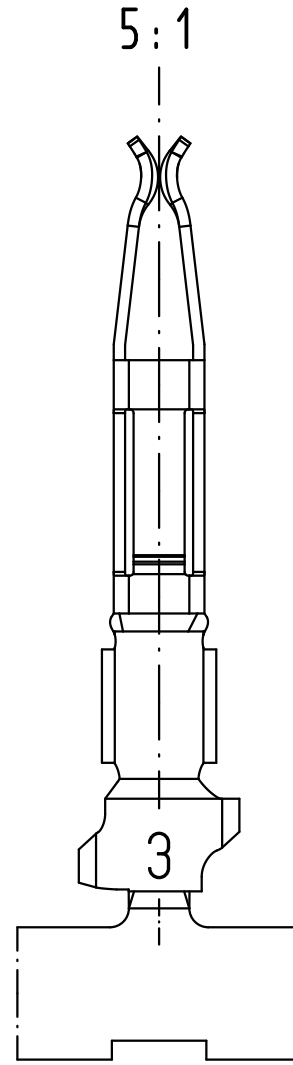
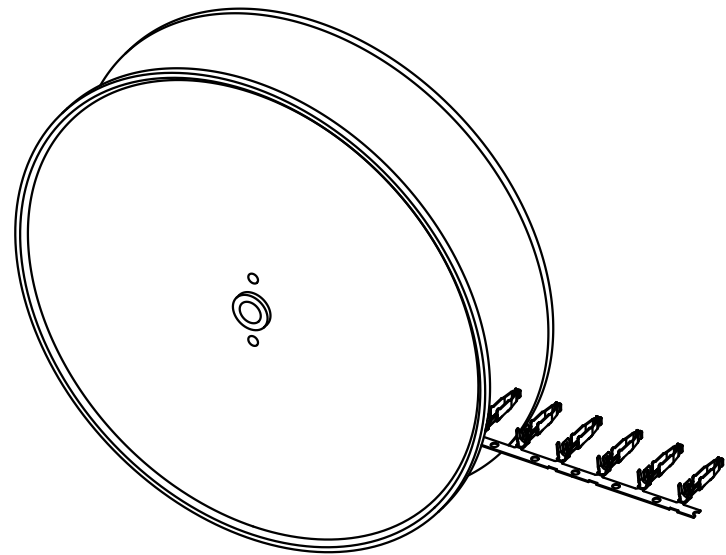
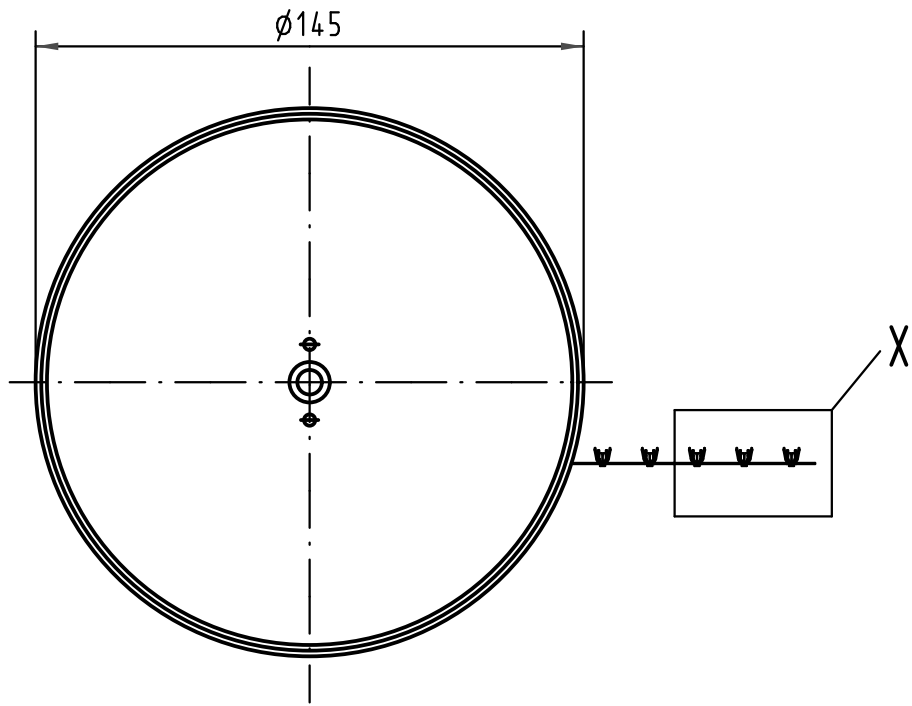
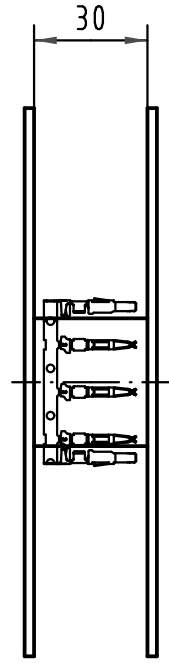
Tel: +86-755-8981 8866 Fax: +86-755-8427 6832

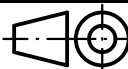

Email & Skype: info@chipsmall.com Web: www.chipsmall.com

Address: A1208, Overseas Decoration Building, #122 Zhenhua RD., Futian, Shenzhen, China



Alle Rechte vorbehalten/ All rights reserved



 All Dimensions in mm Original Size DIN A 3			Techn. Character.			Nicht tolerierte Maßel Free size tolerances complementary IEC 60603-2		
				Dat.	Name	Maßstab/Scale		Bauform/type F-C crimp Federkontakt Crimpkontur 3 für 0,5 - 1,5mm ² 250 Kontakte auf Haspel 2µm Au female contact crimp contour 3 for 0,5 - 1,5mm ² 250 contacts on reel 2µm Au
				Detail.	17.01.06	Leh.	1:2	
				Insp.	17.01.06	Ge.		
				Stand.			2:1; 5:1	
35449	21.11.08	Hage.	HARTING Electronics GmbH & Co. KG					TB 09 06 000 7422
33227			D-32339 ESPELKAMP					
Mod.	Dat.	Name						Blatt/ page