



Chipsmall Limited consists of a professional team with an average of over 10 year of expertise in the distribution of electronic components. Based in Hongkong, we have already established firm and mutual-benefit business relationships with customers from,Europe,America and south Asia,supplying obsolete and hard-to-find components to meet their specific needs.

With the principle of “Quality Parts,Customers Priority,Honest Operation,and Considerate Service”,our business mainly focus on the distribution of electronic components. Line cards we deal with include Microchip,ALPS,ROHM,Xilinx,Pulse,ON,Everlight and Freescale. Main products comprise IC,Modules,Potentiometer,IC Socket,Relay,Connector.Our parts cover such applications as commercial,industrial, and automotives areas.

We are looking forward to setting up business relationship with you and hope to provide you with the best service and solution. Let us make a better world for our industry!



Contact us

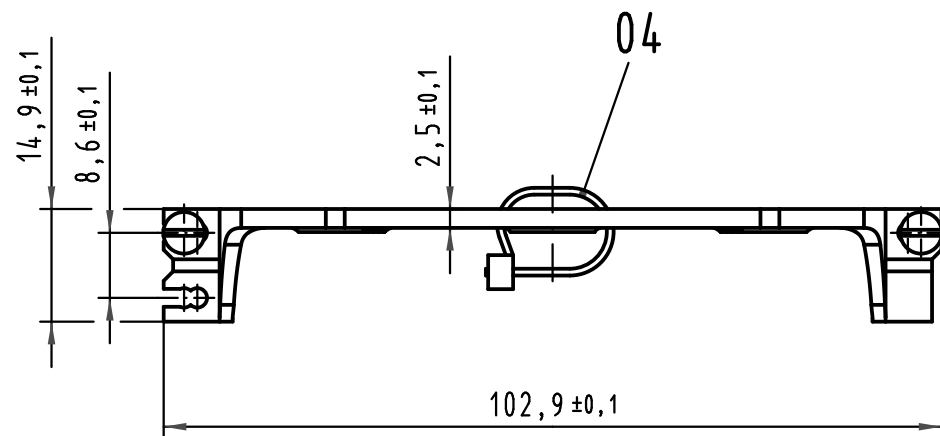
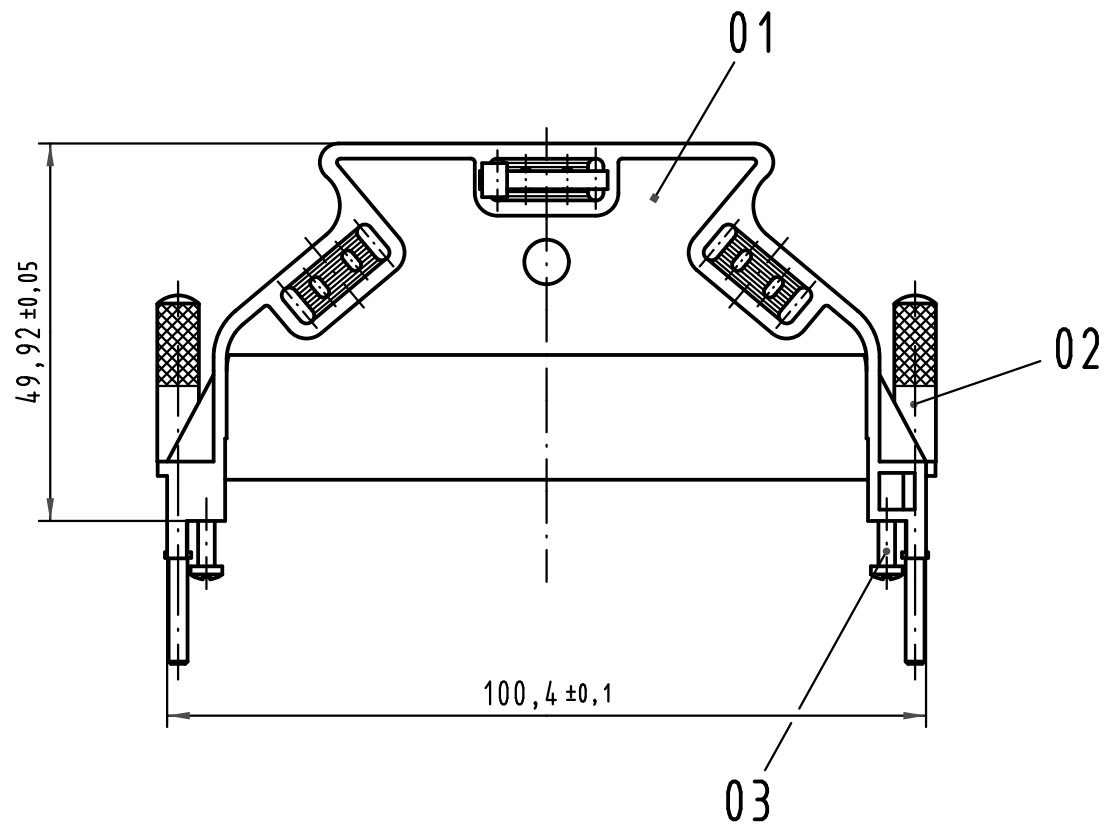
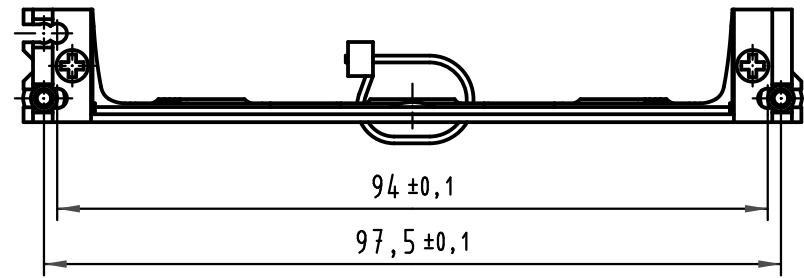
Tel: +86-755-8981 8866 Fax: +86-755-8427 6832

Email & Skype: info@chipsmall.com Web: www.chipsmall.com

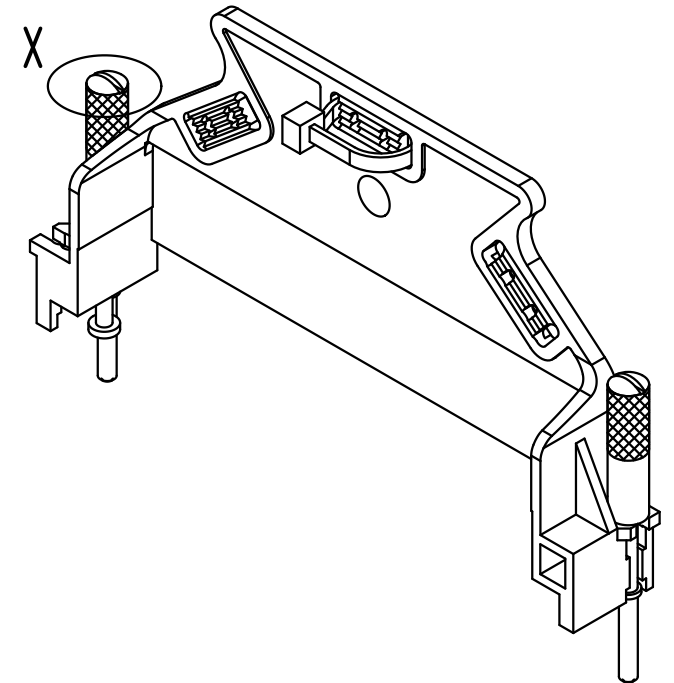
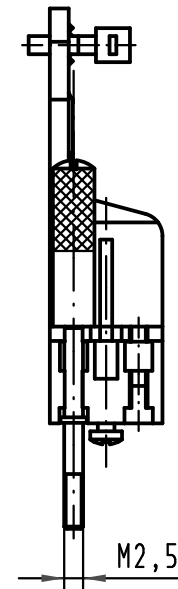
Address: A1208, Overseas Decoration Building, #122 Zhenhua RD., Futian, Shenzhen, China



Alle Rechte vorbehalten/ All rights reserved



X (2:1)



Inhalt Griffschale G content open hood G			Ersatzteile spare parts	
Pos. pos.	Anzahl number	Benennung description	Artikel Nr. part no.	Anzahl number
01	1	Griffschale G open hood G	09 06 000 9959	1
02	2	Verriegelungsschraube mit Schlitz locking screw with slot	09 06 000 9958	1
03	2	Blehschraube / tapping screw ISO 7049-ST2,2x9,5-F-Z		
04	1	Kabelbinder cable tie		

Teile nicht montiert
parts not assembled

All Dimensions in mm Original Size DIN A 3			Techn. Character.			Nicht tolerierte Maß/Free size tolerances			
						Griffschale G open hood G			
			Detail.	31.10.06	Hage.				Maßstab/Scale 1:1
			Insp.	31.10.06	LehT				
			Stand.						
36101	15.11.10	Hage.				TB 09 06 000 9957			
34055	20.11.06	Hage.							
33296									
Mod.	Dat.	Name	HARTING Electronics GmbH & Co. KG D-32339 ESPELKAMP					Blatt/ page	
								Sub.	