



Chipsmall Limited consists of a professional team with an average of over 10 year of expertise in the distribution of electronic components. Based in Hongkong, we have already established firm and mutual-benefit business relationships with customers from,Europe,America and south Asia,supplying obsolete and hard-to-find components to meet their specific needs.

With the principle of "Quality Parts,Customers Priority,Honest Operation,and Considerate Service",our business mainly focus on the distribution of electronic components. Line cards we deal with include Microchip,ALPS,ROHM,Xilinx,Pulse,ON,Everlight and Freescale. Main products comprise IC,Modules,Potentiometer,IC Socket,Relay,Connector.Our parts cover such applications as commercial,industrial, and automotives areas.

We are looking forward to setting up business relationship with you and hope to provide you with the best service and solution. Let us make a better world for our industry!



Contact us

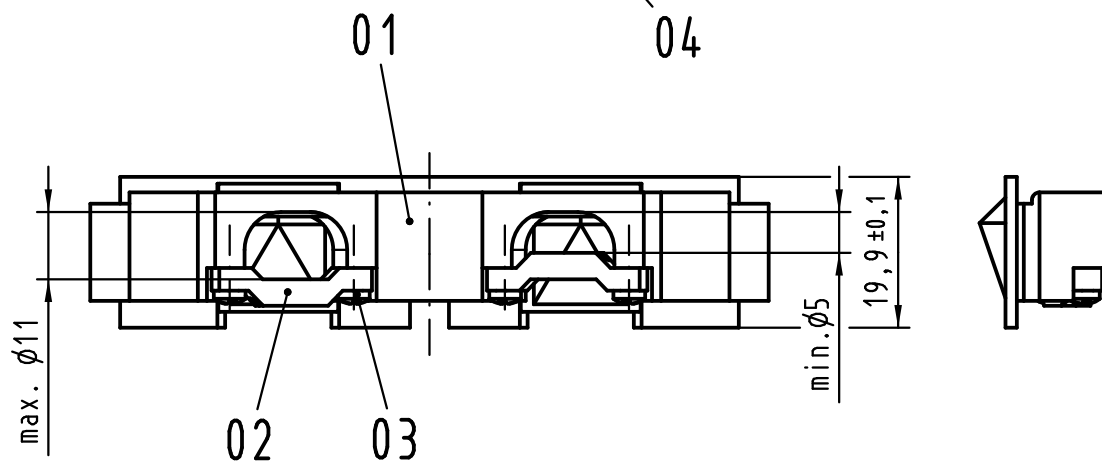
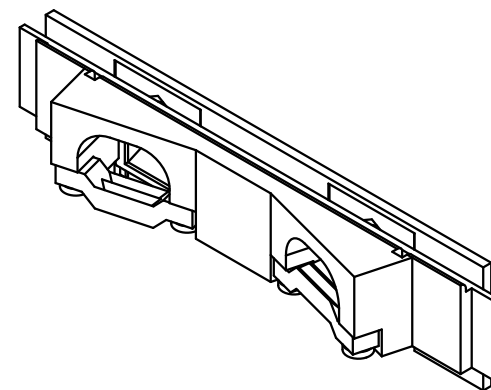
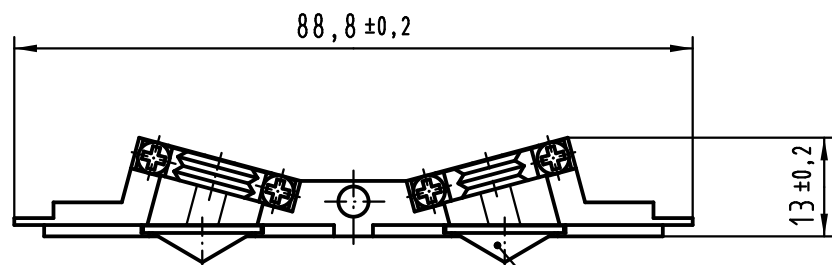
Tel: +86-755-8981 8866 Fax: +86-755-8427 6832

Email & Skype: info@chipsmall.com Web: www.chipsmall.com

Address: A1208, Overseas Decoration Building, #122 Zhenhua RD., Futian, Shenzhen, China



1 2 3 4 5 6



Pos. pos.	Anzahl number	Benennung description	Artikel Nr. part no.
01	1	Rundkabeleinsatz round cable insert	
02	2	Kabelschelle cable clamp D20	09 06 000 9992
03	4	PT-Schraube /-screw 2,2x9,5 - PZ1	09 06 001 9974
04	2	Blindstopfen blind plug	

Teile nicht montiert
parts not assembled

	All Dimensions in mm Original Size DIN A 4			Techn. Character.		Nicht tolerierte Maß/Free size tolerances	
				Detail.	26.02.07	Hage.	Rundkabeleinsatz D20 round cable insert D20
36451	08.11.11	Hage.	Insp.	26.02.07	LehT	1:1	
36106	30.07.10	Lk	Stand.				
36101	19.07.10	Hage.	HARTING Electronics GmbH & Co. KG			TB 09 06 000 9988	Blatt/ page
34231			D-32339 ESPELKAMP				
Mod.	Dat.	Name			Sub.		