



Chipsmall Limited consists of a professional team with an average of over 10 year of expertise in the distribution of electronic components. Based in Hongkong, we have already established firm and mutual-benefit business relationships with customers from,Europe,America and south Asia,supplying obsolete and hard-to-find components to meet their specific needs.

With the principle of “Quality Parts,Customers Priority,Honest Operation,and Considerate Service”,our business mainly focus on the distribution of electronic components. Line cards we deal with include Microchip,ALPS,ROHM,Xilinx,Pulse,ON,Everlight and Freescale. Main products comprise IC,Modules,Potentiometer,IC Socket,Relay,Connector.Our parts cover such applications as commercial,industrial, and automotives areas.

We are looking forward to setting up business relationship with you and hope to provide you with the best service and solution. Let us make a better world for our industry!



Contact us

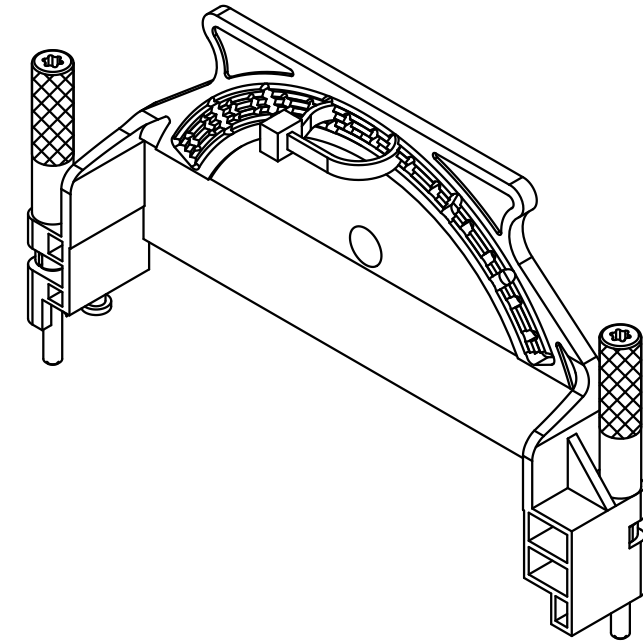
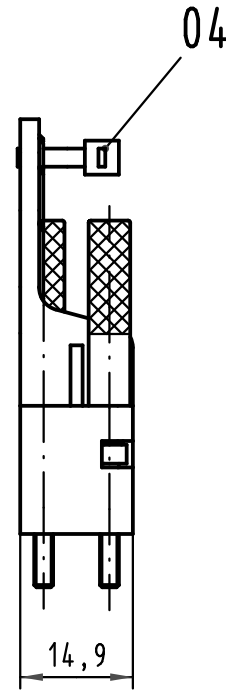
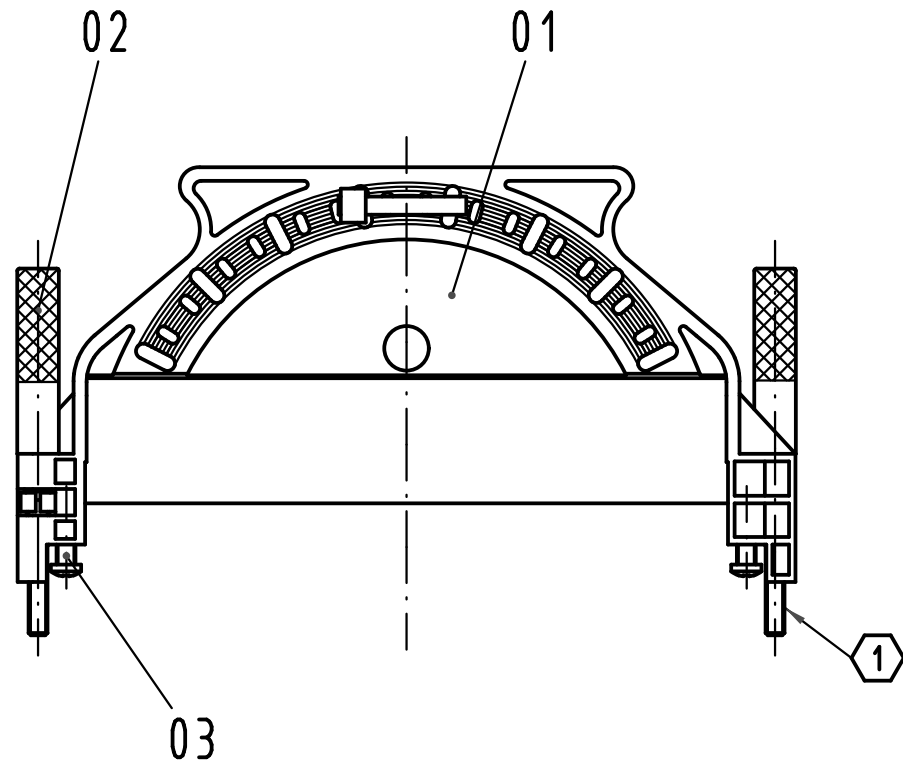
Tel: +86-755-8981 8866 Fax: +86-755-8427 6832

Email & Skype: info@chipsmall.com Web: www.chipsmall.com

Address: A1208, Overseas Decoration Building, #122 Zhenhua RD., Futian, Shenzhen, China

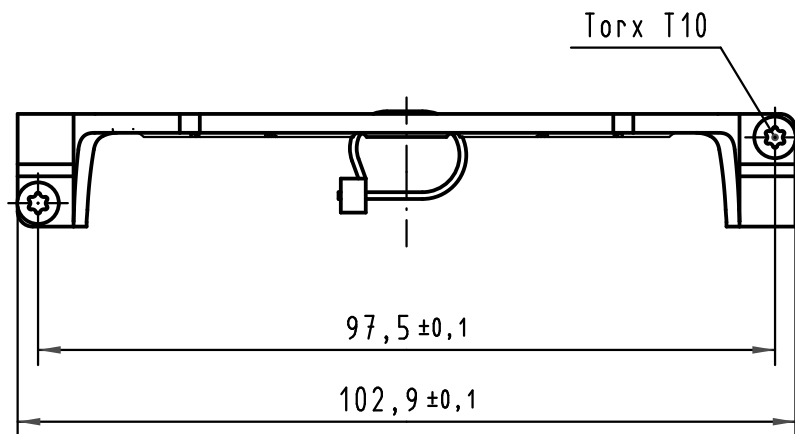


Alle Rechte vorbehalten/ All rights reserved



① verschraubbar mit / to screw together with

09 06 000 9907 + 09 06 000 9908,
 09 06 000 9966 + 09 06 000 9967
 oder / or 09 06 001 9934 + 09 06 001 9935



Inhalt Griffschale G content Griffschale G			Ersatzteile spare parts	
Pos. pos.	Anzahl number	Benennung description	Artikel Nr. part no.	Anzahl number
01	1	Griffschale G open hood G		
02	2	Verriegelungsschraube mit Torx locking screw with Torx	09 06 001 9949	1
03	2	Blehschraube / tapping screw ISO 7049-ST2,2x9,5-F-Z		
04	1	Kabelbinder cable tie		

Teile nicht montiert
 parts not assembled

All Dimensions in mm Original Size DIN A 3			Techn. Character.			Nicht tolerierte Maß/Free size tolerances			
						Griffschale G open hood G			
			Detail.	10.03.08	Hage.				Maßstab/Scale 1:1
			Insp.	10.03.08	LehT				
			Stand.						
36101	18.11.10	Hage.	HARTING Electronics GmbH & Co. KG			TB 09 06 001 9939		Blatt/ page	
34994			D-32339 ESPELKAMP						
Mod.	Dat.	Name				Sub.			