



Chipsmall Limited consists of a professional team with an average of over 10 year of expertise in the distribution of electronic components. Based in Hongkong, we have already established firm and mutual-benefit business relationships with customers from,Europe,America and south Asia,supplying obsolete and hard-to-find components to meet their specific needs.

With the principle of "Quality Parts,Customers Priority,Honest Operation,and Considerate Service",our business mainly focus on the distribution of electronic components. Line cards we deal with include Microchip,ALPS,ROHM,Xilinx,Pulse,ON,Everlight and Freescale. Main products comprise IC,Modules,Potentiometer,IC Socket,Relay,Connector.Our parts cover such applications as commercial,industrial, and automotives areas.

We are looking forward to setting up business relationship with you and hope to provide you with the best service and solution. Let us make a better world for our industry!



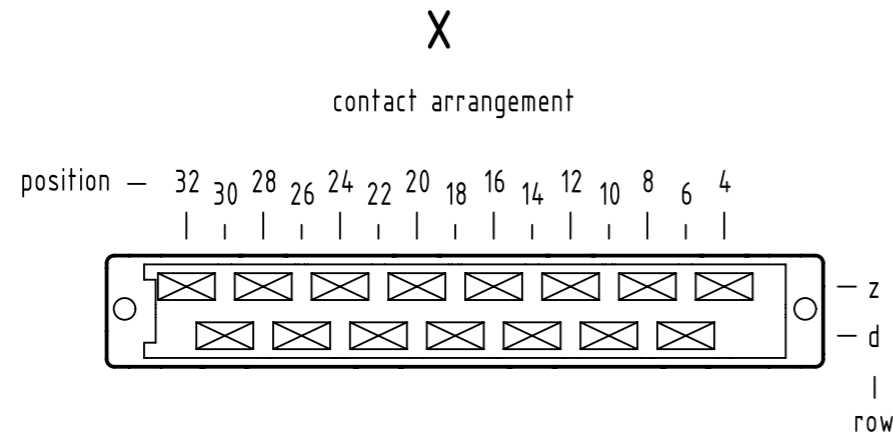
## Contact us

Tel: +86-755-8981 8866 Fax: +86-755-8427 6832

Email & Skype: info@chipsmall.com Web: www.chipsmall.com

Address: A1208, Overseas Decoration Building, #122 Zhenhua RD., Futian, Shenzhen, China

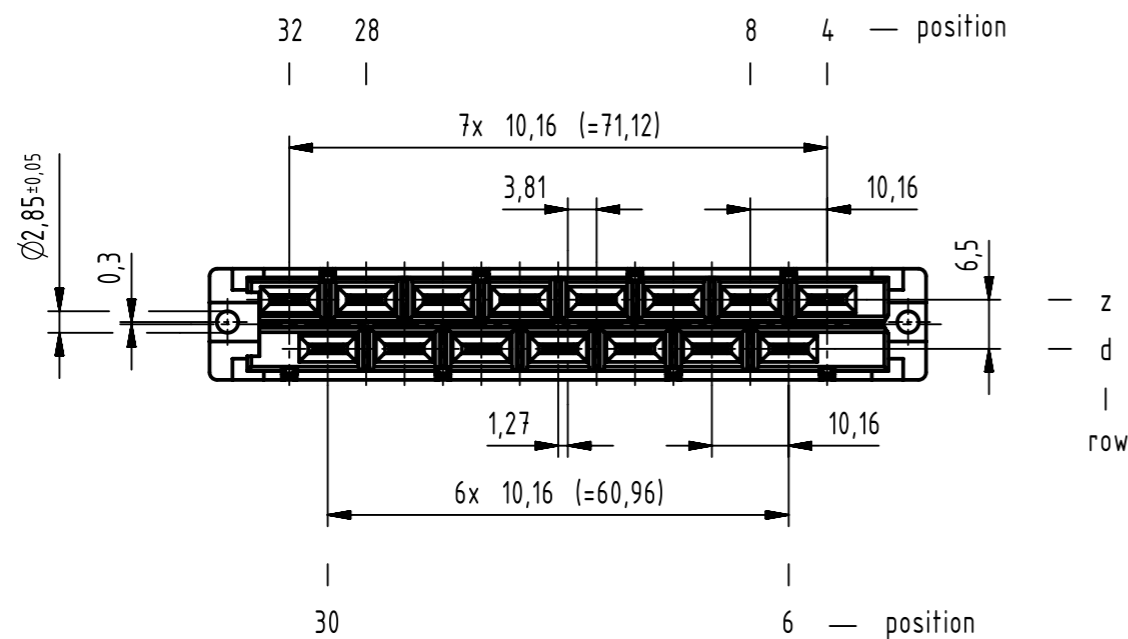
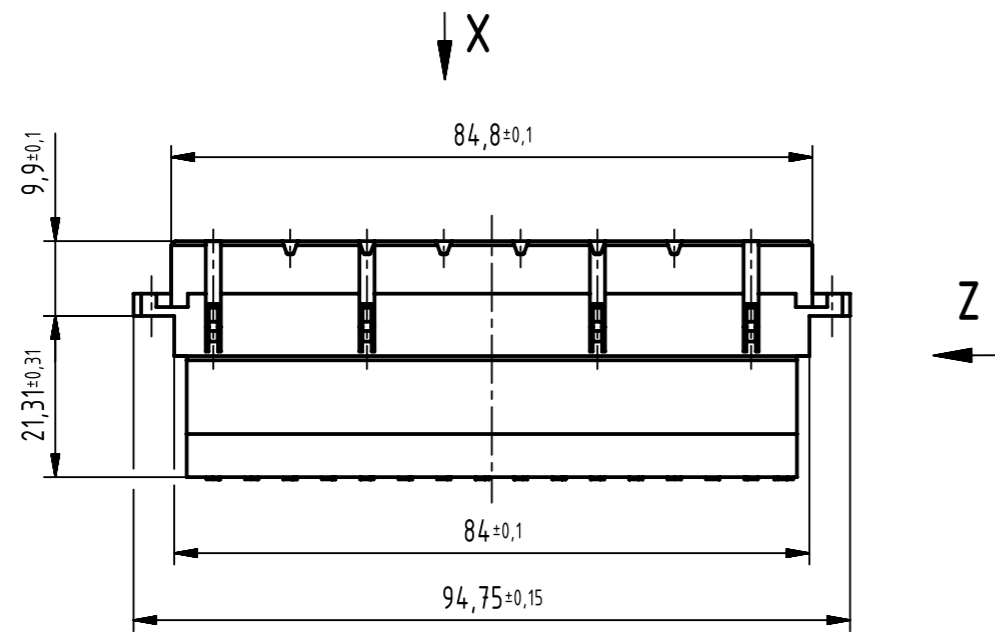




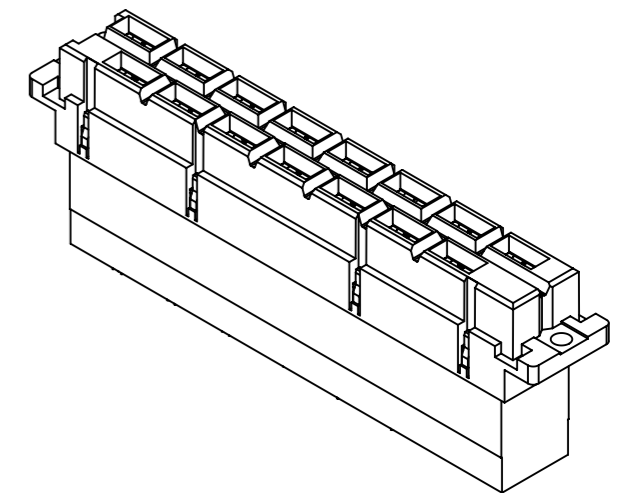
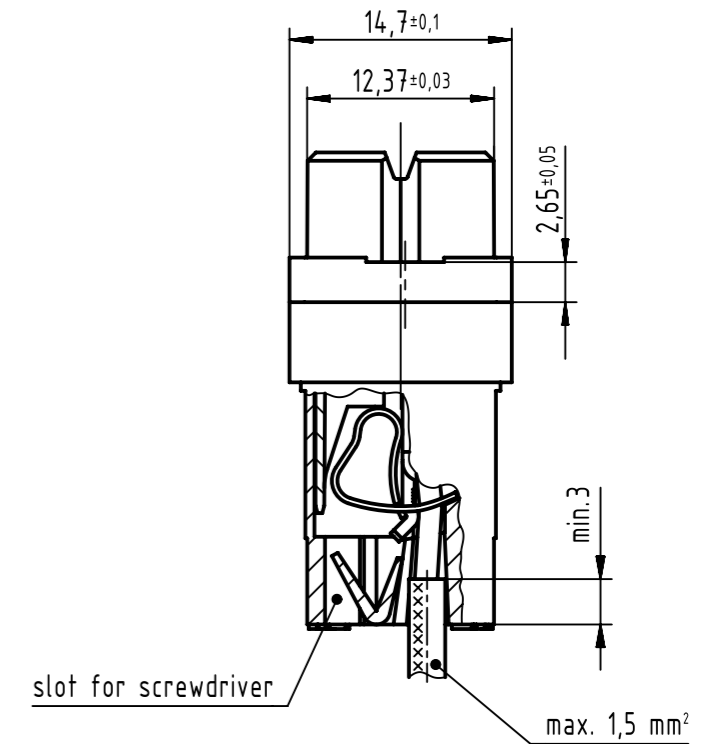
15 contacts

⊗ = position with contact

□ = position without contact



**Z (2:1)**



stripping length: 4-7 mm  
wire gauge: 0,14-1,5 mm<sup>2</sup>

further information see: DS 09 06 210 07 01

	All rights reserved Department EC PD - DE	Created by ZWAHR	Inspected by TADJE	Standardisation HOFFMANN	Date 2014-09-10	State Final Release	Ref. Sub. TB 09 06 015 2813 / 36526 / 06.06.12
	HARTING Electronics GmbH D-32339 Espelkamp	Title type H15 female connector with cage clamp			Doc-Key / ECM-Nr. 100105857/UGD/003/B 50000079379		Rev. B
		Type TB	Number 09060152813		Page 1/1		