



Chipsmall Limited consists of a professional team with an average of over 10 year of expertise in the distribution of electronic components. Based in Hongkong, we have already established firm and mutual-benefit business relationships with customers from,Europe,America and south Asia,supplying obsolete and hard-to-find components to meet their specific needs.

With the principle of "Quality Parts,Customers Priority,Honest Operation,and Considerate Service",our business mainly focus on the distribution of electronic components. Line cards we deal with include Microchip,ALPS,ROHM,Xilinx,Pulse,ON,Everlight and Freescale. Main products comprise IC,Modules,Potentiometer,IC Socket,Relay,Connector.Our parts cover such applications as commercial,industrial, and automotives areas.

We are looking forward to setting up business relationship with you and hope to provide you with the best service and solution. Let us make a better world for our industry!



Contact us

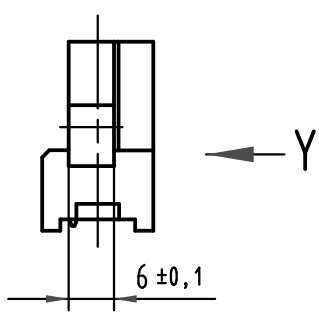
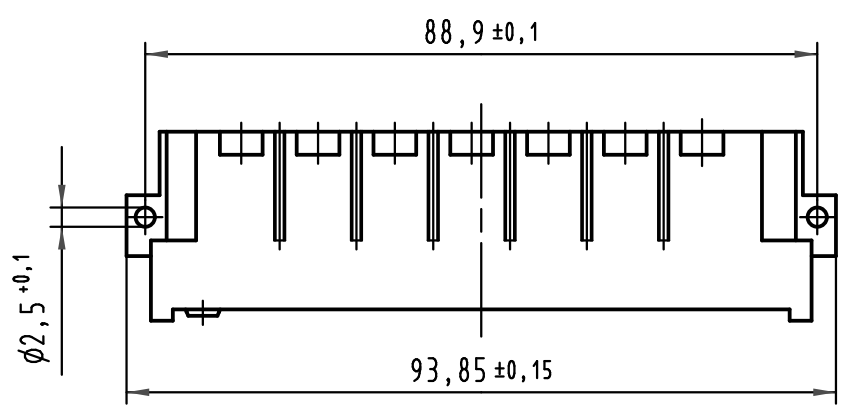
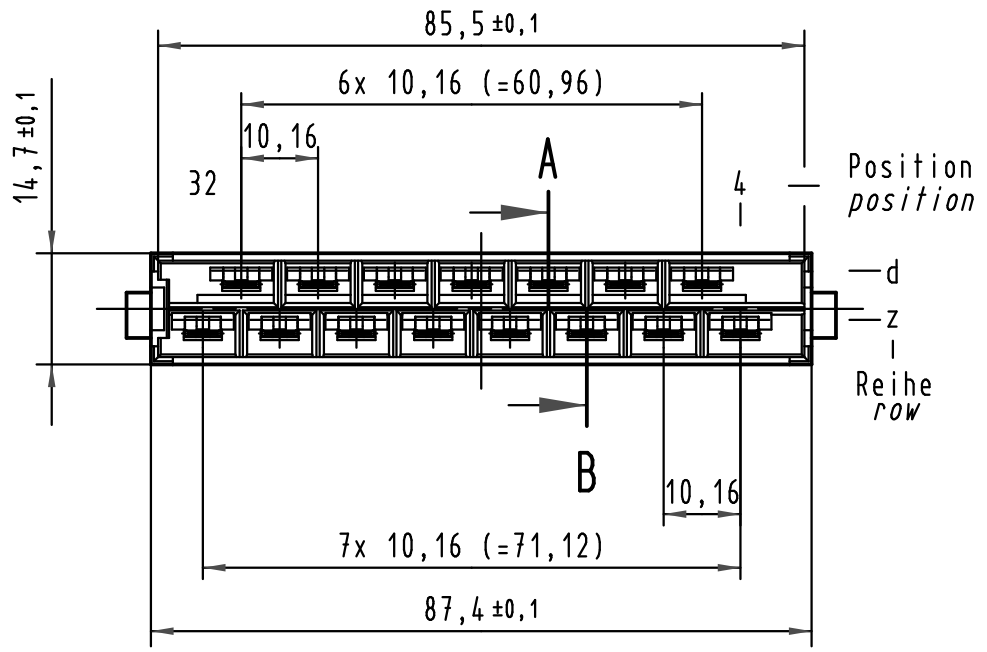
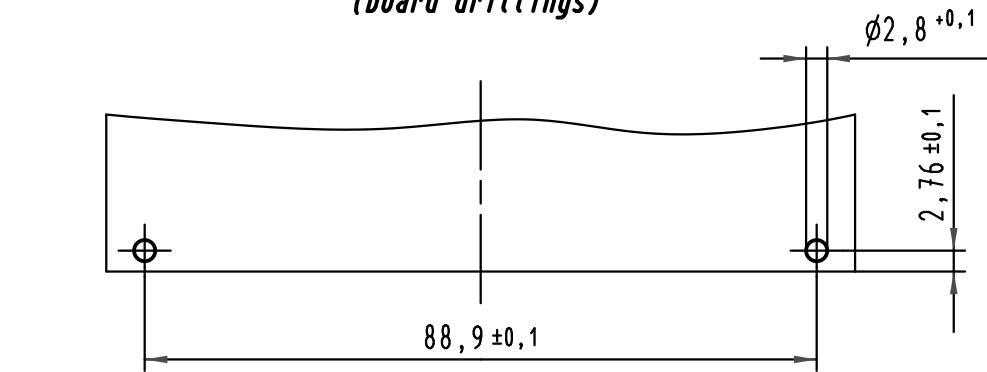
Tel: +86-755-8981 8866 Fax: +86-755-8427 6832

Email & Skype: info@chipsmall.com Web: www.chipsmall.com

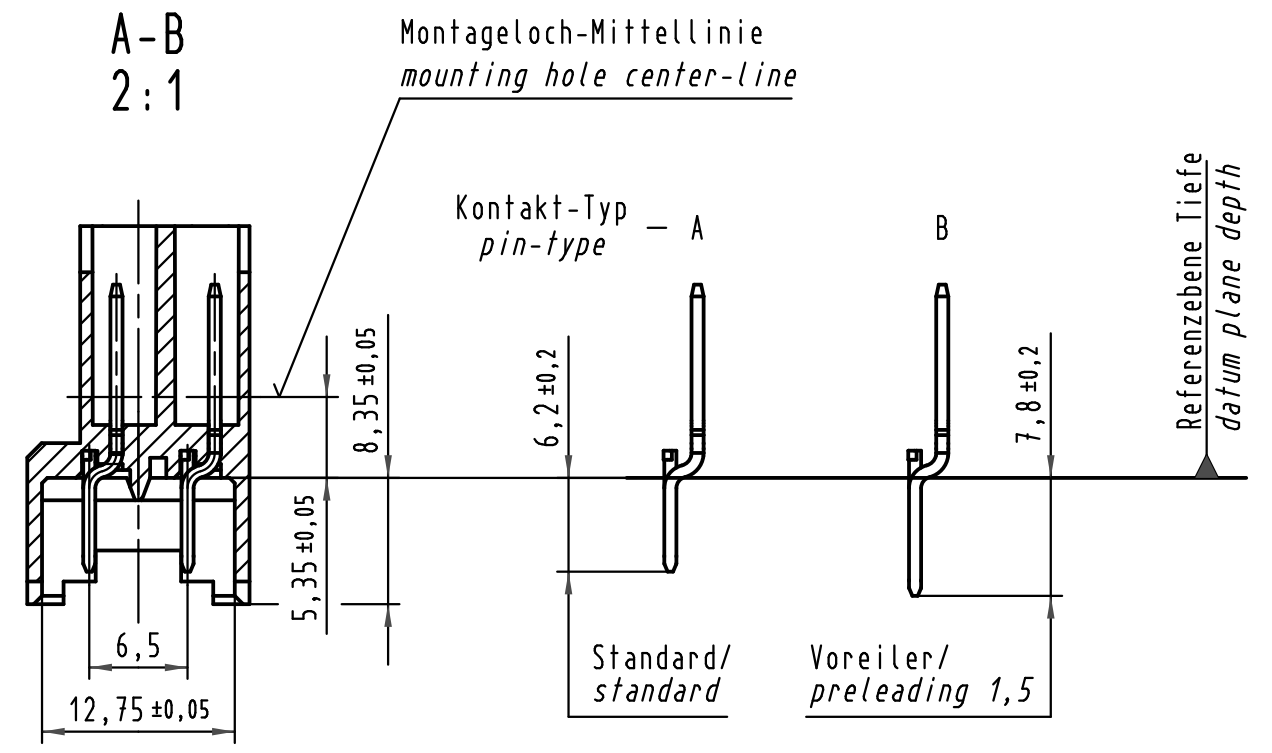
Address: A1208, Overseas Decoration Building, #122 Zhenhua RD., Futian, Shenzhen, China



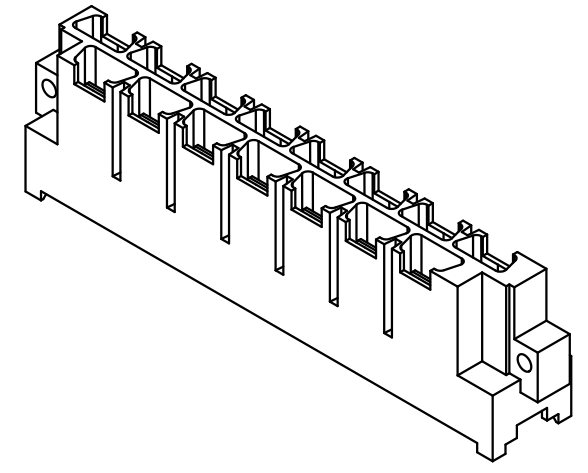
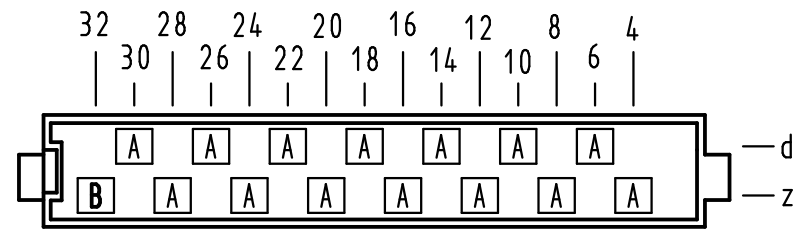
Y
(Lochbild)
(board drillings)



A-B
2:1



X Kontaktbelegung
contact loading



All Dimensions in mm Original Size DIN A 3	Techn. Character. IEC 60603-2			Nicht tolerierte Maß/Free size tolerances IEC 60603-2																
	<table border="1"> <tr> <td></td> <td>Dat.</td> <td>Name</td> </tr> <tr> <td>Detail.</td> <td>25.08.04</td> <td>Leh.</td> </tr> <tr> <td>Insp.</td> <td>25.08.04</td> <td>kfoe</td> </tr> <tr> <td>Stand.</td> <td></td> <td></td> </tr> </table>		Dat.	Name	Detail.	25.08.04	Leh.	Insp.	25.08.04	kfoe	Stand.			<table border="1"> <tr> <td>Maßstab/Scale</td> <td>1:1</td> </tr> <tr> <td></td> <td>2:1</td> </tr> </table>	Maßstab/Scale	1:1		2:1	Bauform/type H 15 Messerleiste Faston male connector faston	
	Dat.	Name																		
Detail.	25.08.04	Leh.																		
Insp.	25.08.04	kfoe																		
Stand.																				
Maßstab/Scale	1:1																			
	2:1																			
<table border="1"> <tr> <td>32053</td> <td></td> <td></td> </tr> <tr> <td>Mod.</td> <td>Dat.</td> <td>Name</td> </tr> </table>	32053			Mod.	Dat.	Name	HARTING Electronics GmbH & Co. KG D-32339 ESPELKAMP 		TB 09 06 015 2931 Sub.09 06 015 2931.00 Mod. 5299 v. 28.10.88		Blatt/page /									
32053																				
Mod.	Dat.	Name																		

Alle Rechte vorbehalten/ All rights reserved