



Chipsmall Limited consists of a professional team with an average of over 10 year of expertise in the distribution of electronic components. Based in Hongkong, we have already established firm and mutual-benefit business relationships with customers from,Europe,America and south Asia,supplying obsolete and hard-to-find components to meet their specific needs.

With the principle of "Quality Parts,Customers Priority,Honest Operation,and Considerate Service",our business mainly focus on the distribution of electronic components. Line cards we deal with include Microchip,ALPS,ROHM,Xilinx,Pulse,ON,Everlight and Freescale. Main products comprise IC,Modules,Potentiometer,IC Socket,Relay,Connector.Our parts cover such applications as commercial,industrial, and automotives areas.

We are looking forward to setting up business relationship with you and hope to provide you with the best service and solution. Let us make a better world for our industry!



Contact us

Tel: +86-755-8981 8866 Fax: +86-755-8427 6832

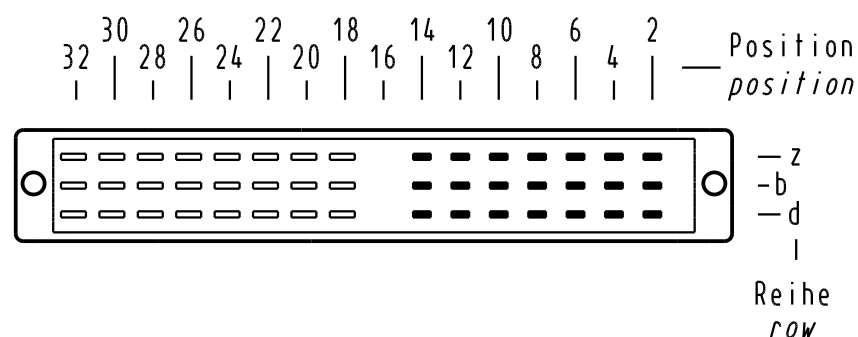
Email & Skype: info@chipsmall.com Web: www.chipsmall.com

Address: A1208, Overseas Decoration Building, #122 Zhenhua RD., Futian, Shenzhen, China



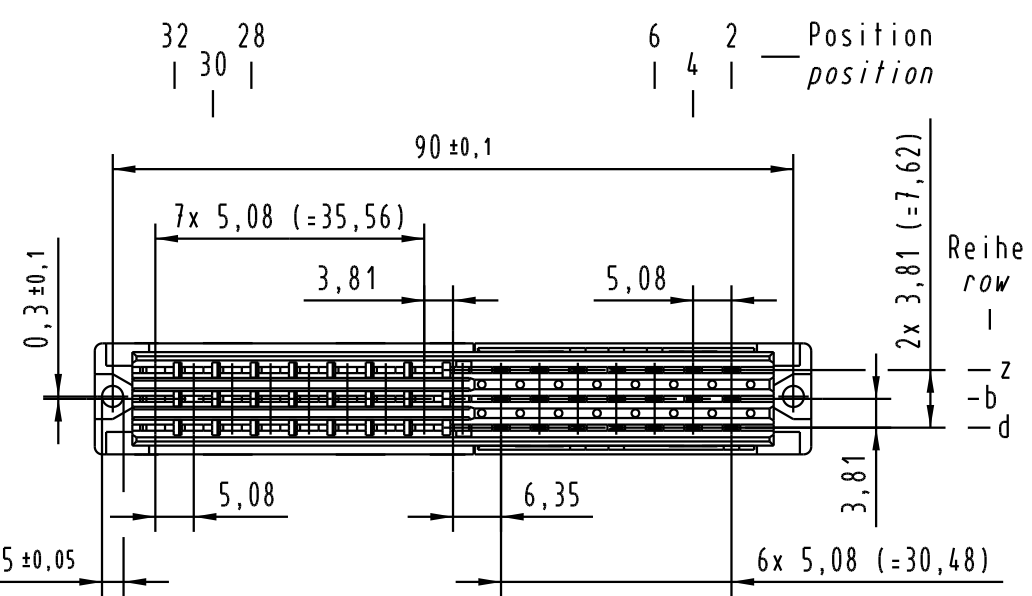
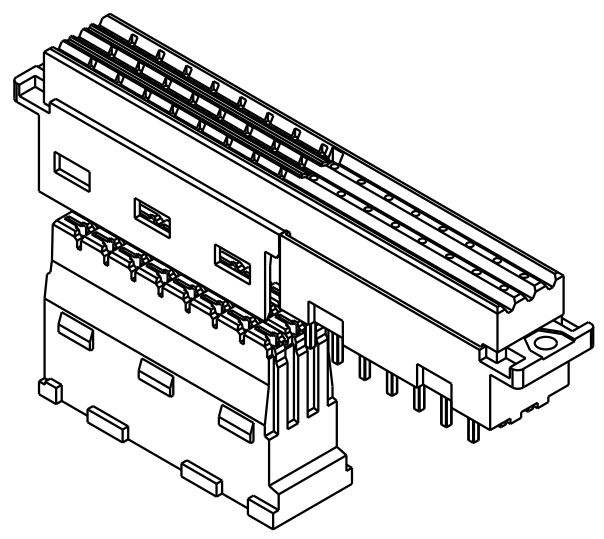
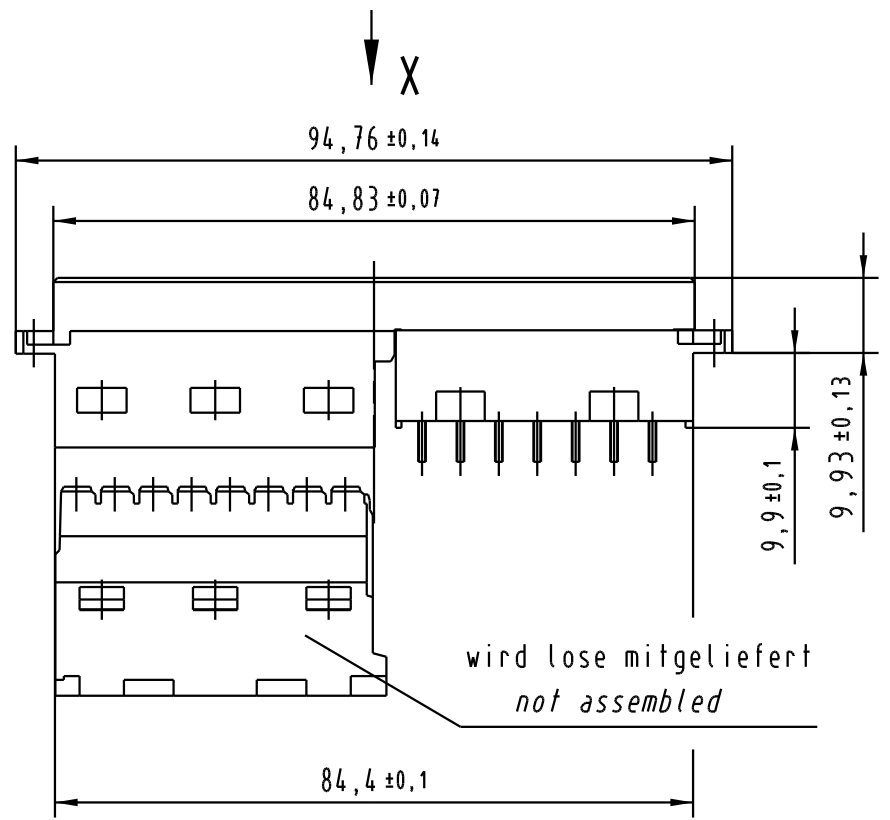
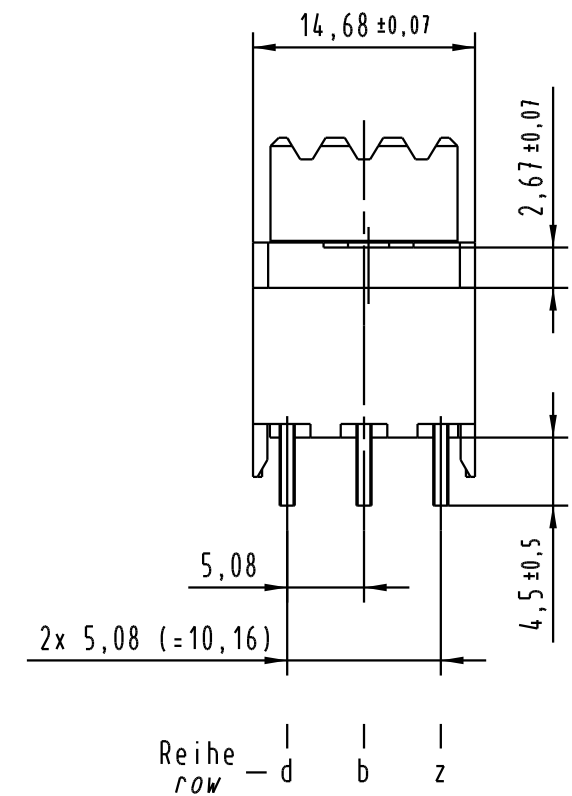
Alle Rechte vorbehalten. All rights reserved

X
Kontaktanordnung
contact arrangement



21 WW - Kontakte
21 WW - contacts
- = Kontaktposition belegt
= position with contact
□ = Kontaktposition nicht belegt
= position without contact

Y
2:1



-	-	-
-	-	-
09 06 045 2875	1	Au über/over Ni
Bestell-Nr. part-no.	Anforderungsstufe nach IEC performance level acc.to IEC	Kontaktoberfläche contact plating

 All Dimensions in mm Original Size DIN A 3	Techn. Character. ergänzend/complementary IEC 60603-2		Nicht tolerierte Maßel Free size tolerances ergänzend/complementary IEC 60603-2	
			Maßstab/Scale 1:1 2:1	Bauform/type FM Federleiste solder 1x1/Crimp 45 pol. female connector solder 1x1/crimp 45 pol.
33073 Mod.			HARTING Electronics GmbH & Co. KG D-32339 ESPELKAMP Dat.	TB 09 06 045 x875 Sub. Mod. v.