



Chipsmall Limited consists of a professional team with an average of over 10 year of expertise in the distribution of electronic components. Based in Hongkong, we have already established firm and mutual-benefit business relationships with customers from,Europe,America and south Asia,supplying obsolete and hard-to-find components to meet their specific needs.

With the principle of “Quality Parts,Customers Priority,Honest Operation,and Considerate Service”,our business mainly focus on the distribution of electronic components. Line cards we deal with include Microchip,ALPS,ROHM,Xilinx,Pulse,ON,Everlight and Freescale. Main products comprise IC,Modules,Potentiometer,IC Socket,Relay,Connector.Our parts cover such applications as commercial,industrial, and automotives areas.

We are looking forward to setting up business relationship with you and hope to provide you with the best service and solution. Let us make a better world for our industry!



Contact us

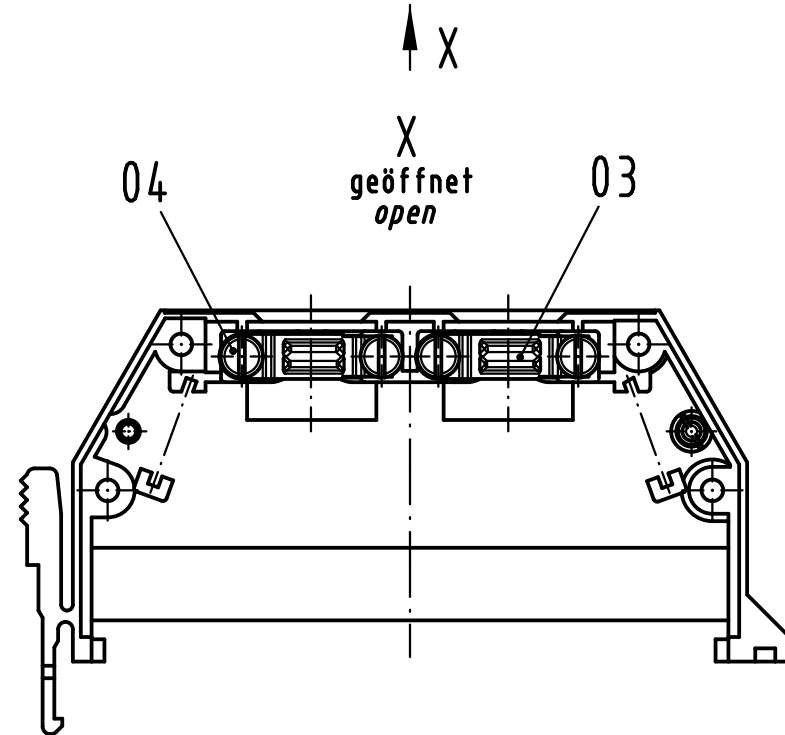
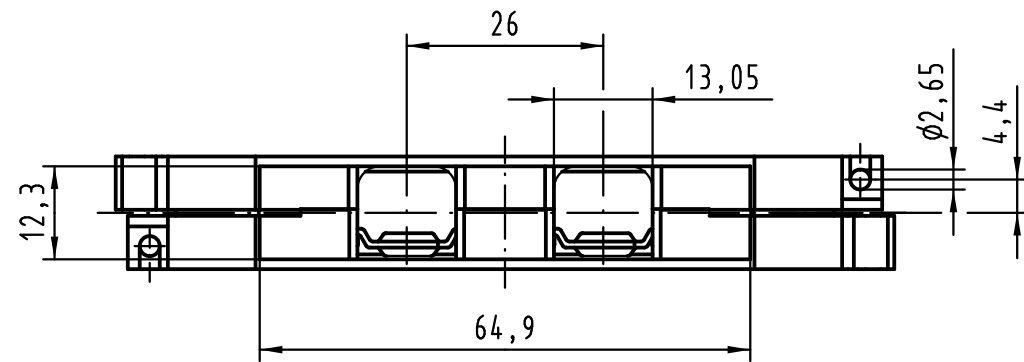
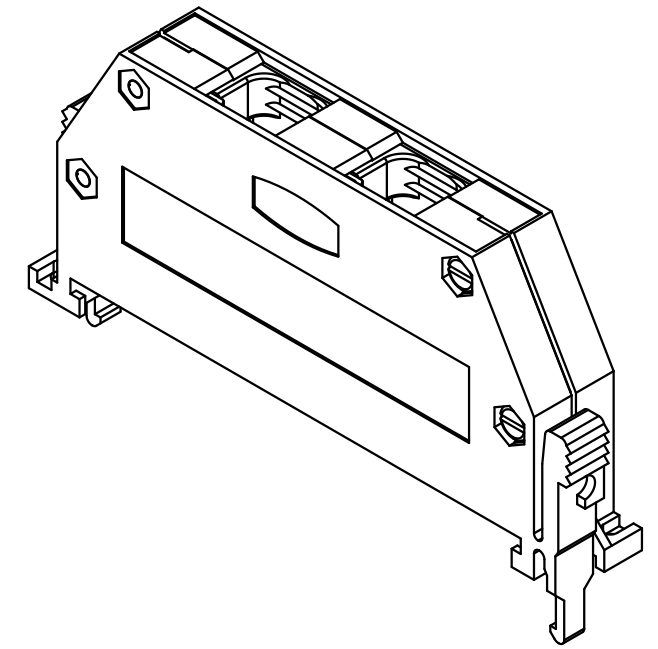
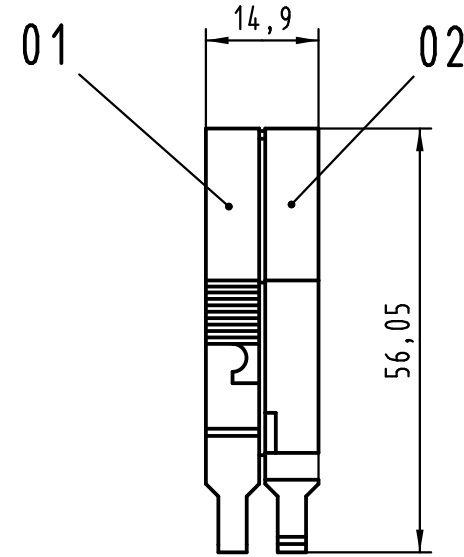
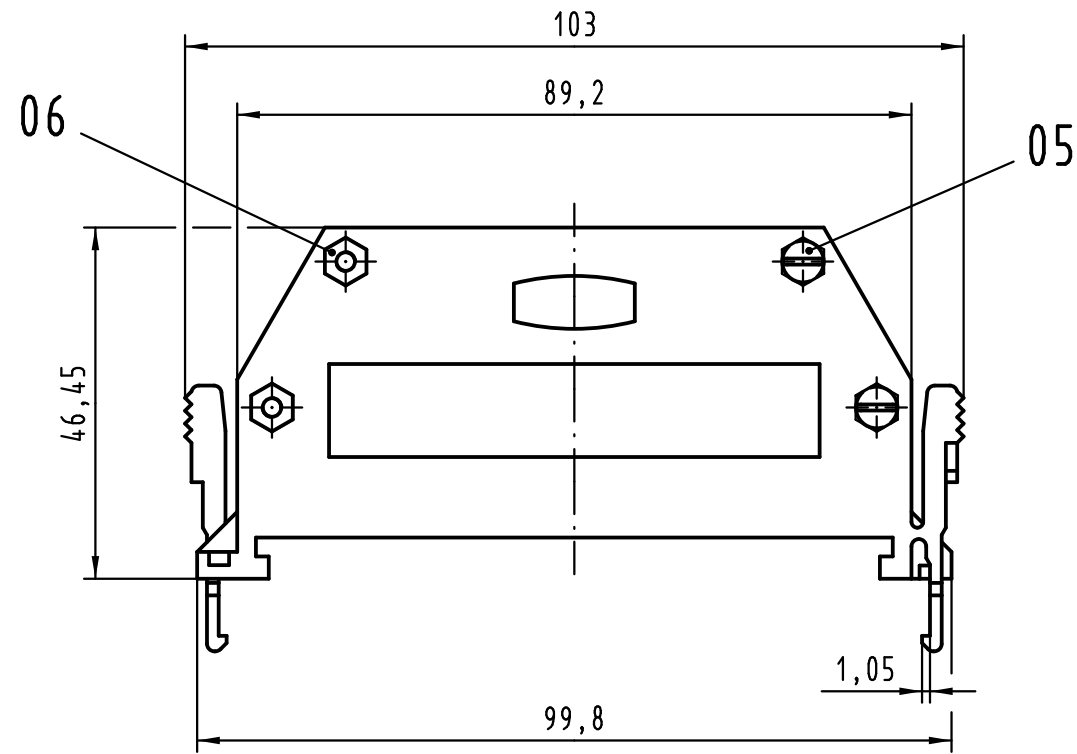
Tel: +86-755-8981 8866 Fax: +86-755-8427 6832

Email & Skype: info@chipsmall.com Web: www.chipsmall.com

Address: A1208, Overseas Decoration Building, #122 Zhenhua RD., Futian, Shenzhen, China



Alle Rechte vorbehalten/ All rights reserved



Inhalt Schalengehäuse A content shell housing A			Ersatzteile spare parts	
Pos. pos.	Anzahl number	Benennung description	Artikel Nr. part no.	Anzahl number
01	1	Gehäuseschale links casing shell left		
02	1	Gehäuseschale rechts casing shell right		
03	2	Kabelschelle cable clamp	09 06 001 9986 / Set	1
04	4	Blechschaube / tapping screw ISO 1481-ST2,9x9,5-F		2
05	4	Zylinderschraube / cheese head screw ISO 1207-M3x12-4.8		
06	4	Sechskantmutter / hexagonal nut ISO 4032-M3-8		

Teile nicht montiert
parts not assembled

All Dimensions in mm Original Size DIN A 3		Techn. Character.			Nicht tolerierte Maße / Free size tolerances	
		Dat.	Name	Maßstab / Scale	Schalengehäuse A gerader Kabelaussgang shell housing A top entry	
		Detail.	11.07.08 Hage.	1:1		
		Insp.	11.07.08 mte			
		Stand.				
36101	23.02.11	Hage.		HARTING Electronics GmbH & Co. KG D-32339 ESPELKAMP	TB 09 06 048 0402	
35224					Sub.	Blatt / page
Mod.	Dat.	Name				

