



Chipsmall Limited consists of a professional team with an average of over 10 year of expertise in the distribution of electronic components. Based in Hongkong, we have already established firm and mutual-benefit business relationships with customers from,Europe,America and south Asia,supplying obsolete and hard-to-find components to meet their specific needs.

With the principle of “Quality Parts,Customers Priority,Honest Operation,and Considerate Service”,our business mainly focus on the distribution of electronic components. Line cards we deal with include Microchip,ALPS,ROHM,Xilinx,Pulse,ON,Everlight and Freescale. Main products comprise IC,Modules,Potentiometer,IC Socket,Relay,Connector.Our parts cover such applications as commercial,industrial, and automotives areas.

We are looking forward to setting up business relationship with you and hope to provide you with the best service and solution. Let us make a better world for our industry!



Contact us

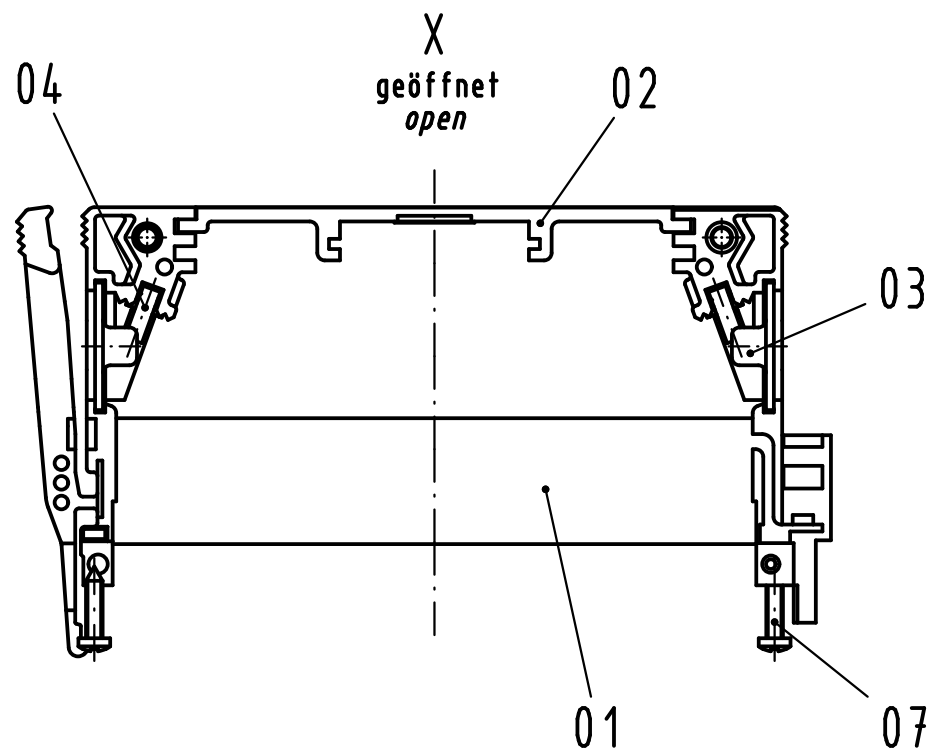
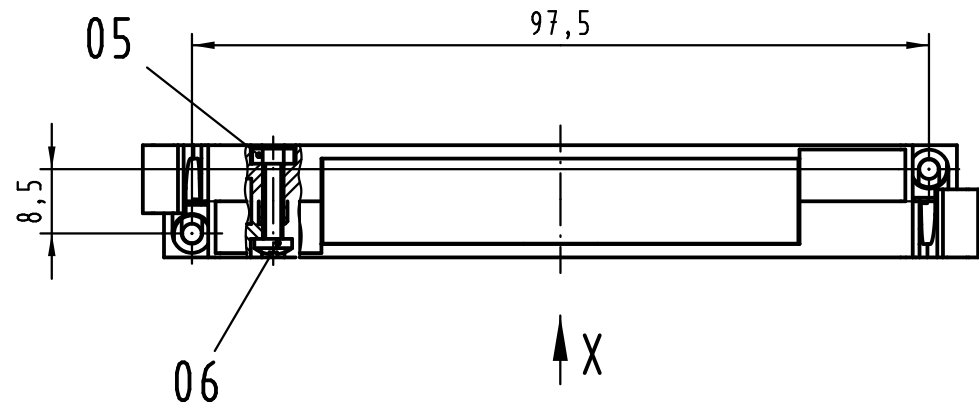
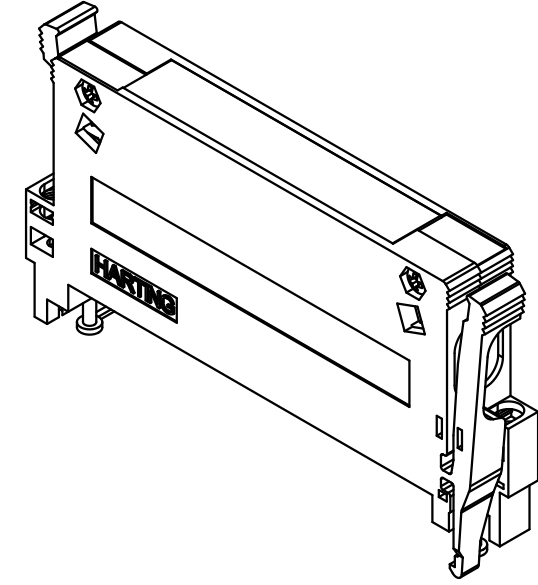
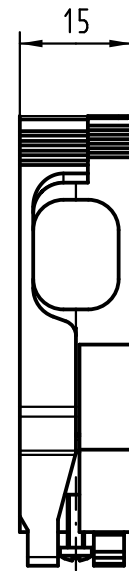
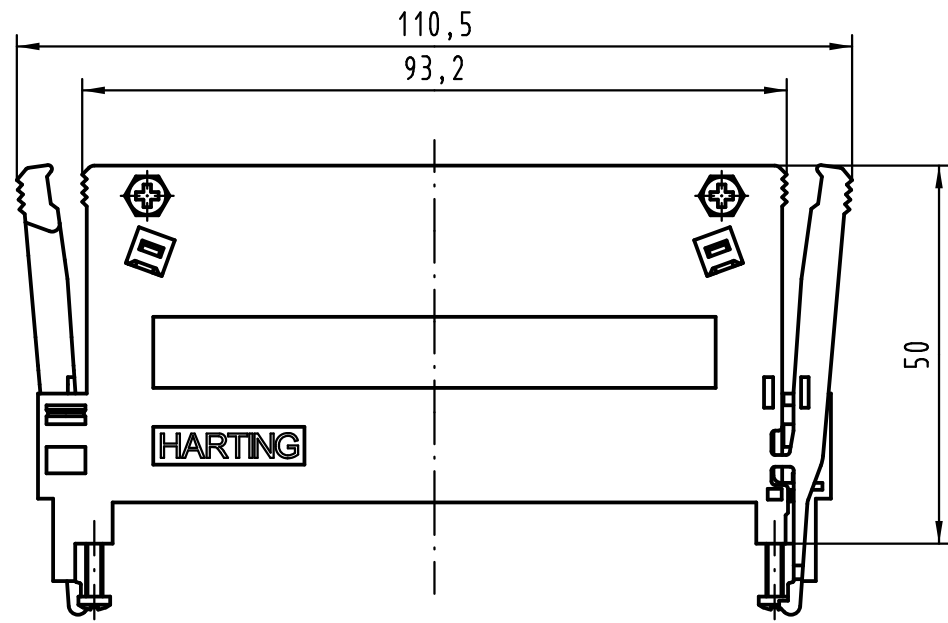
Tel: +86-755-8981 8866 Fax: +86-755-8427 6832

Email & Skype: info@chipsmall.com Web: www.chipsmall.com

Address: A1208, Overseas Decoration Building, #122 Zhenhua RD., Futian, Shenzhen, China



Alle Rechte vorbehalten/ All rights reserved



Inhalt GSchalengehäuse content shell housing			Ersatzteile spare parts	
Pos. pos.	Anzahl number	Benennung description	Artikel Nr. part no.	Anzahl number
01	2	Gehäuseschale casing shell		
02	1	Verschlussplatte blinding plate		
03	2	Blindstopfen blinding piece	09 06 000 9903	1
04	2	Kabelbinder cable tie		
05	2	Sechskantmutter/hexagonal nut M2,5	09 06 001 9973	1
06	2	Flachkopfschraube / pan head screw ISO 7045 M2,5x12-5.8-H		
07	2	Blechschaube / tapping screw ISO 7049-ST2,2x9,5-F-Z		

Teile nicht montiert
parts not assembled

All Dimensions in mm Original Size DIN A 3		Techn. Character.			Nicht tolerierte Maß/Free size tolerances	
		Dat.	Name	Maßstab/Scale	Schalengehäuse D 15mm für Federleisten Typ F, H und MH shell housing D 15mm for female connector type F, H and MH	
		Detail.	15.03.07 Hage.	1:1		
		Insp.	15.03.07 LeHT			
		Stand.				
36101	21.03.11	Hage.		HARTING Electronics GmbH & Co. KG D-32339 ESPELKAMP	TB 09 06 048 0515	Blatt/ page
34252						
Mod.	Dat.	Name				

