



Chipsmall Limited consists of a professional team with an average of over 10 year of expertise in the distribution of electronic components. Based in Hongkong, we have already established firm and mutual-benefit business relationships with customers from,Europe,America and south Asia,supplying obsolete and hard-to-find components to meet their specific needs.

With the principle of “Quality Parts,Customers Priority,Honest Operation,and Considerate Service”,our business mainly focus on the distribution of electronic components. Line cards we deal with include Microchip,ALPS,ROHM,Xilinx,Pulse,ON,Everlight and Freescale. Main products comprise IC,Modules,Potentiometer,IC Socket,Relay,Connector.Our parts cover such applications as commercial,industrial, and automotives areas.

We are looking forward to setting up business relationship with you and hope to provide you with the best service and solution. Let us make a better world for our industry!



Contact us

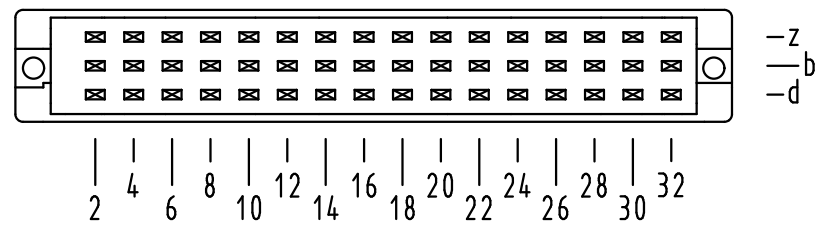
Tel: +86-755-8981 8866 Fax: +86-755-8427 6832

Email & Skype: info@chipsmall.com Web: www.chipsmall.com

Address: A1208, Overseas Decoration Building, #122 Zhenhua RD., Futian, Shenzhen, China

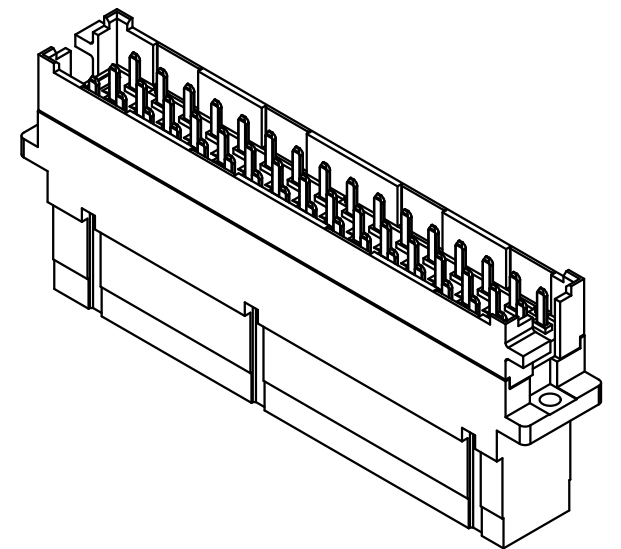
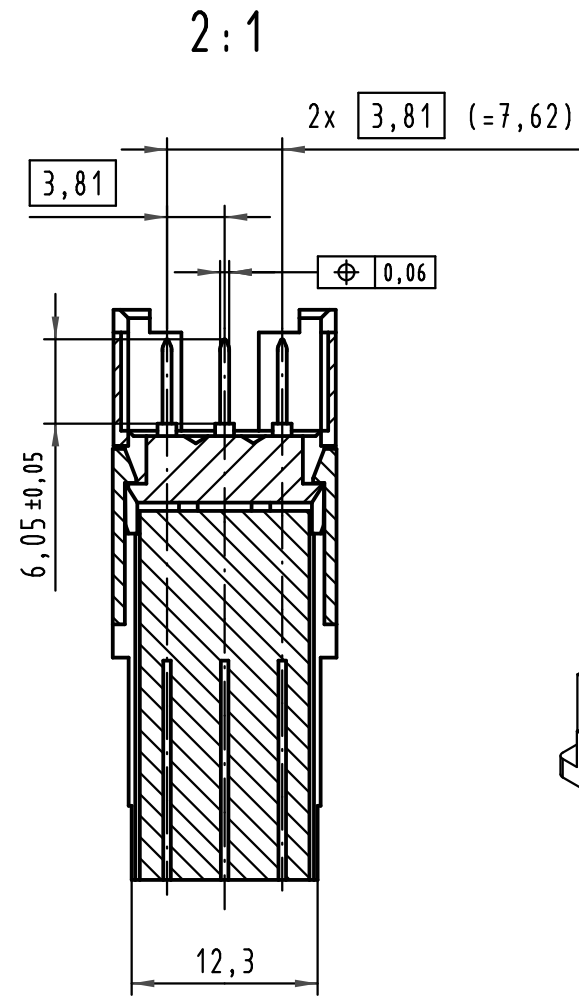
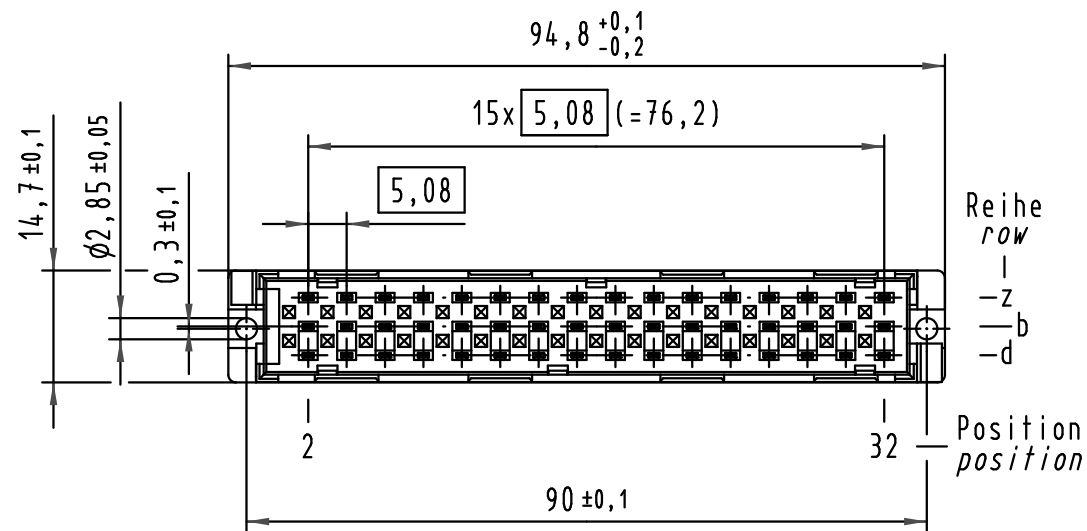
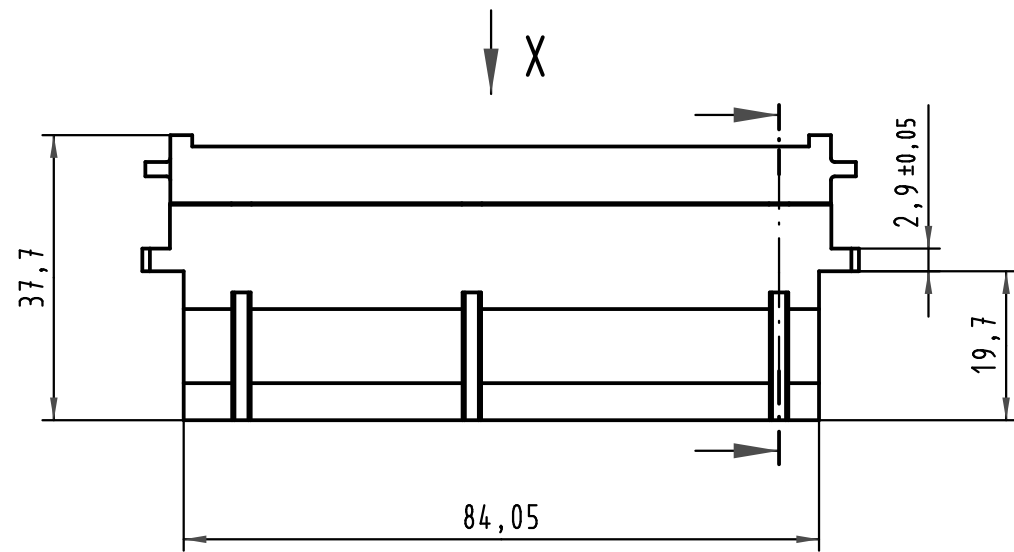


X
Kontaktanordnung
contact arrangement



48 Messerkontakte
48 male contacts

- ⊗ = Kontaktposition belegt
= position with contact
- = Kontaktposition nicht belegt
= position without contact



Alle Rechte vorbehalten/ All rights reserved

All Dimensions in mm Original Size DIN A 3		Techn. Character. IEC 60603-2			Nicht tolerierte Maße/Free size tolerances IEC 60603-2	
			Dat.	Name	Maßstab/Scale 1:1 2:1	Übergangselement I mit Crimpanschluss für Federkontakte <i>interface connector I</i> <i>utilising female crimp contacts</i>
			Insp.	mte		
			Stand.			
34189		HARTING Electronics GmbH & Co. KG				TB 09 06 048 2906
Mod.	Dat.	Name	D-32339 ESPELKAMP			