



Chipsmall Limited consists of a professional team with an average of over 10 year of expertise in the distribution of electronic components. Based in Hongkong, we have already established firm and mutual-benefit business relationships with customers from,Europe,America and south Asia,supplying obsolete and hard-to-find components to meet their specific needs.

With the principle of “Quality Parts,Customers Priority,Honest Operation,and Considerate Service”,our business mainly focus on the distribution of electronic components. Line cards we deal with include Microchip,ALPS,ROHM,Xilinx,Pulse,ON,Everlight and Freescale. Main products comprise IC,Modules,Potentiometer,IC Socket,Relay,Connector.Our parts cover such applications as commercial,industrial, and automotives areas.

We are looking forward to setting up business relationship with you and hope to provide you with the best service and solution. Let us make a better world for our industry!



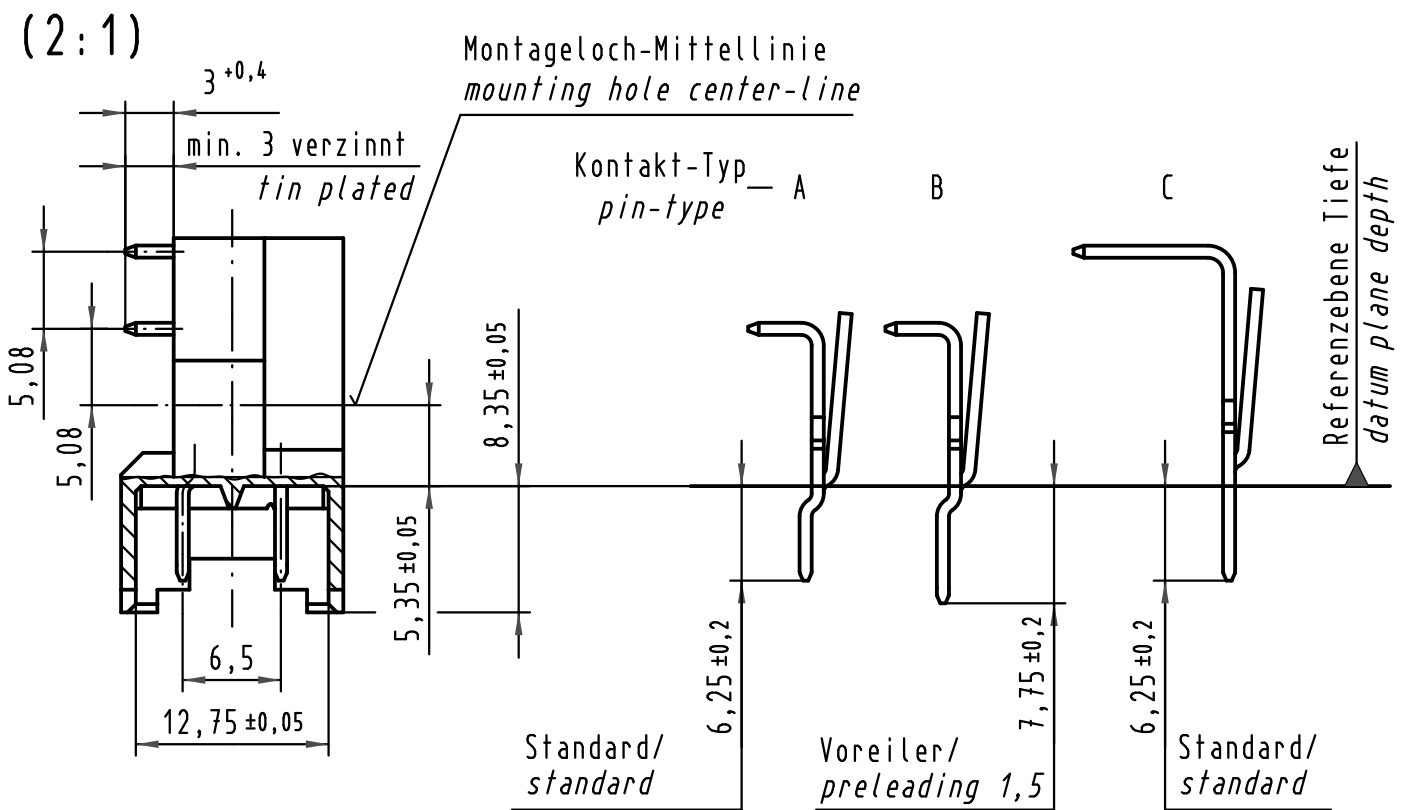
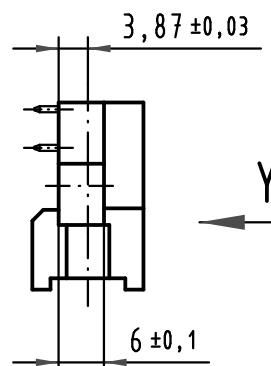
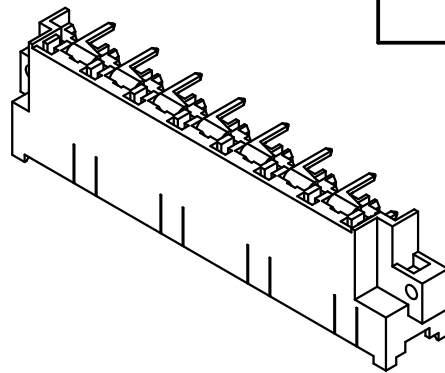
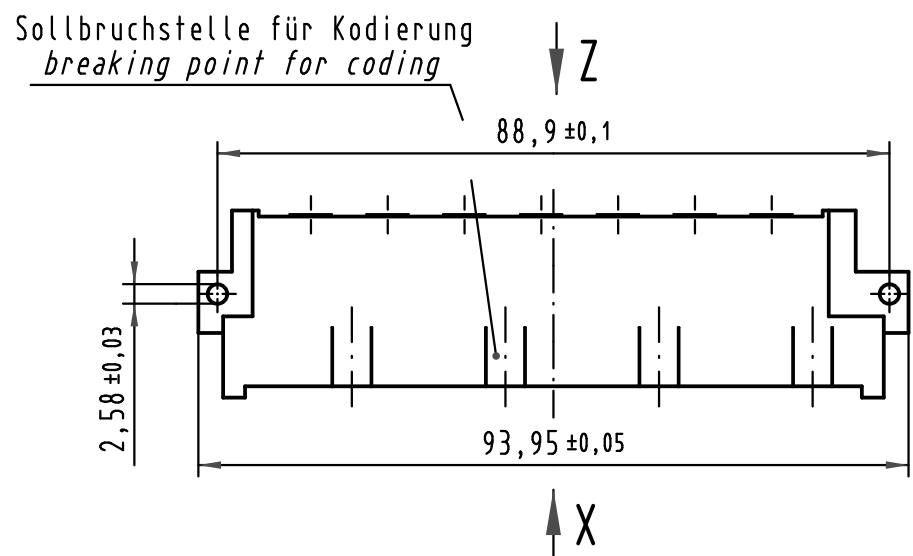
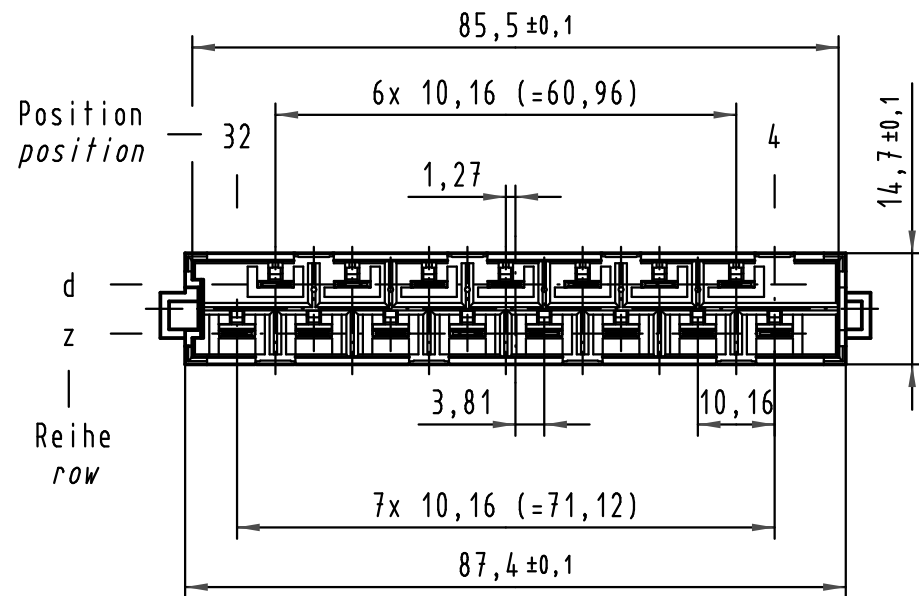
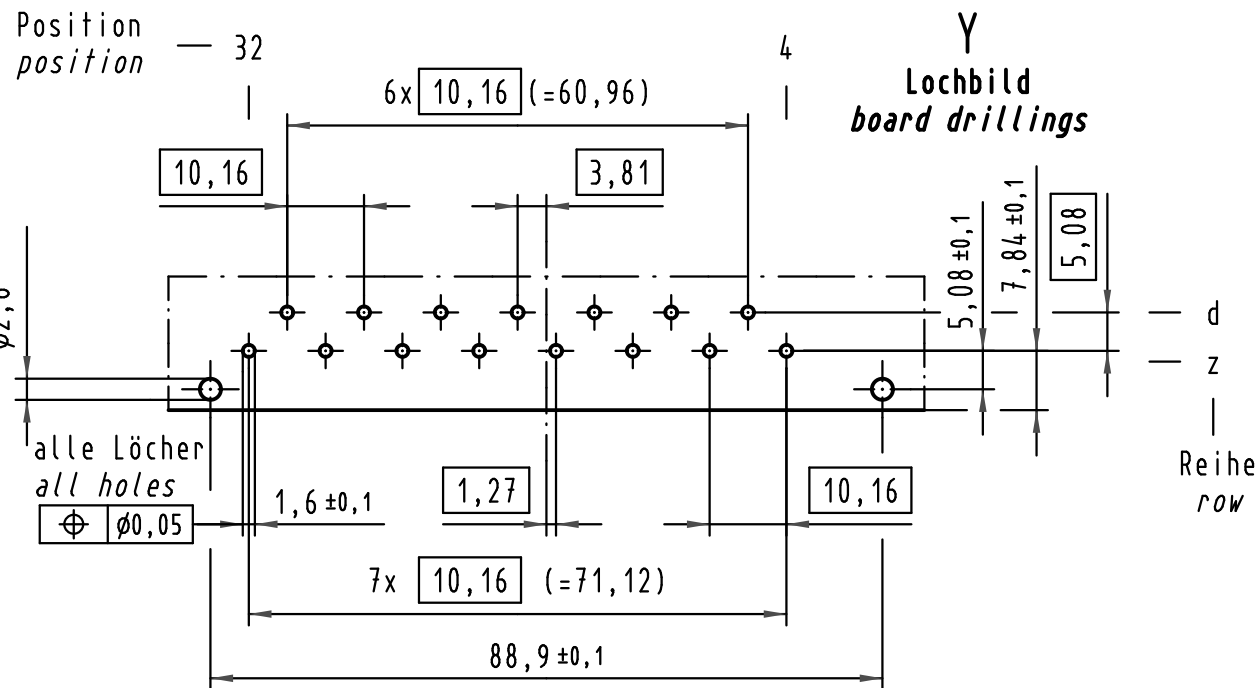
Contact us

Tel: +86-755-8981 8866 Fax: +86-755-8427 6832

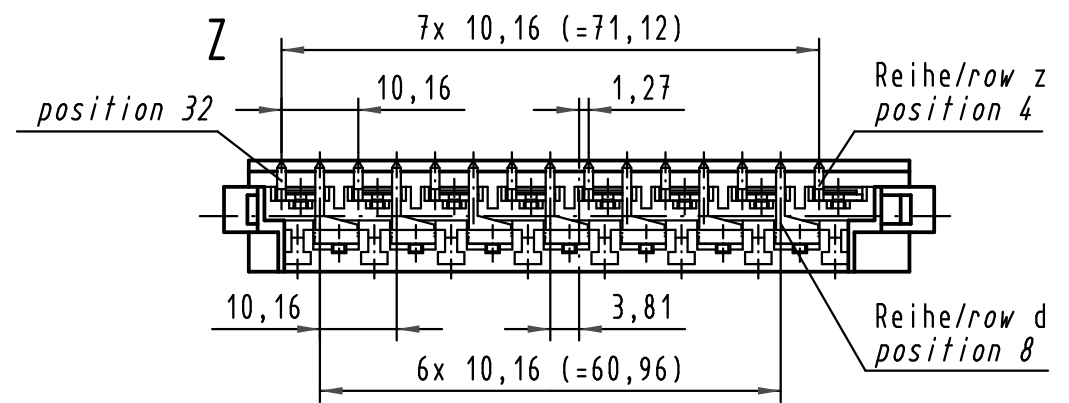
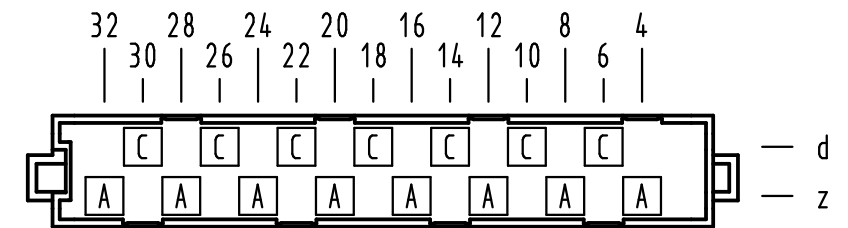
Email & Skype: info@chipsmall.com Web: www.chipsmall.com

Address: A1208, Overseas Decoration Building, #122 Zhenhua RD., Futian, Shenzhen, China





X Kontaktbelegung contact loading



Ag over Ni		Sn over Ag over Ni	
Steckbereich contact area		Anschlußbereich termination area	
All Dimensions in mm Original Size DIN A 3			
Techn. Character.			
		Dat.	Name
		Maßstab/Scale	
		1:1	
36006	14.09.10	Hage.	Insp. 13.10.04 kfoe
34032	06.11.06	LehT	Stand.
33329	17.01.06	Ge.	
32352			
Mod.	Dat.	Name	
HARTING Electronics GmbH & Co. KG D-32339 ESPELKAMP			

weitere Informationen siehe: DS 09 06 100 00 01
further information see: DS 09 06 100 00 01

Nicht tolerierte Maß Free size tolerances
IEC 60603-2

Bauform/type H 15
Messerleiste Einlöt gewinkelt
male connector solder angled

TB 09 06 115 2911

Blatt/page