



Chipsmall Limited consists of a professional team with an average of over 10 year of expertise in the distribution of electronic components. Based in Hongkong, we have already established firm and mutual-benefit business relationships with customers from,Europe,America and south Asia,supplying obsolete and hard-to-find components to meet their specific needs.

With the principle of “Quality Parts,Customers Priority,Honest Operation,and Considerate Service”,our business mainly focus on the distribution of electronic components. Line cards we deal with include Microchip,ALPS,ROHM,Xilinx,Pulse,ON,Everlight and Freescale. Main products comprise IC,Modules,Potentiometer,IC Socket,Relay,Connector.Our parts cover such applications as commercial,industrial, and automotives areas.

We are looking forward to setting up business relationship with you and hope to provide you with the best service and solution. Let us make a better world for our industry!



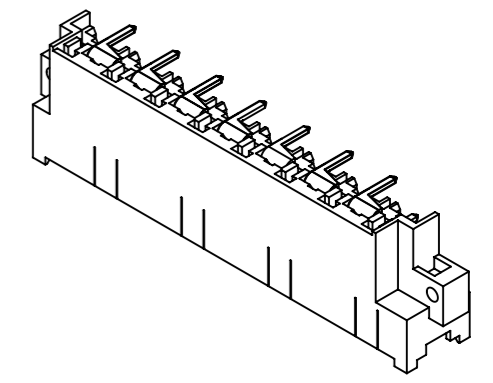
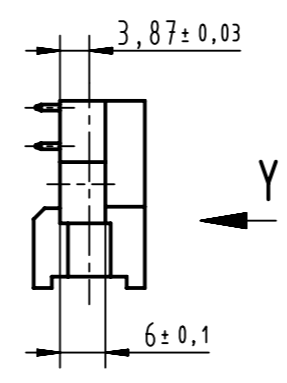
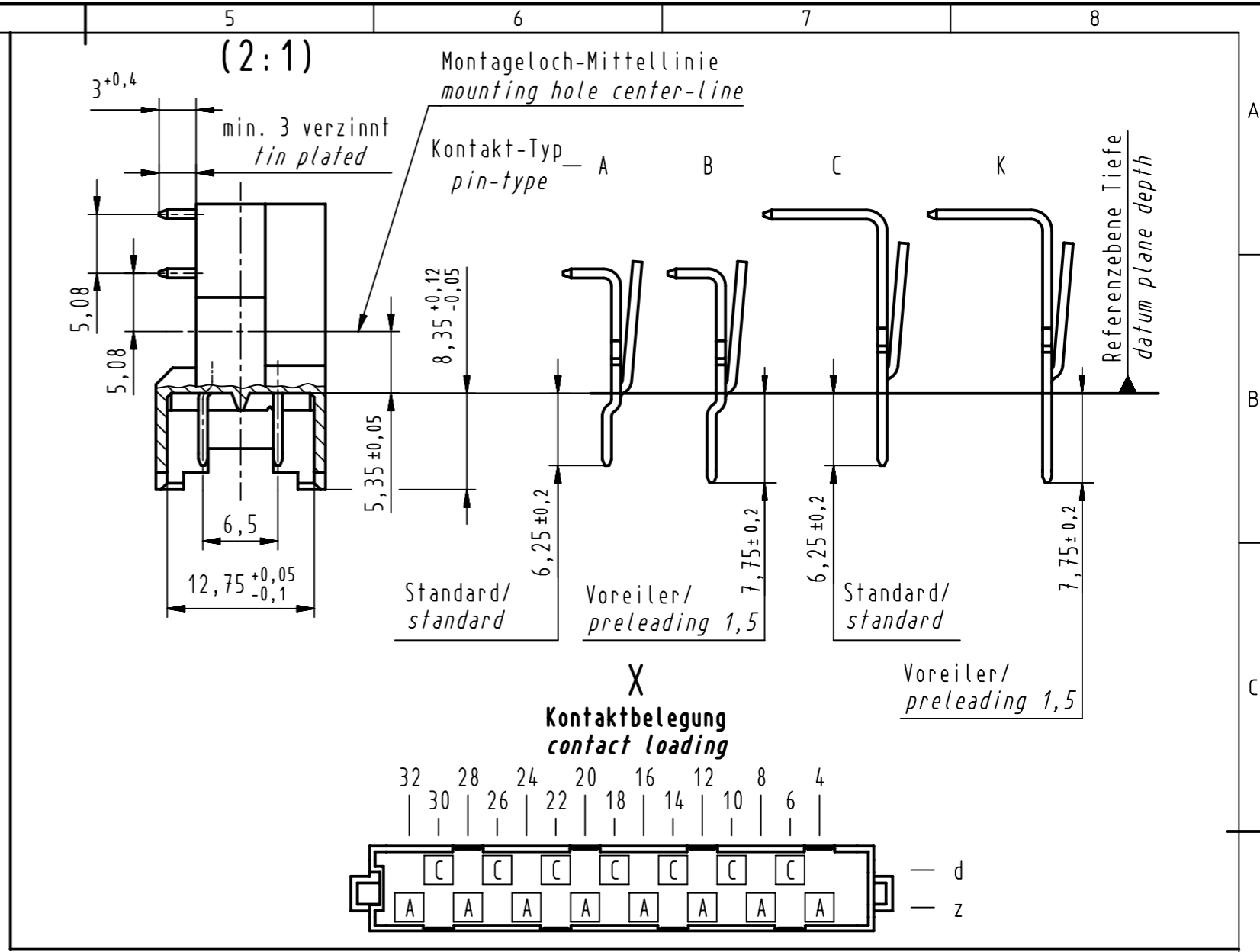
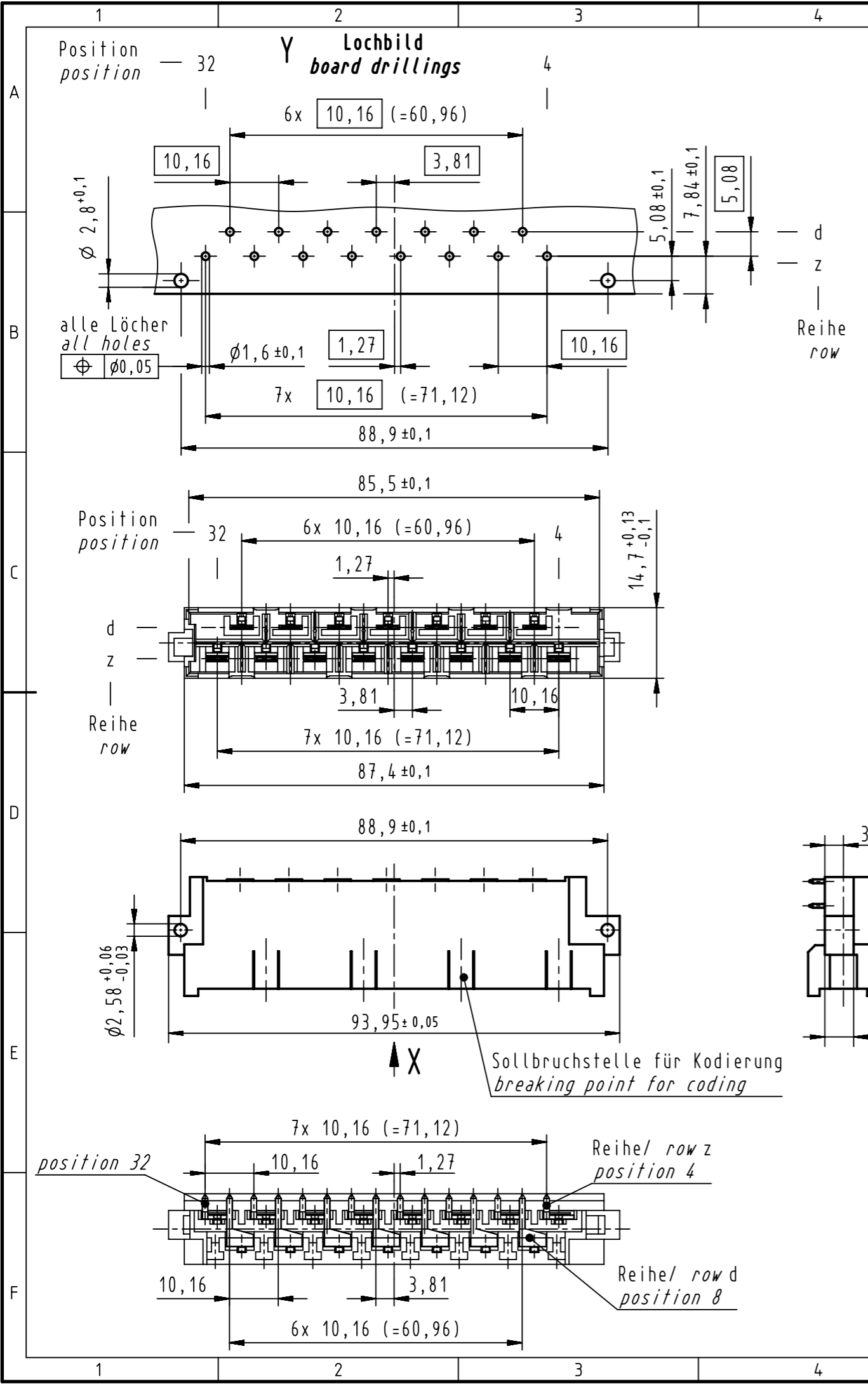
## Contact us

Tel: +86-755-8981 8866 Fax: +86-755-8427 6832

Email & Skype: info@chipsmall.com Web: www.chipsmall.com

Address: A1208, Overseas Decoration Building, #122 Zhenhua RD., Futian, Shenzhen, China





Nur steckbar mit HARTING DIN NFF Gegenstecker  
only mateable with HARTING DIN NFF connector  
weitere Informationen siehe: DS 09 06 122 02 01  
further information see: DS 09 06 122 02 01

Ag over Ni	Sn over Ag over Ni
Steckbereich contact area	Anschlussbereich termination area

	All Dimensions in mm Original Size DIN A3	Scale 1:1	Free size tol. complementary IEC 60603-2	Ref. Sub. TB 09061152911222 Mod. 36469 22.12.11	
	All rights reserved Department EC PD - DE	Created by LEHNERT	Inspected by DAHMS	Standardisation HOFFMANN	Date 2013-04-17
HARTING Electronics GmbH D-32339 Espelkamp		Title DIN Power type H15 male solder NFF			Doc-Key / ECM-Nr. 100184612/UGD/054/A 50000060705
		Type TB	Number 09061152911222		Rev. A Page 1/1