



Chipsmall Limited consists of a professional team with an average of over 10 year of expertise in the distribution of electronic components. Based in Hongkong, we have already established firm and mutual-benefit business relationships with customers from,Europe,America and south Asia,supplying obsolete and hard-to-find components to meet their specific needs.

With the principle of “Quality Parts,Customers Priority,Honest Operation,and Considerate Service”,our business mainly focus on the distribution of electronic components. Line cards we deal with include Microchip,ALPS,ROHM,Xilinx,Pulse,ON,Everlight and Freescale. Main products comprise IC,Modules,Potentiometer,IC Socket,Relay,Connector.Our parts cover such applications as commercial,industrial, and automotives areas.

We are looking forward to setting up business relationship with you and hope to provide you with the best service and solution. Let us make a better world for our industry!



Contact us

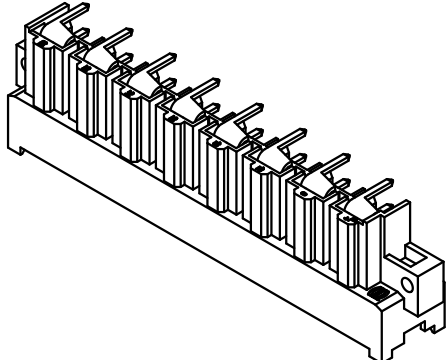
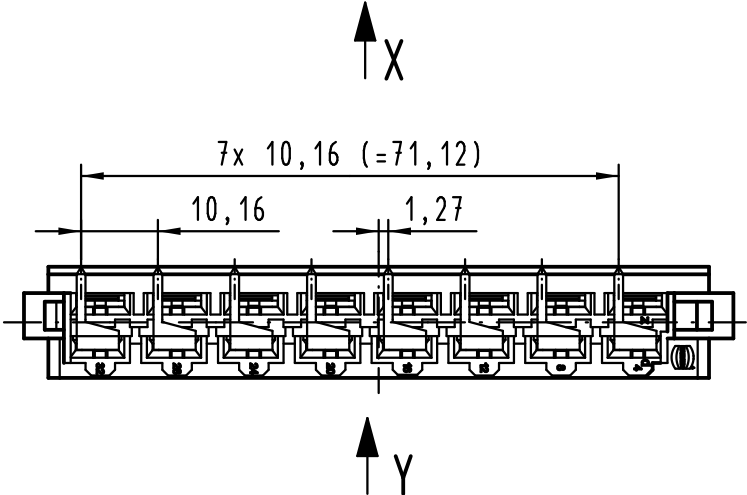
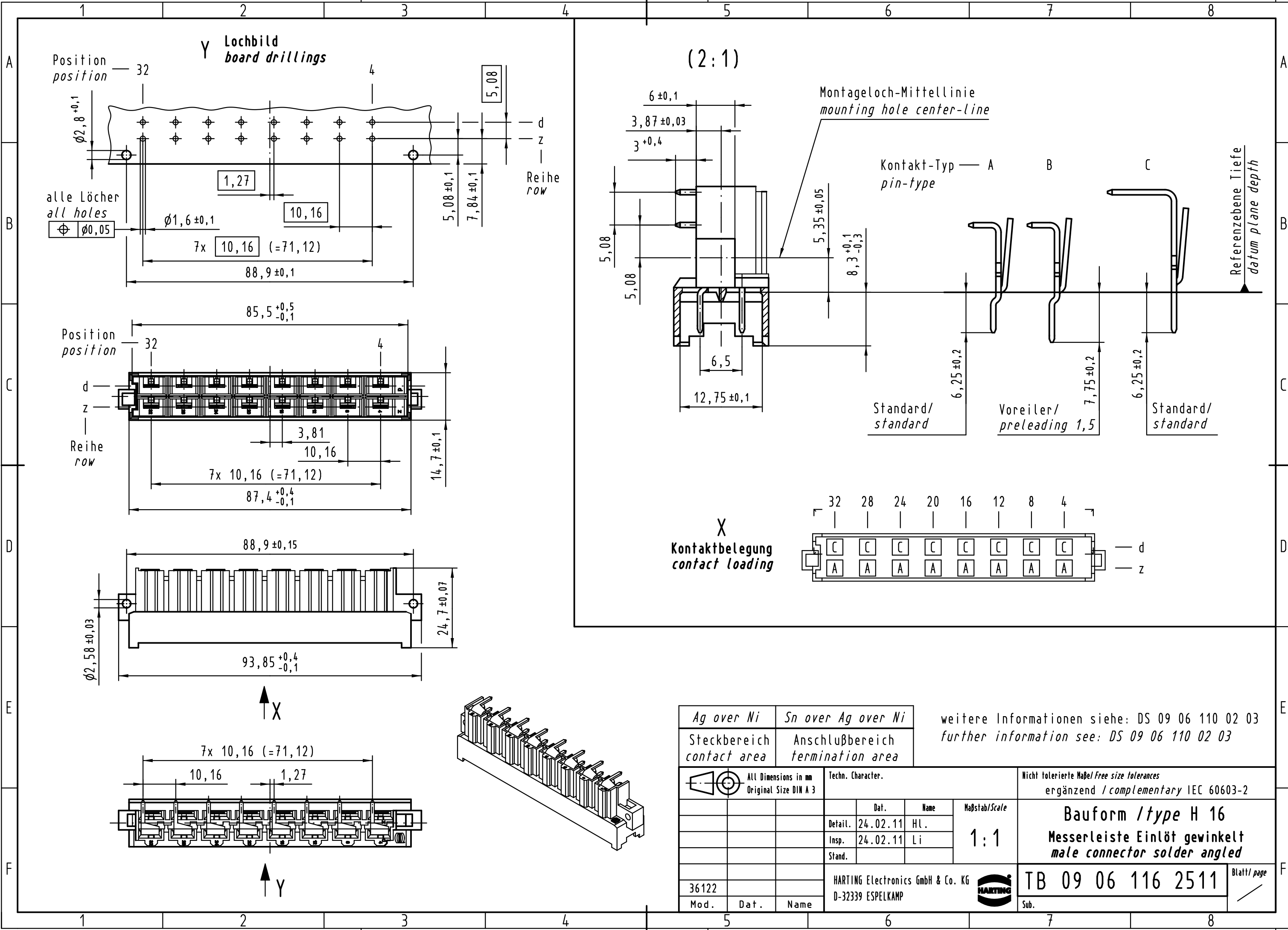
Tel: +86-755-8981 8866 Fax: +86-755-8427 6832

Email & Skype: info@chipsmall.com Web: www.chipsmall.com

Address: A1208, Overseas Decoration Building, #122 Zhenhua RD., Futian, Shenzhen, China



Alle Rechte vorbehalten/ All rights reserved



Ag over Ni	Sn over Ag over Ni
Steckbereich contact area	Anschlußbereich termination area

weitere Informationen siehe: DS 09 06 110 02 03
further information see: DS 09 06 110 02 03

All Dimensions in mm Original Size DIN A 3	Techn. Character.			Nicht tolerierte Maße/Free size tolerances ergänzend/complementary IEC 60603-2	
		Dat.	Name	Maßstab/Scale	
	Detail.	24.02.11	HL.	1:1	
	Insp.	24.02.11	Li		
	Stand.				
36122	HARTING Electronics GmbH & Co. KG			TB 09 06 116 2511	
Mod.	Dat.	Name	D-32339 ESPELKAMP		
					Blatt/page