



Chipsmall Limited consists of a professional team with an average of over 10 year of expertise in the distribution of electronic components. Based in Hongkong, we have already established firm and mutual-benefit business relationships with customers from,Europe,America and south Asia,supplying obsolete and hard-to-find components to meet their specific needs.

With the principle of “Quality Parts,Customers Priority,Honest Operation,and Considerate Service”,our business mainly focus on the distribution of electronic components. Line cards we deal with include Microchip,ALPS,ROHM,Xilinx,Pulse,ON,Everlight and Freescale. Main products comprise IC,Modules,Potentiometer,IC Socket,Relay,Connector.Our parts cover such applications as commercial,industrial, and automotives areas.

We are looking forward to setting up business relationship with you and hope to provide you with the best service and solution. Let us make a better world for our industry!



## Contact us

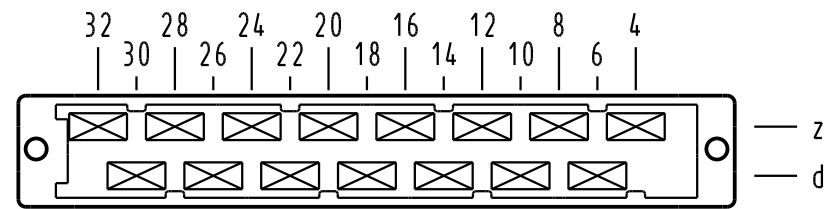
Tel: +86-755-8981 8866 Fax: +86-755-8427 6832

Email & Skype: info@chipsmall.com Web: www.chipsmall.com

Address: A1208, Overseas Decoration Building, #122 Zhenhua RD., Futian, Shenzhen, China



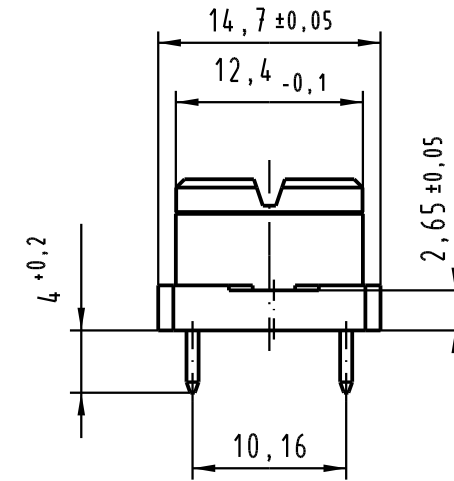
X Kontaktanordnung / contact arrangement



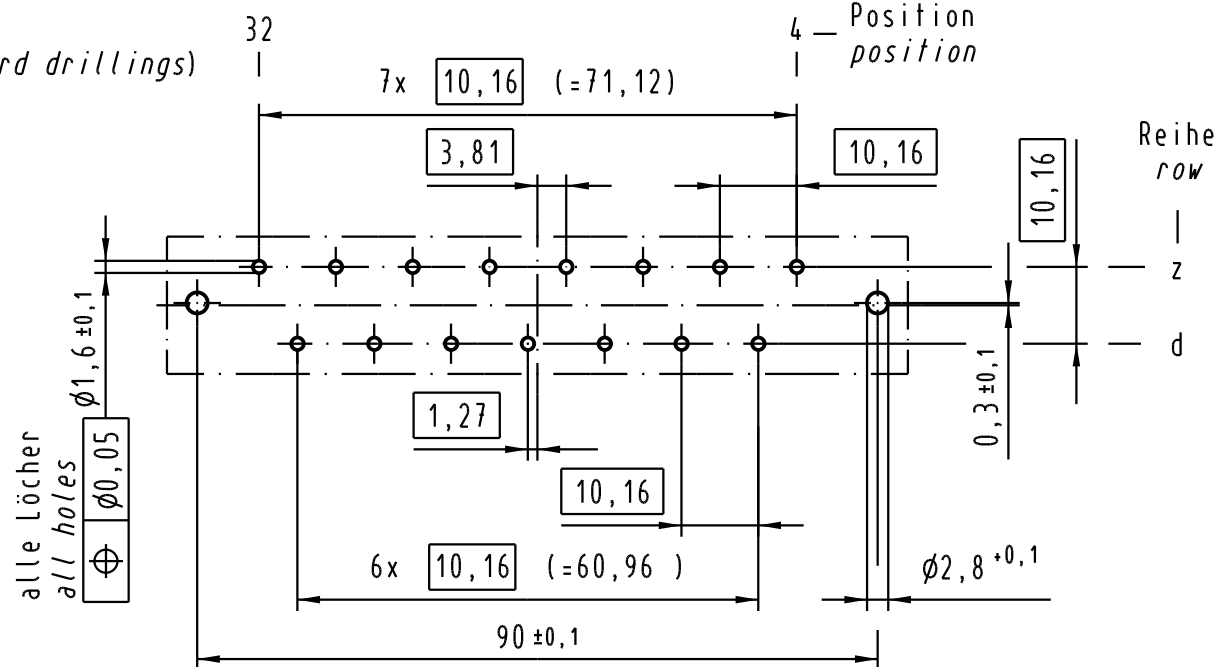
15 Kontakte  
15 contacts

- = Kontaktposition belegt  
= position with contact
- = Kontaktposition nicht belegt  
= position without contact

Z  
2:1

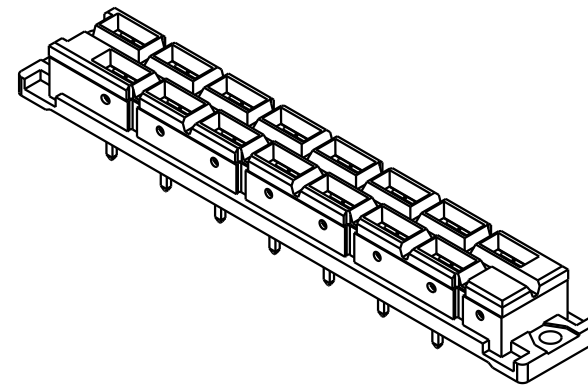
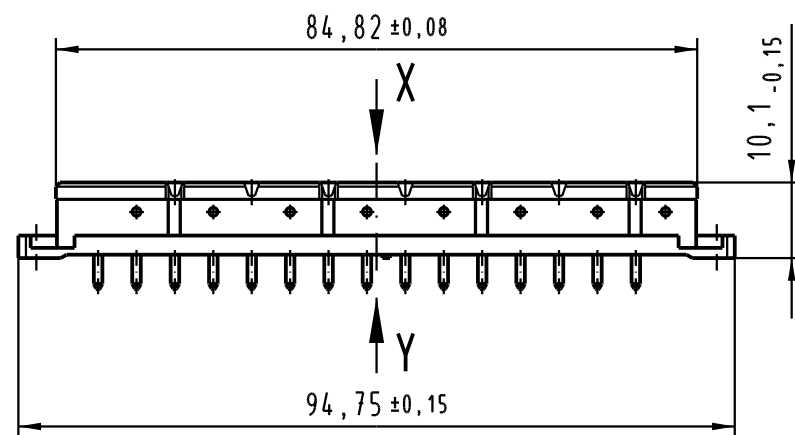


X (Lochbild / board drillings)

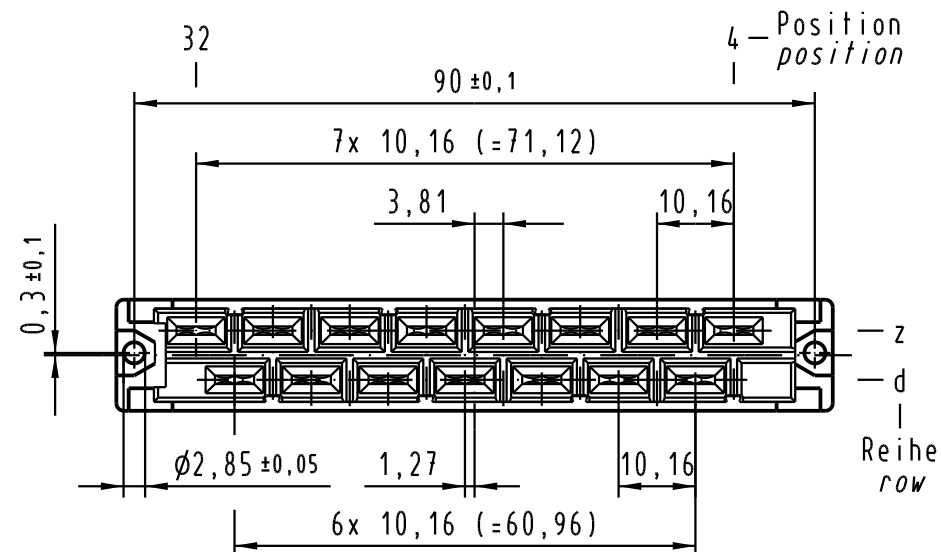
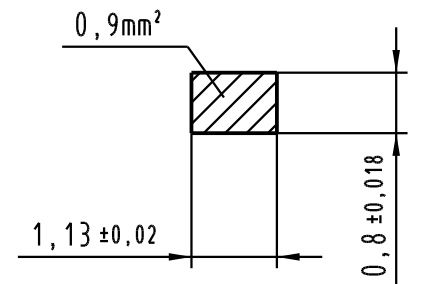


alle Löcher  
all holes  
Ø 1,6 ± 0,1  
Ø 0,05

Reihe  
row  
z  
d



Y  
10:1  
Querschnitt der Lötanschlüsse:  
cross-section of solder terminations:



Reihe  
row  
z  
d

Kontaktfläche Ag  
contact plating Ag

		All Dimensions in mm Original Size DIN A 3		Techn. Character. IEC 60603-2		Nicht tolerierte Maß / Free size tolerances IEC 60603-2	
				Dat. Name		Maßstab / Scale	
				Detail. 25.05.04 Leh.		1:1	
				Insp. 25.05.04 kfoe		2:1	
				Stand.		Bauform / type H 15 low profile Federleiste Einlöt 4,0 female connector solder 4,0	
32581 21.02.05 Leh.		HARTING Electronics GmbH & Co. KG D-32339 ESPELKAMP				TB 09 06 215 2821 Blatt / page	
32041						Sub. 09 06 215 2821 Mod. 5080 v. 29.07.88	
Mod. Dat. Name							