



Chipsmall Limited consists of a professional team with an average of over 10 year of expertise in the distribution of electronic components. Based in Hongkong, we have already established firm and mutual-benefit business relationships with customers from,Europe,America and south Asia,supplying obsolete and hard-to-find components to meet their specific needs.

With the principle of “Quality Parts,Customers Priority,Honest Operation,and Considerate Service”,our business mainly focus on the distribution of electronic components. Line cards we deal with include Microchip,ALPS,ROHM,Xilinx,Pulse,ON,Everlight and Freescale. Main products comprise IC,Modules,Potentiometer,IC Socket,Relay,Connector.Our parts cover such applications as commercial,industrial, and automotives areas.

We are looking forward to setting up business relationship with you and hope to provide you with the best service and solution. Let us make a better world for our industry!



Contact us

Tel: +86-755-8981 8866 Fax: +86-755-8427 6832

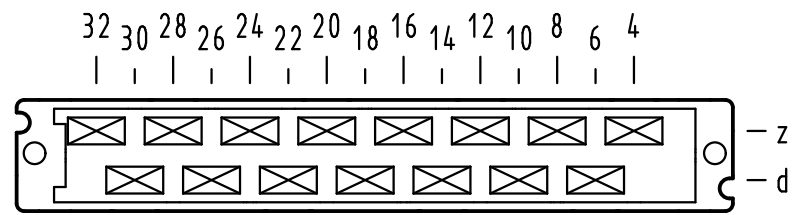
Email & Skype: info@chipsmall.com Web: www.chipsmall.com

Address: A1208, Overseas Decoration Building, #122 Zhenhua RD., Futian, Shenzhen, China



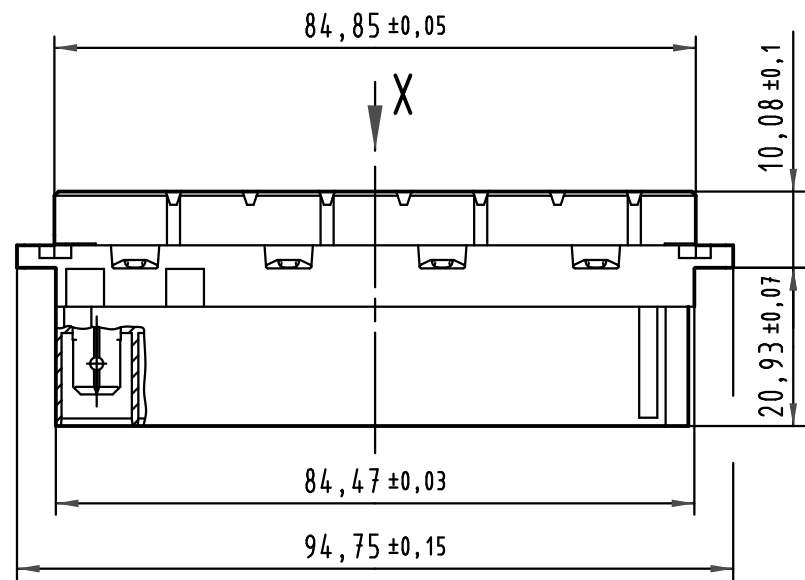
Alle Rechte vorbehalten/ All rights reserved

X Kontaktanordnung/ contact arrangement



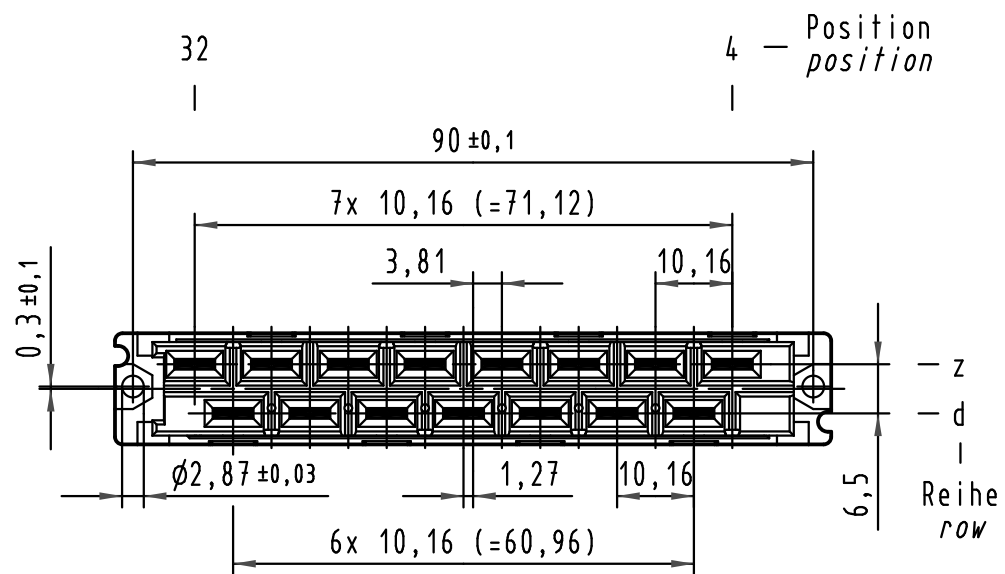
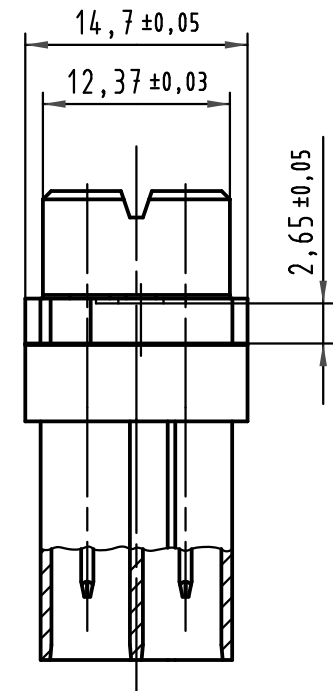
15 Kontakte
15 contacts

- = Kontaktposition belegt
= position with contact
- = Kontaktposition nicht belegt
= position without contact



Z

Z
2:1



Kontaktfläche Ag
contact surface Ag

All Dimensions in mm Original Size DIN A 3			Techn. Character.			Nicht tolerierte Maß/Free size tolerances IEC 60603-2		
				Dat.	Name	Maßstab/Scale 1:1 2:1	Bauform/type H 15 Federleiste Faston längs female connector faston along	
			Detail.	25.11.04	Leh.			
			Insp.	25.11.04	kfoe			
35258	02.09.08	LehT	Stand.				TB 09 06 215 2871 Blatt/page	
33602	08.05.06	Leh.	HARTING Electronics GmbH & Co. KG					
32417			D-32339 ESPELKAMP					
Mod.	Dat.	Name	HARTING			Sub.TB 09 06 215 2871 Mod.11444 v.22.03.91		

