



Chipsmall Limited consists of a professional team with an average of over 10 year of expertise in the distribution of electronic components. Based in Hongkong, we have already established firm and mutual-benefit business relationships with customers from,Europe,America and south Asia,supplying obsolete and hard-to-find components to meet their specific needs.

With the principle of “Quality Parts,Customers Priority,Honest Operation,and Considerate Service”,our business mainly focus on the distribution of electronic components. Line cards we deal with include Microchip,ALPS,ROHM,Xilinx,Pulse,ON,Everlight and Freescale. Main products comprise IC,Modules,Potentiometer,IC Socket,Relay,Connector.Our parts cover such applications as commercial,industrial, and automotives areas.

We are looking forward to setting up business relationship with you and hope to provide you with the best service and solution. Let us make a better world for our industry!



## Contact us

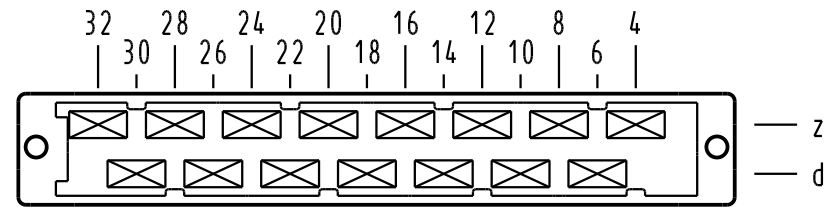
Tel: +86-755-8981 8866 Fax: +86-755-8427 6832

Email & Skype: info@chipsmall.com Web: www.chipsmall.com

Address: A1208, Overseas Decoration Building, #122 Zhenhua RD., Futian, Shenzhen, China



X Kontaktanordnung / contact arrangement

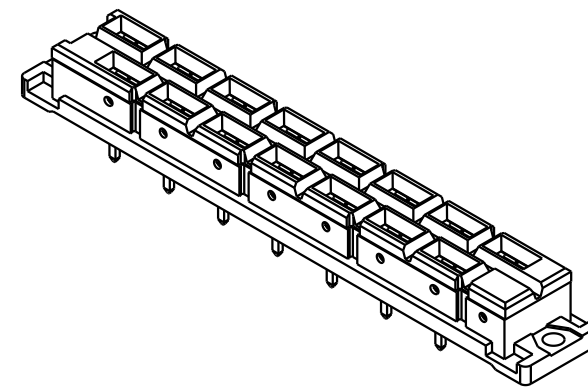
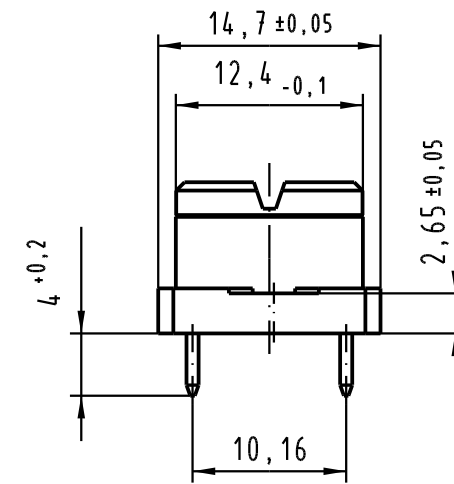
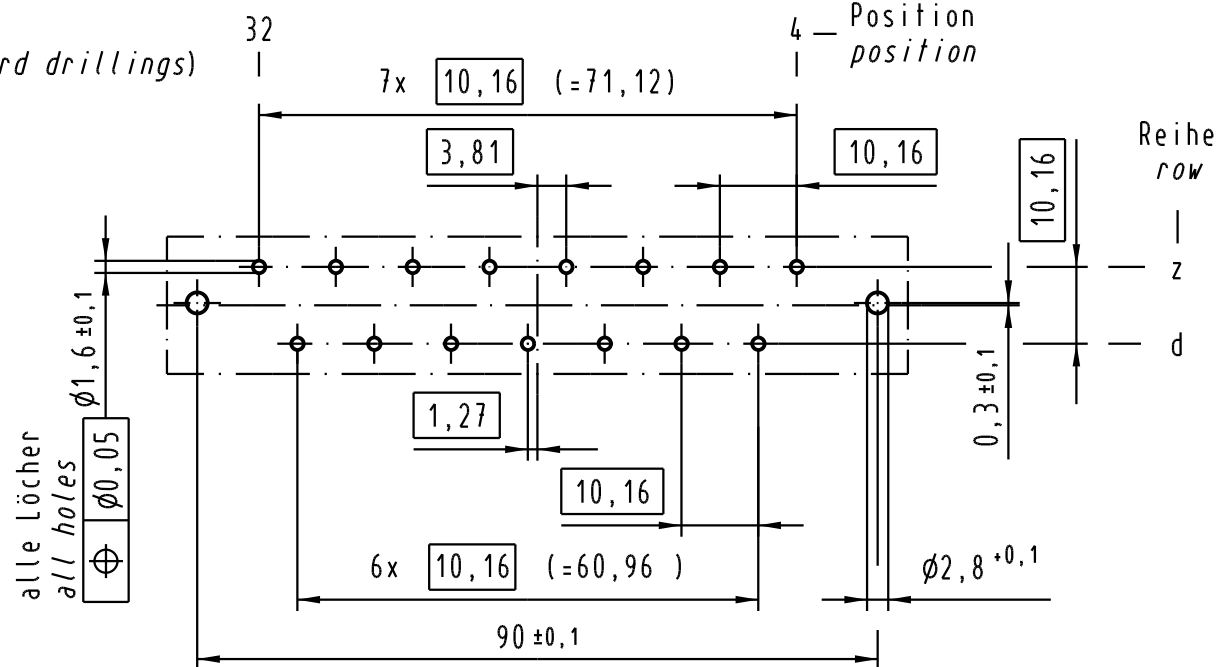


15 Kontakte  
15 contacts

- = Kontaktposition belegt  
= position with contact
- = Kontaktposition nicht belegt  
= position without contact

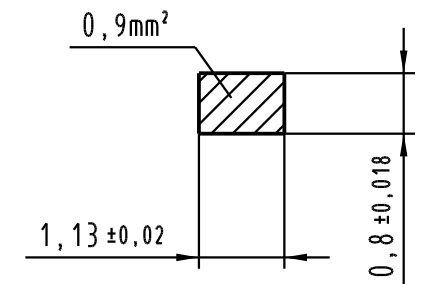
Z  
2:1

X (Lochbild / board drillings)

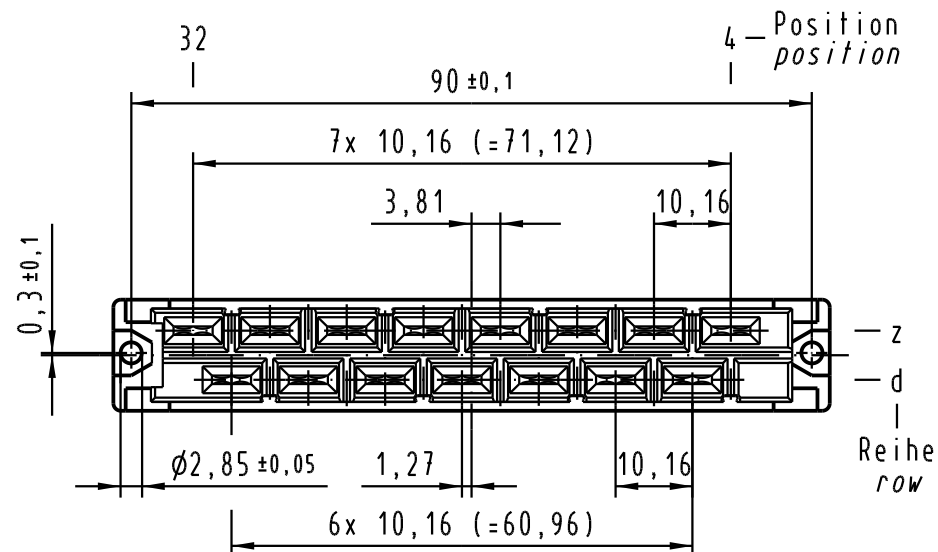


Y  
10:1

Querschnitt der Lötanschlüsse:  
cross-section of solder terminations:



Kontaktfläche Au über Ni  
contact plating Au over Ni



All Dimensions in mm Original Size DIN A 3		Techn. Character. IEC 60603-2		Nicht tolerierte Maß / Free size tolerances IEC 60603-2	
		Dat. Name 25.05.04 Leh.		Maßstab / Scale 1:1 2:1	
		Insp. 25.05.04 kfoe			
		Stand.			
32581	21.02.05	Leh.	HARTING Electronics GmbH & Co. KG D-32339 ESPELKAMP		Bauform / type H 15 low profile Federleiste Einlöt 4,0 female connector solder 4,0
32041					
Mod.	Dat.	Name	TB 09 06 215 2892		Blatt / page

Alle Rechte vorbehalten / All rights reserved