



Chipsmall Limited consists of a professional team with an average of over 10 year of expertise in the distribution of electronic components. Based in Hongkong, we have already established firm and mutual-benefit business relationships with customers from,Europe,America and south Asia,supplying obsolete and hard-to-find components to meet their specific needs.

With the principle of “Quality Parts,Customers Priority,Honest Operation,and Considerate Service”,our business mainly focus on the distribution of electronic components. Line cards we deal with include Microchip,ALPS,ROHM,Xilinx,Pulse,ON,Everlight and Freescale. Main products comprise IC,Modules,Potentiometer,IC Socket,Relay,Connector.Our parts cover such applications as commercial,industrial, and automotives areas.

We are looking forward to setting up business relationship with you and hope to provide you with the best service and solution. Let us make a better world for our industry!



Contact us

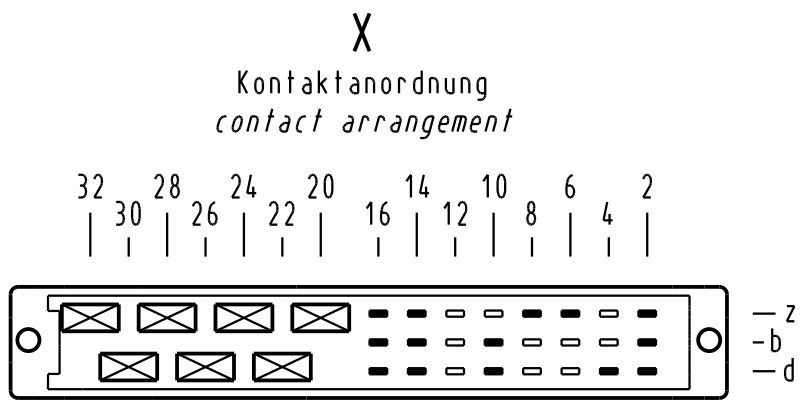
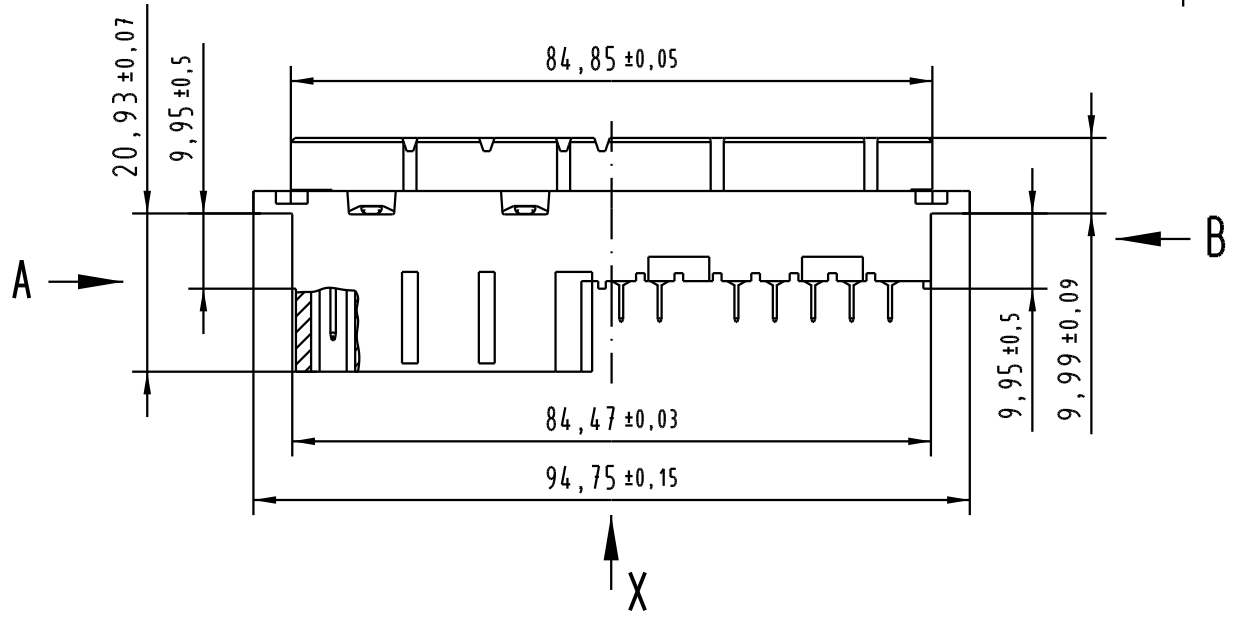
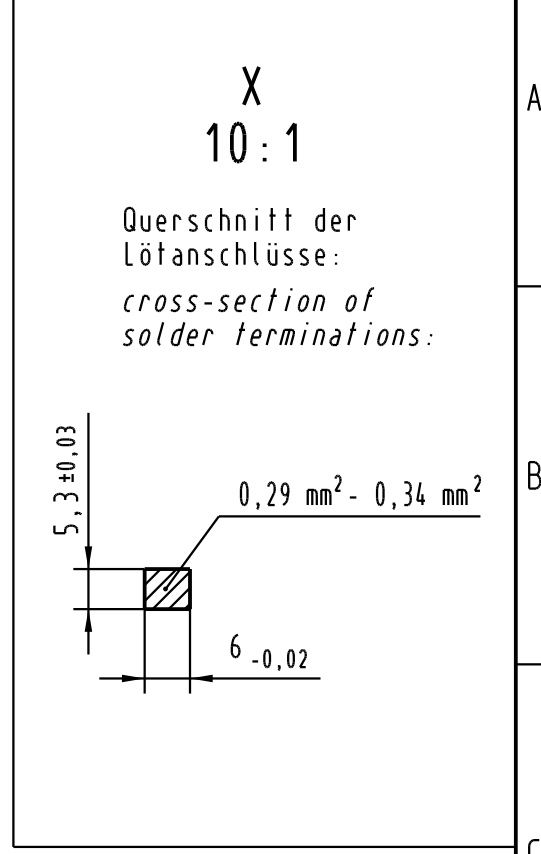
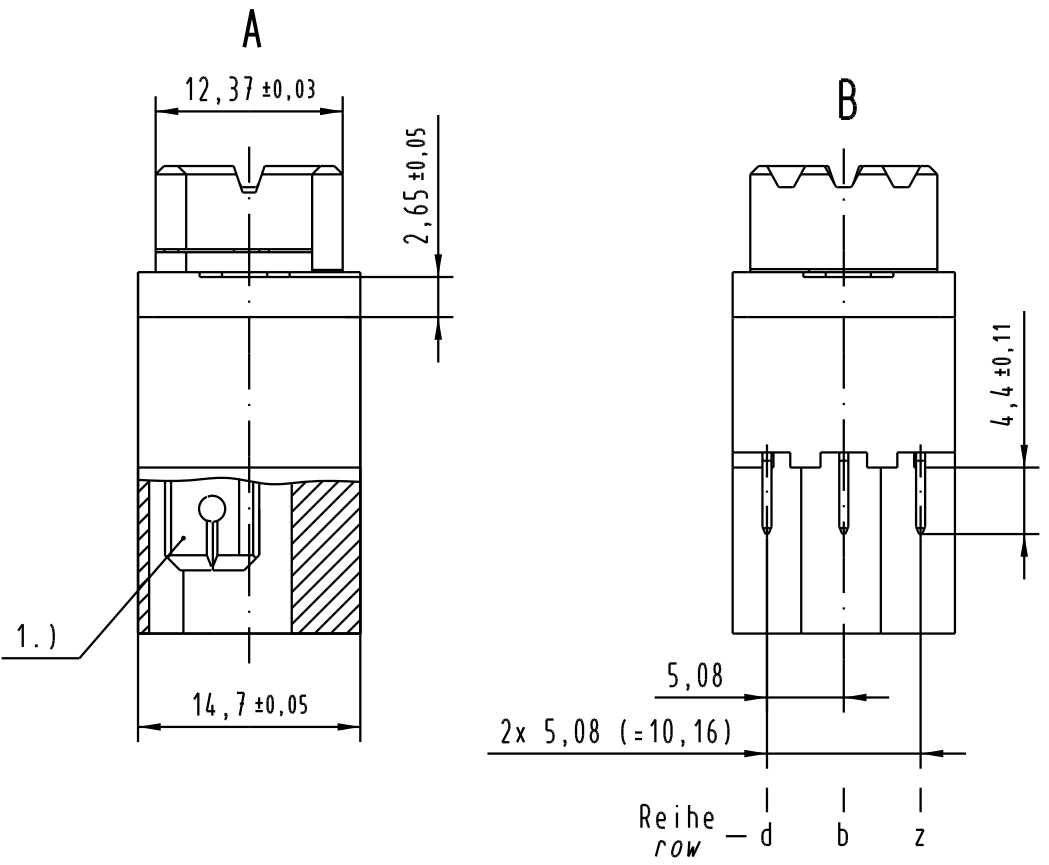
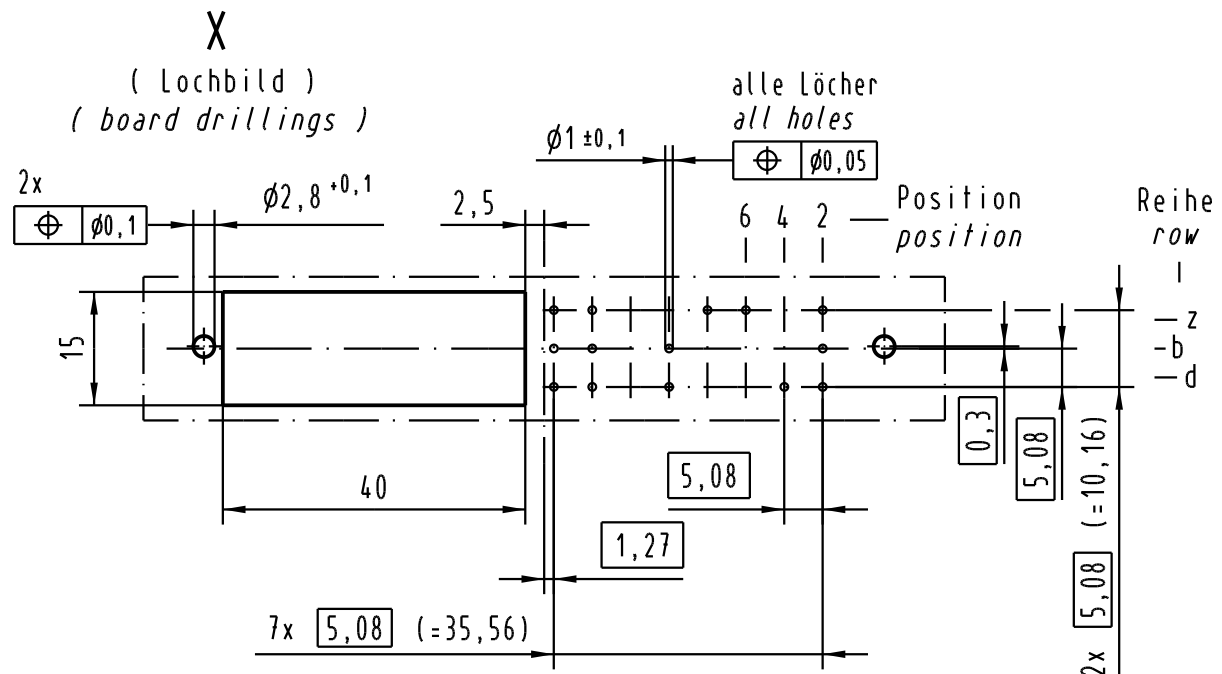
Tel: +86-755-8981 8866 Fax: +86-755-8427 6832

Email & Skype: info@chipsmall.com Web: www.chipsmall.com

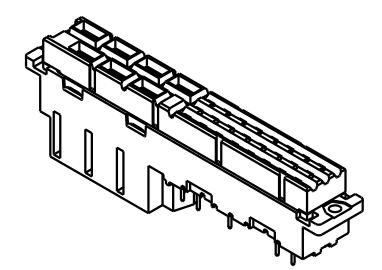
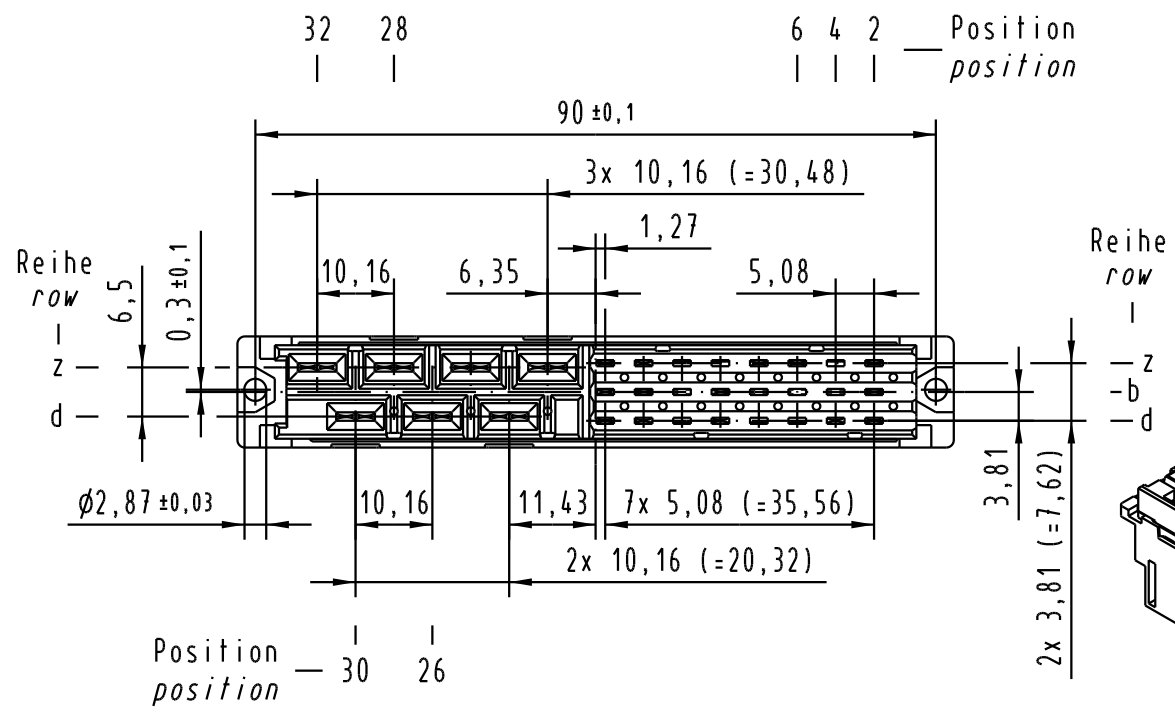
Address: A1208, Overseas Decoration Building, #122 Zhenhua RD., Futian, Shenzhen, China



Alle Rechte vorbehalten. All rights reserved



- 7 H Faston quer - Kontakte
7 H faston across - contacts
- ☒ = Kontaktposition belegt
= position with contacts
- = Kontaktposition nicht belegt
= position without contacts
- 14 F Einlöt - Kontakte
14 F solder - contacts
- = Kontaktposition belegt
= position with contacts
- = Kontaktposition nicht belegt
= position without contacts



1.) Faston 6,3x0,8 für Steckhülse
entsprechend DIN 46245 und DIN 46247

1.) for faston 6,3x0,8 female contact
acc. to DIN 46245 and DIN 46247

H-Kontaktfläche Ag
H-contact plating Ag

-	-
09 06 221 6822	2
Bestell-Nr. part-No.	Anforderungsstufe nach IEC performance level acc. to IEC

All Dimensions in mm Original Size DIN A 3	Techn. Character. ergänzend/complementary IEC 60603-2		Nicht tolerierte Maß/Free size tolerances ergänzend/complementary IEC 60603-2	
	Detail. 11.10.05 Hage.	Name kfoe	Maßstab/Scale 1:1 2:1	
Insp. 11.10.05	HARTING Electronics GmbH & Co. KG D-32339 ESPELKAMP		Bauform / type MH female connector F solder and H faston across 21 pol.	
Stand.	33141 Mod.	Dat.	Name	TB 09 06 221 x822 Sub.