



Chipsmall Limited consists of a professional team with an average of over 10 year of expertise in the distribution of electronic components. Based in Hongkong, we have already established firm and mutual-benefit business relationships with customers from,Europe,America and south Asia,supplying obsolete and hard-to-find components to meet their specific needs.

With the principle of “Quality Parts,Customers Priority,Honest Operation,and Considerate Service”,our business mainly focus on the distribution of electronic components. Line cards we deal with include Microchip,ALPS,ROHM,Xilinx,Pulse,ON,Everlight and Freescale. Main products comprise IC,Modules,Potentiometer,IC Socket,Relay,Connector.Our parts cover such applications as commercial,industrial, and automotives areas.

We are looking forward to setting up business relationship with you and hope to provide you with the best service and solution. Let us make a better world for our industry!



Contact us

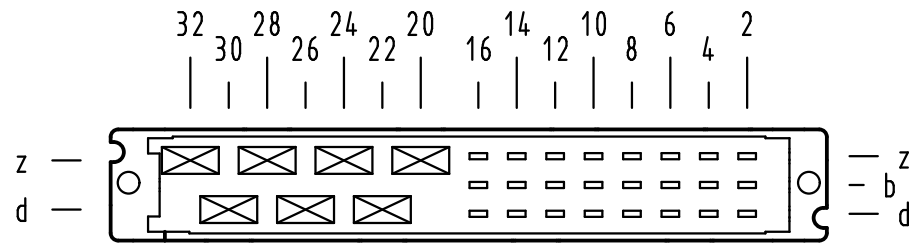
Tel: +86-755-8981 8866 Fax: +86-755-8427 6832

Email & Skype: info@chipsmall.com Web: www.chipsmall.com

Address: A1208, Overseas Decoration Building, #122 Zhenhua RD., Futian, Shenzhen, China



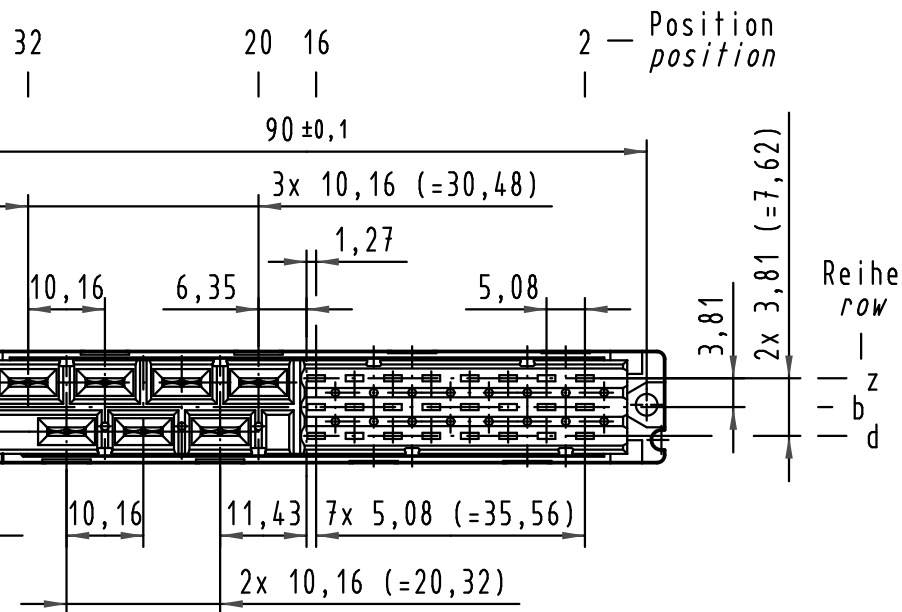
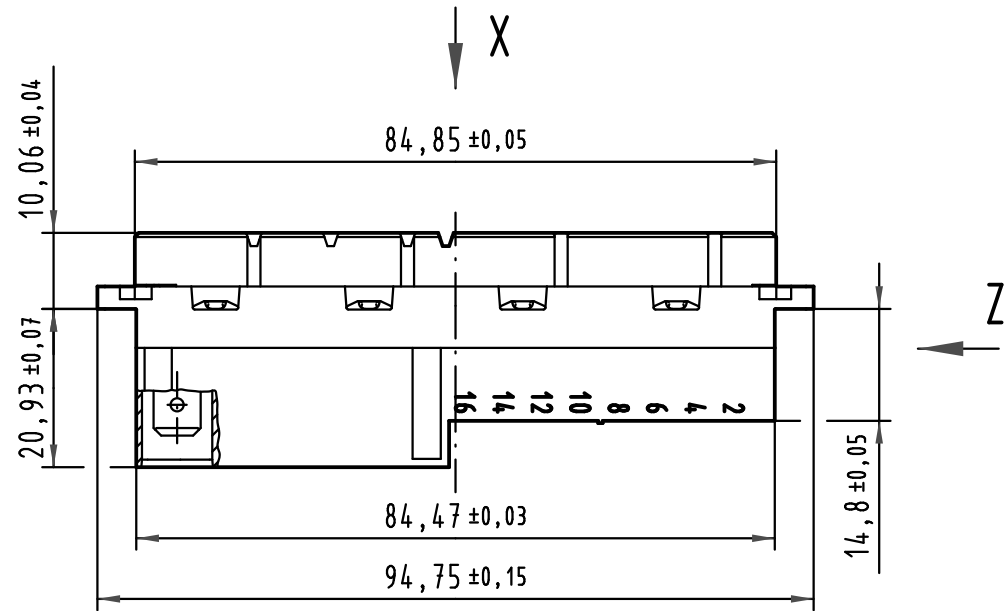
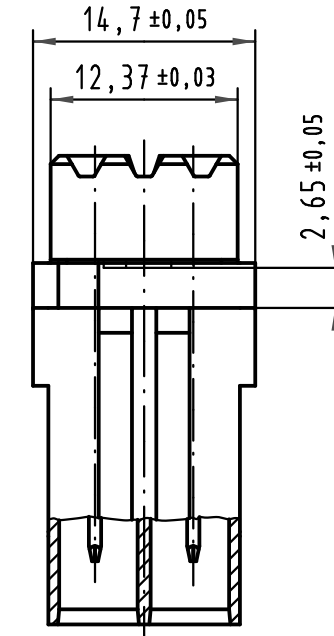
X Kontaktnordnung/ contact arrangement



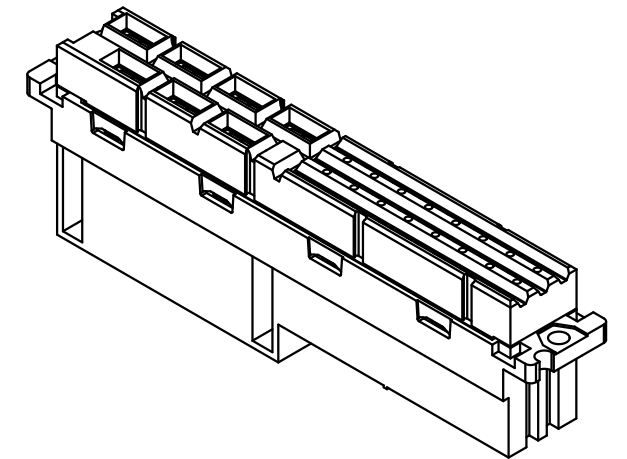
7 Faston - Kontakte
7 faston - contacts

- ☒ = Kontaktposition belegt
= position with contacts
- ☐ = Kontaktposition nicht belegt
= position without contacts

Z
2:1



Kontaktfläche Ag
contact surface Ag
Faston 6,3x0,8 passend für Steckhülse
faston 6,3x0,8 suitable for female contact



All Dimensions in mm Original Size DIN A 3	Techn. Character. complementary IEC 60603-2		Nicht tolerierte Maß/Free size tolerances complementary IEC 60603-2		
	Detail. Insp. Stand.	Dat. 30.06.05 Leh. 30.06.05 kfoe	Name 	Maßstab/Scale 1:1 2:1	Bauform/type MH female connector F crimp and H faston along
32638 Mod.	Dat.	Name	HARTING Electronics GmbH & Co. KG D-32339 ESPELKAMP 	TB 09 06 231 2881 Sub.09 06 231 2881.00 Mod.12981 v.03.04.92	Blatt/page