



Chipsmall Limited consists of a professional team with an average of over 10 year of expertise in the distribution of electronic components. Based in Hongkong, we have already established firm and mutual-benefit business relationships with customers from,Europe,America and south Asia,supplying obsolete and hard-to-find components to meet their specific needs.

With the principle of “Quality Parts,Customers Priority,Honest Operation,and Considerate Service”,our business mainly focus on the distribution of electronic components. Line cards we deal with include Microchip,ALPS,ROHM,Xilinx,Pulse,ON,Everlight and Freescale. Main products comprise IC,Modules,Potentiometer,IC Socket,Relay,Connector.Our parts cover such applications as commercial,industrial, and automotives areas.

We are looking forward to setting up business relationship with you and hope to provide you with the best service and solution. Let us make a better world for our industry!



## Contact us

Tel: +86-755-8981 8866 Fax: +86-755-8427 6832

Email & Skype: info@chipsmall.com Web: www.chipsmall.com

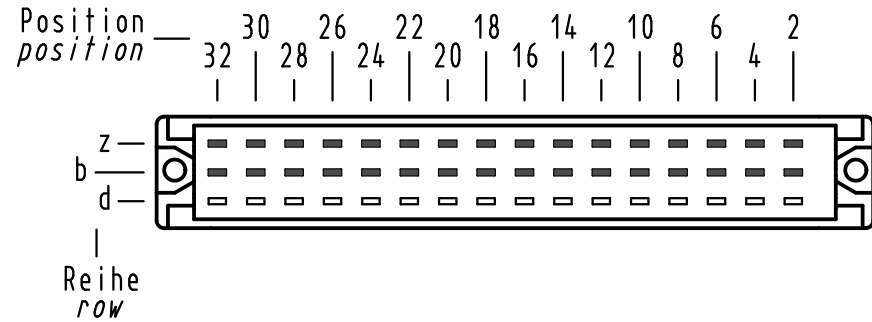
Address: A1208, Overseas Decoration Building, #122 Zhenhua RD., Futian, Shenzhen, China



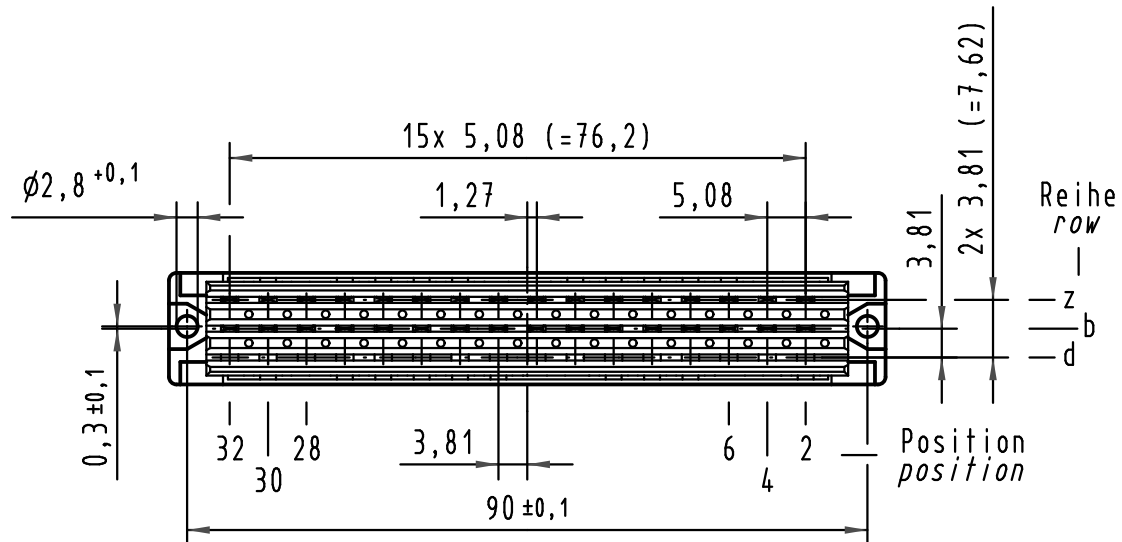
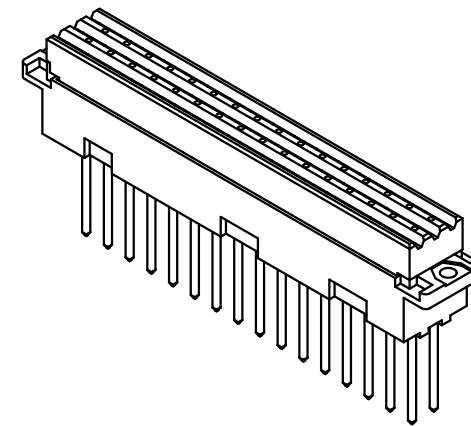
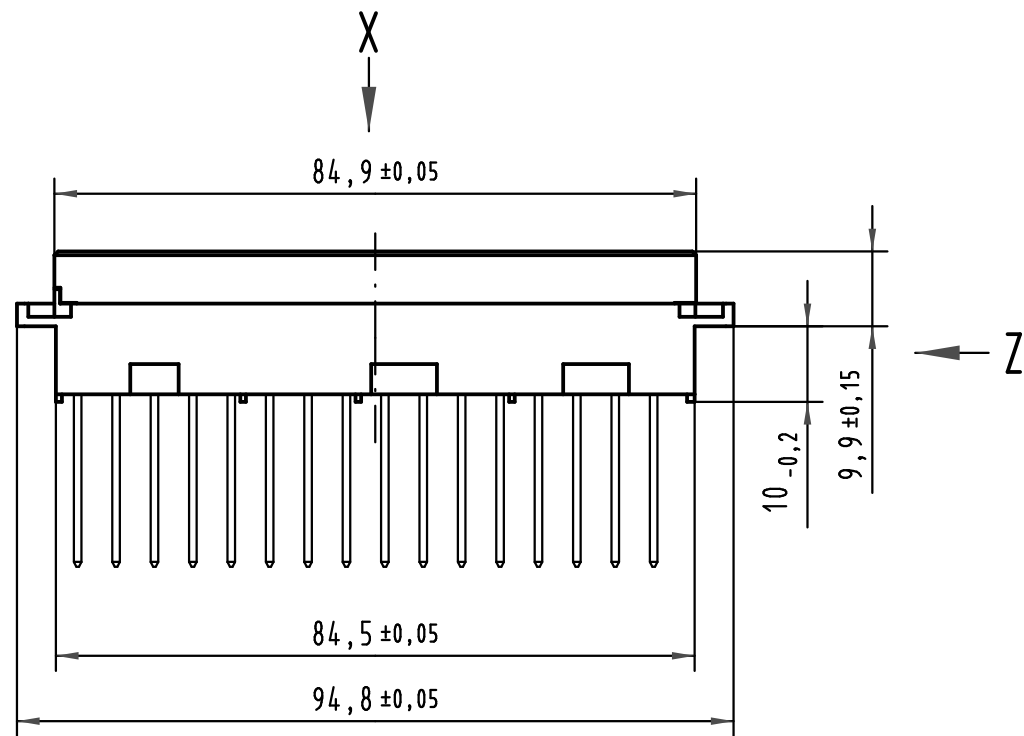
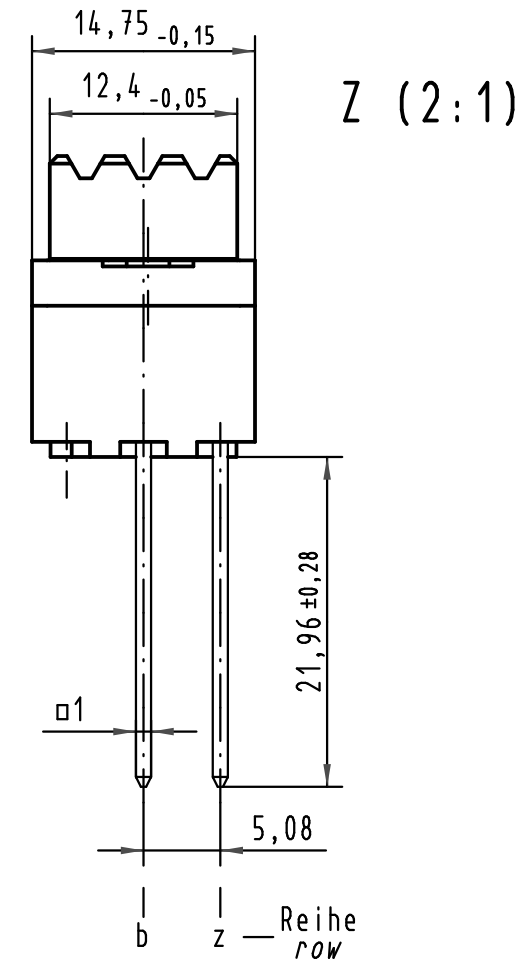
Alle Rechte vorbehalten/ All rights reserved

**X**  
Kontaktanordnung  
contact arrangement

32 WW - Kontakte  
32 WW - contacts



- = Kontaktposition belegt  
= position with contact
- = Kontaktposition nicht belegt  
= position without contact



① weitere Informationen siehe: DS 09 06 210 0001  
further information see: DS 09 06 210 0001

09 06 232 7821	3
09 06 232 6821	2
09 06 232 2821	1
Bestell-Nr. part-no.	Anforderungsstufe performance level ①

All Dimensions in mm Original Size DIN A 3			Techn. Character.			Nicht tolerierte Maßel/Free size tolerances IEC 60603-2	
Mod.	Dat.	Name	Dat.	Name	Maßstab/Scale	Bauform / type F	
36023	18.03.10	Hage.	Detail.	13.07.05	Re	Federleiste WW 22,0 32 pol.	
32917	09.09.05	Leh.	Insp.	13.07.05	kfoe	female connector WW 22,0 32 pol.	
32873			Stand.			TB 09 06 232 x821	
			HARTING Electronics GmbH & Co. KG D-32339 ESPELKAMP			Blatt/ page	
			HARTING			Sub.	