



Chipsmall Limited consists of a professional team with an average of over 10 year of expertise in the distribution of electronic components. Based in Hongkong, we have already established firm and mutual-benefit business relationships with customers from,Europe,America and south Asia,supplying obsolete and hard-to-find components to meet their specific needs.

With the principle of "Quality Parts,Customers Priority,Honest Operation,and Considerate Service",our business mainly focus on the distribution of electronic components. Line cards we deal with include Microchip,ALPS,ROHM,Xilinx,Pulse,ON,Everlight and Freescale. Main products comprise IC,Modules,Potentiometer,IC Socket,Relay,Connector.Our parts cover such applications as commercial,industrial, and automotives areas.

We are looking forward to setting up business relationship with you and hope to provide you with the best service and solution. Let us make a better world for our industry!



Contact us

Tel: +86-755-8981 8866 Fax: +86-755-8427 6832

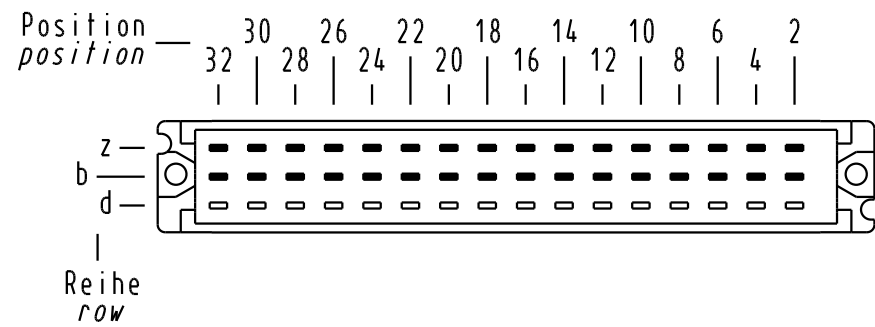
Email & Skype: info@chipsmall.com Web: www.chipsmall.com

Address: A1208, Overseas Decoration Building, #122 Zhenhua RD., Futian, Shenzhen, China



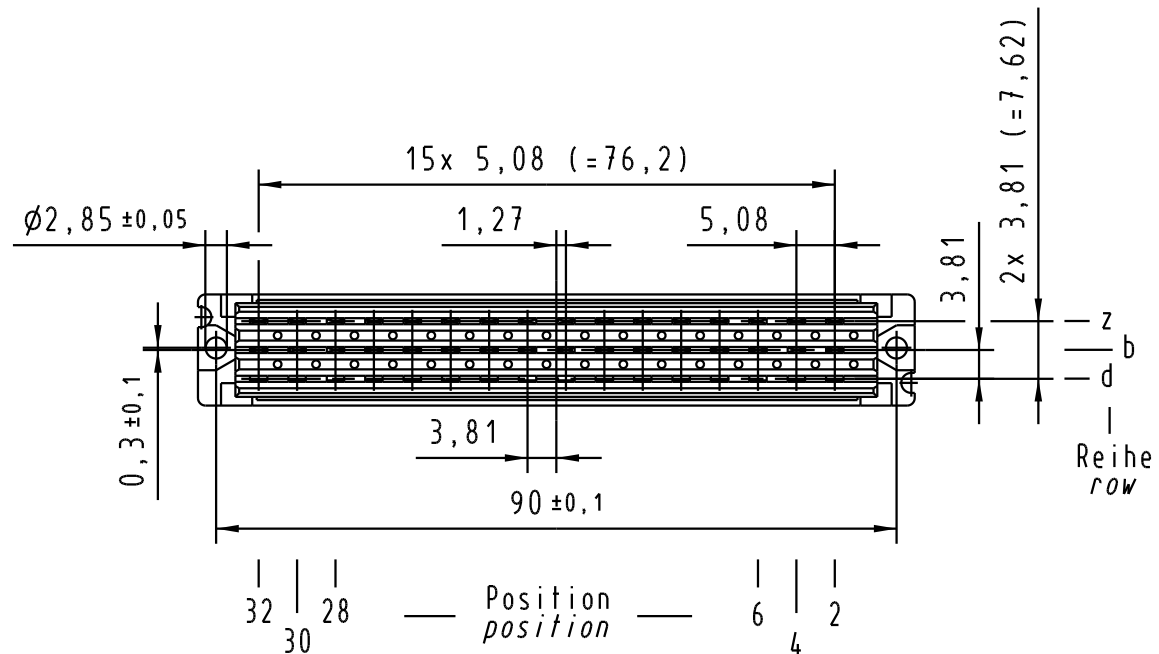
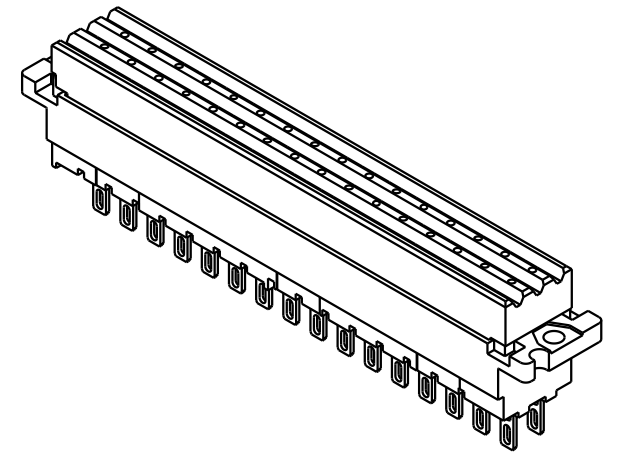
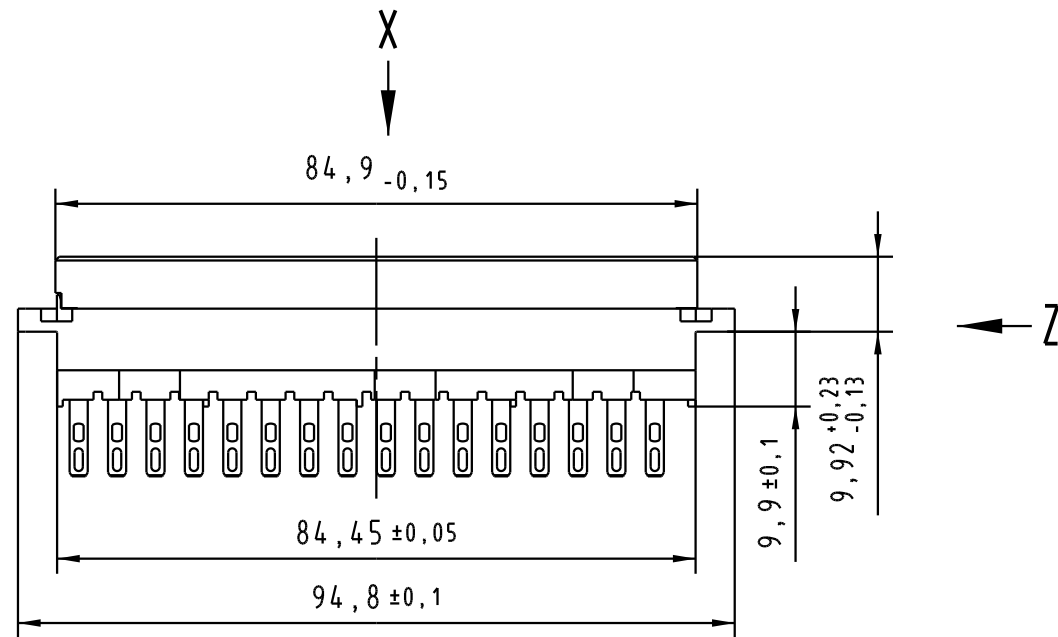
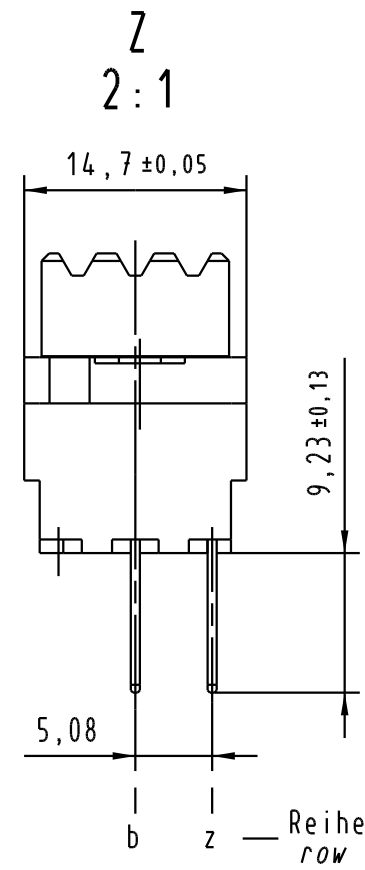
Alle Rechte vorbehalten. All rights reserved

X
Kontaktanordnung
contact arrangement



32 Lötösen - Kontakte
32 solder eye - contacts

- = Kontaktposition belegt
= positions with contacts
- = Kontaktposition nicht belegt
= positions without contacts



09 06 232 7853	3	Au über/over Ni
09 06 232 6853	2	Au über/over Ni
09 06 232 2853	1	Au über/over Ni
Bestell-Nr. part-no.	Anforderungsstufe nach IEC performance level acc. to IEC	Kontaktoberfläche contact plating

All Dimensions in mm Original Size DIN A 3	Techn. Character.		Nicht tolerierte Maß Free size tolerances	
	IEC 60603-2		IEC 60603-2	
	Dat.	Name	Maßstab/Scale	
	Detail.	30.08.05 Re	1:1	
	Insp.	30.08.05 kfoe	2:1	
	Stand.			
32645	HARTING Electronics GmbH & Co. KG		TB 09 06 232 x853	
Mod.	Dat.	Name	Sub.	Mod. v.
		D-32339 ESPELKAMP		