



Chipsmall Limited consists of a professional team with an average of over 10 year of expertise in the distribution of electronic components. Based in Hongkong, we have already established firm and mutual-benefit business relationships with customers from,Europe,America and south Asia,supplying obsolete and hard-to-find components to meet their specific needs.

With the principle of “Quality Parts,Customers Priority,Honest Operation,and Considerate Service”,our business mainly focus on the distribution of electronic components. Line cards we deal with include Microchip,ALPS,ROHM,Xilinx,Pulse,ON,Everlight and Freescale. Main products comprise IC,Modules,Potentiometer,IC Socket,Relay,Connector.Our parts cover such applications as commercial,industrial, and automotives areas.

We are looking forward to setting up business relationship with you and hope to provide you with the best service and solution. Let us make a better world for our industry!



Contact us

Tel: +86-755-8981 8866 Fax: +86-755-8427 6832

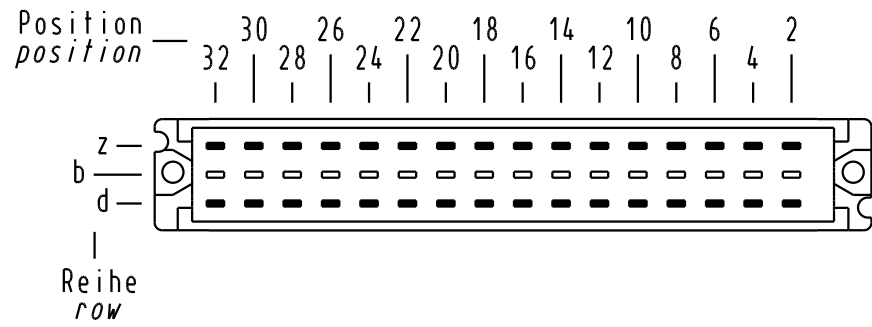
Email & Skype: info@chipsmall.com Web: www.chipsmall.com

Address: A1208, Overseas Decoration Building, #122 Zhenhua RD., Futian, Shenzhen, China



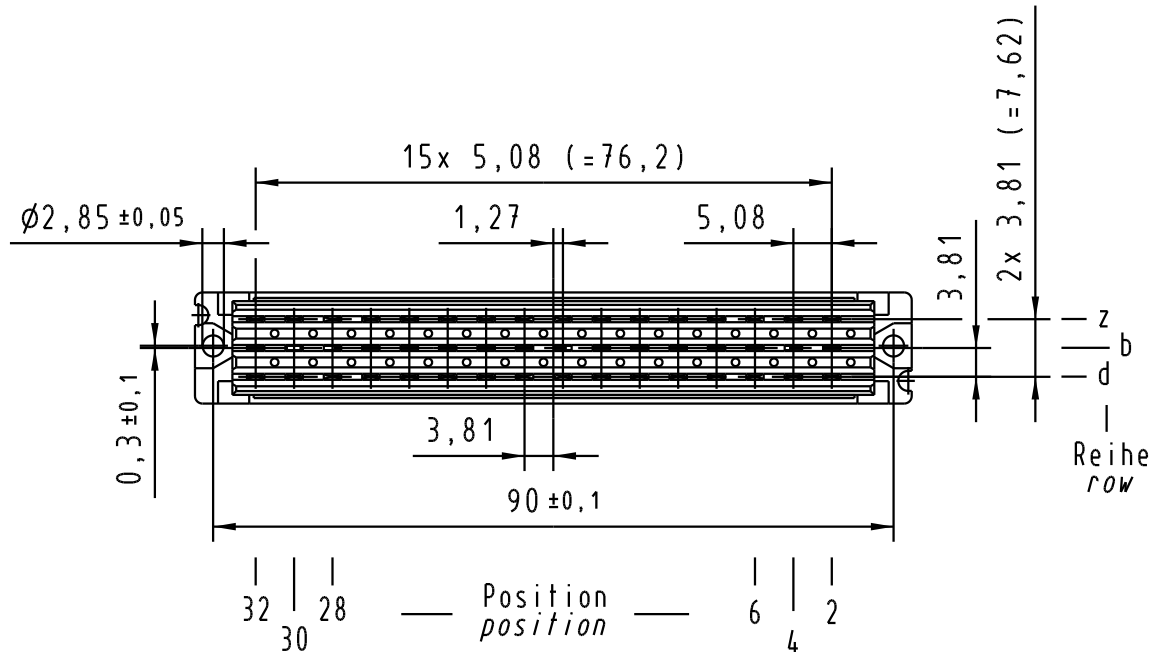
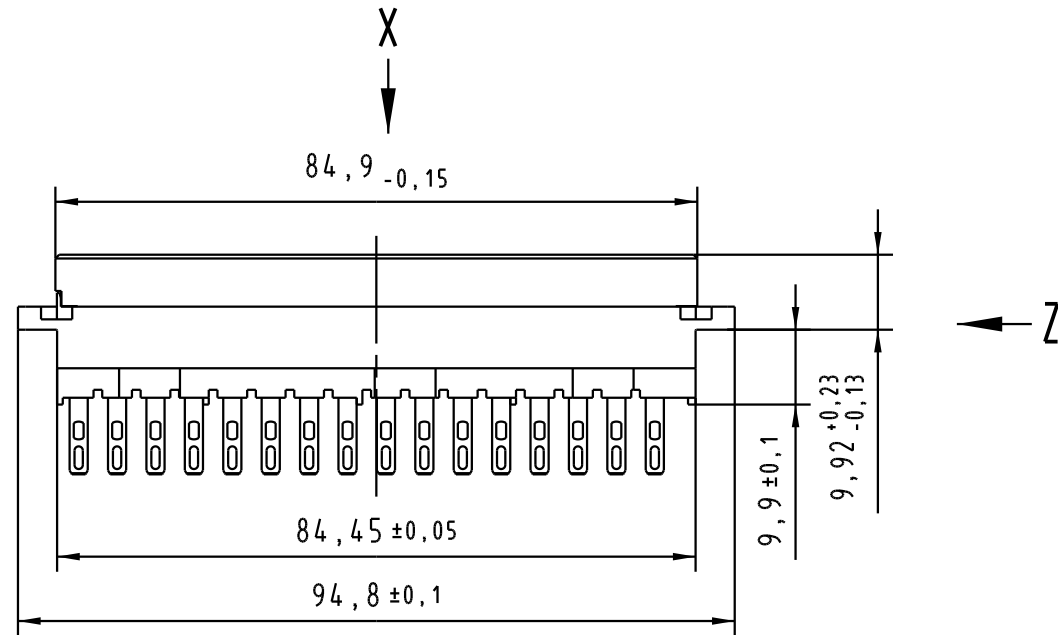
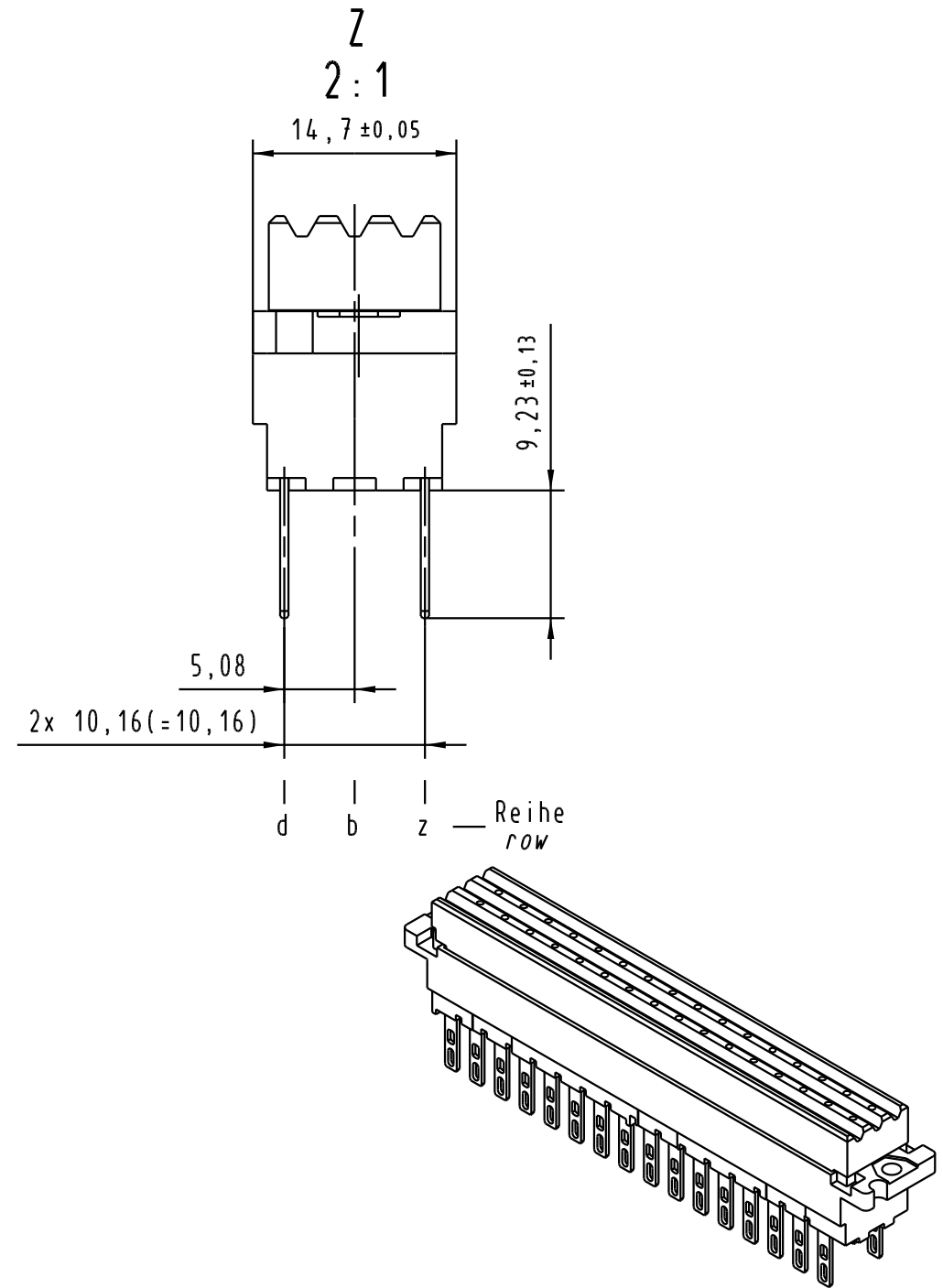
Alle Rechte vorbehalten. All rights reserved

X
Kontaktanordnung
contact arrangement



32 Lötösen - Kontakte
32 solder eye - contacts

- = Kontaktposition belegt
= positions with contacts
- = Kontaktposition nicht belegt
= positions without contacts



09 06 232 7863	3	Au über/over Ni
09 06 232 6863	2	Au über/over Ni
-	-	-
Bestell-Nr. part-no.	Anforderungsstufe nach IEC performance level acc. to IEC	Kontaktoberfläche contact plating

All Dimensions in mm Original Size DIN A 3		Techn. Character. IEC 60603-2		Nicht tolerierte Maß Free size tolerances IEC 60603-2	
		Dat. Name 30.08.05 Re		Maßstab/Scale 1:1 2:1	
		Insp. 30.08.05 kfoe			
		Stand.			
32645 Mod.		HARTING Electronics GmbH & Co. KG D-32339 ESPELKAMP		HARTING	
		Dat. Name		TB 09 06 232 x863 Blatt/page	
				Sub. Mod. v.	