



Chipsmall Limited consists of a professional team with an average of over 10 year of expertise in the distribution of electronic components. Based in Hongkong, we have already established firm and mutual-benefit business relationships with customers from,Europe,America and south Asia,supplying obsolete and hard-to-find components to meet their specific needs.

With the principle of “Quality Parts,Customers Priority,Honest Operation,and Considerate Service”,our business mainly focus on the distribution of electronic components. Line cards we deal with include Microchip,ALPS,ROHM,Xilinx,Pulse,ON,Everlight and Freescale. Main products comprise IC,Modules,Potentiometer,IC Socket,Relay,Connector.Our parts cover such applications as commercial,industrial, and automotives areas.

We are looking forward to setting up business relationship with you and hope to provide you with the best service and solution. Let us make a better world for our industry!



## Contact us

Tel: +86-755-8981 8866 Fax: +86-755-8427 6832

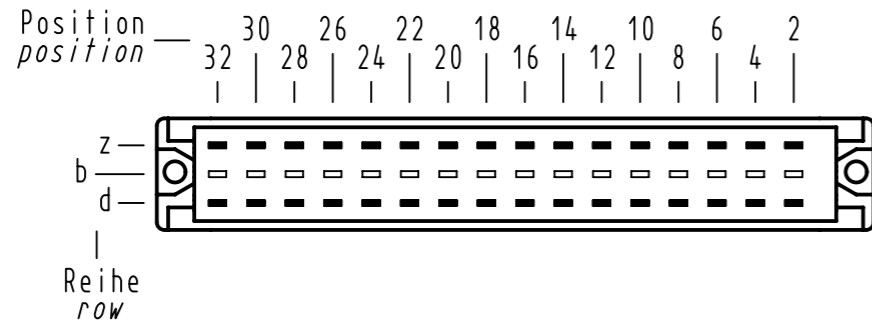
Email & Skype: info@chipsmall.com Web: www.chipsmall.com

Address: A1208, Overseas Decoration Building, #122 Zhenhua RD., Futian, Shenzhen, China



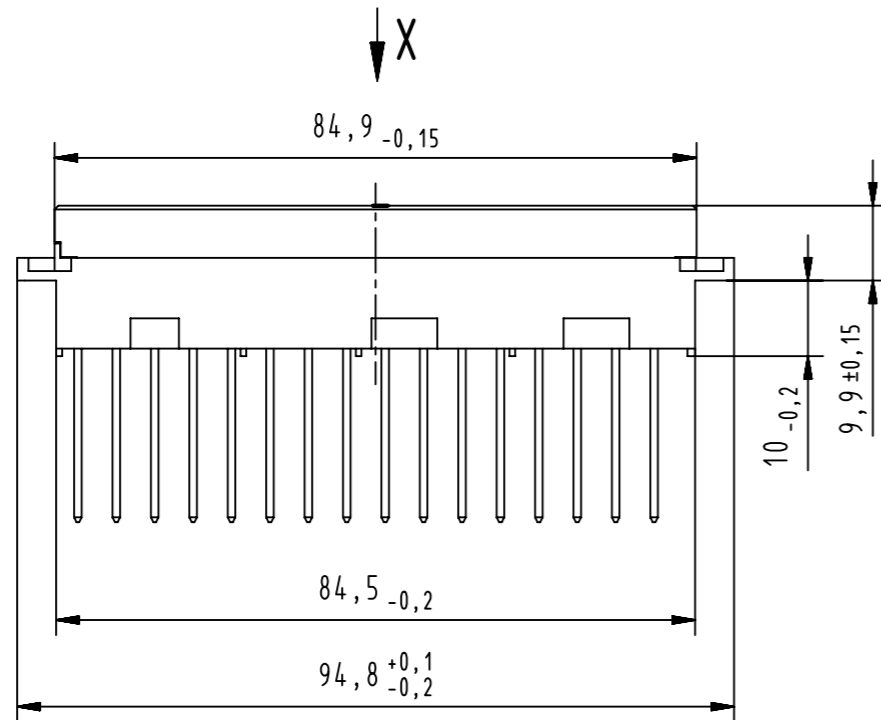
X  
Kontaktanordnung  
contact arrangement

32 WW - Kontakte  
32 ww - contacts



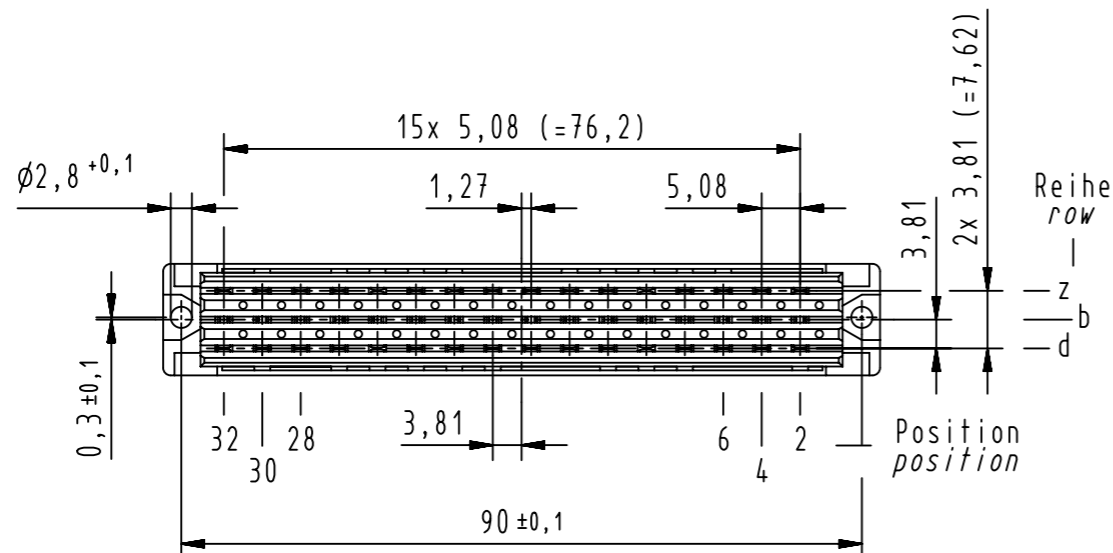
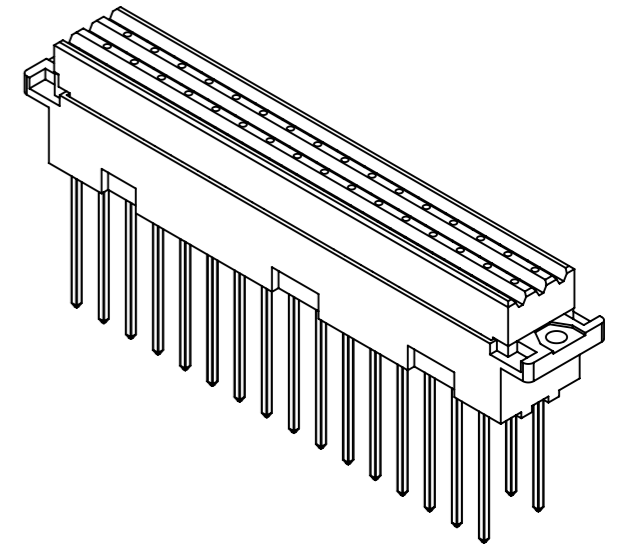
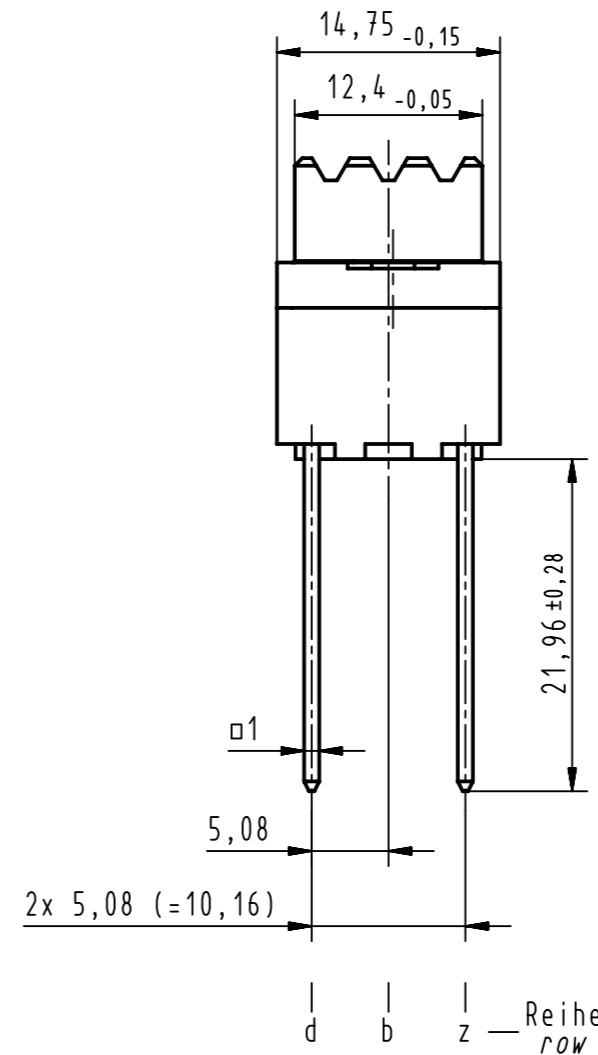
■ = Kontaktposition belegt  
= position with contact

□ = Kontaktposition nicht belegt  
= position without contact



Z

Z (2:1)



① weitere Informationen siehe: DS 09 06 210 00 01  
further information see: DS 09 06 210 00 01

09 06 232 7831	3
09 06 232 6831	2
09 06 232 2831	1
Bestell-Nr. part-no.	Anforderungsstufe performance level ①

	All Dimensions in mm Original Size DIN A3	Scale 1:1	Free size tol. IEC 60603-2	Ref. Sub. TB 0906232X831 Mod. 36023 v. 19.03.10		
	All rights reserved Department EC PD - DE	Created by HAGEMEYERE	Inspected by LEHNERT	Standardisation HOFFMANN	Date 2013-01-30	State Final Release
HARTING Electronics GmbH D-32339 Espelkamp		Title DIN Power type F female ww 22 straight			Doc-Key / ECH-Nr. 100184594/UGD/014/B 50000058142	
		Type TB	Number 0906232X831		Rev. B	Page 1/1