



Chipsmall Limited consists of a professional team with an average of over 10 year of expertise in the distribution of electronic components. Based in Hongkong, we have already established firm and mutual-benefit business relationships with customers from,Europe,America and south Asia,supplying obsolete and hard-to-find components to meet their specific needs.

With the principle of "Quality Parts,Customers Priority,Honest Operation,and Considerate Service",our business mainly focus on the distribution of electronic components. Line cards we deal with include Microchip,ALPS,ROHM,Xilinx,Pulse,ON,Everlight and Freescale. Main products comprise IC,Modules,Potentiometer,IC Socket,Relay,Connector.Our parts cover such applications as commercial,industrial, and automotives areas.

We are looking forward to setting up business relationship with you and hope to provide you with the best service and solution. Let us make a better world for our industry!



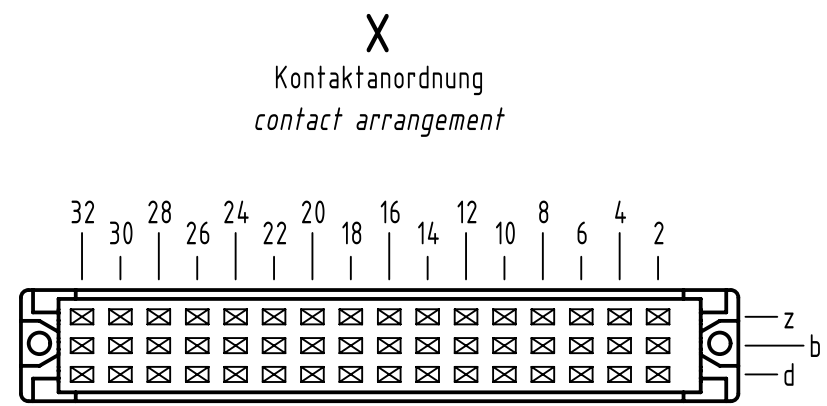
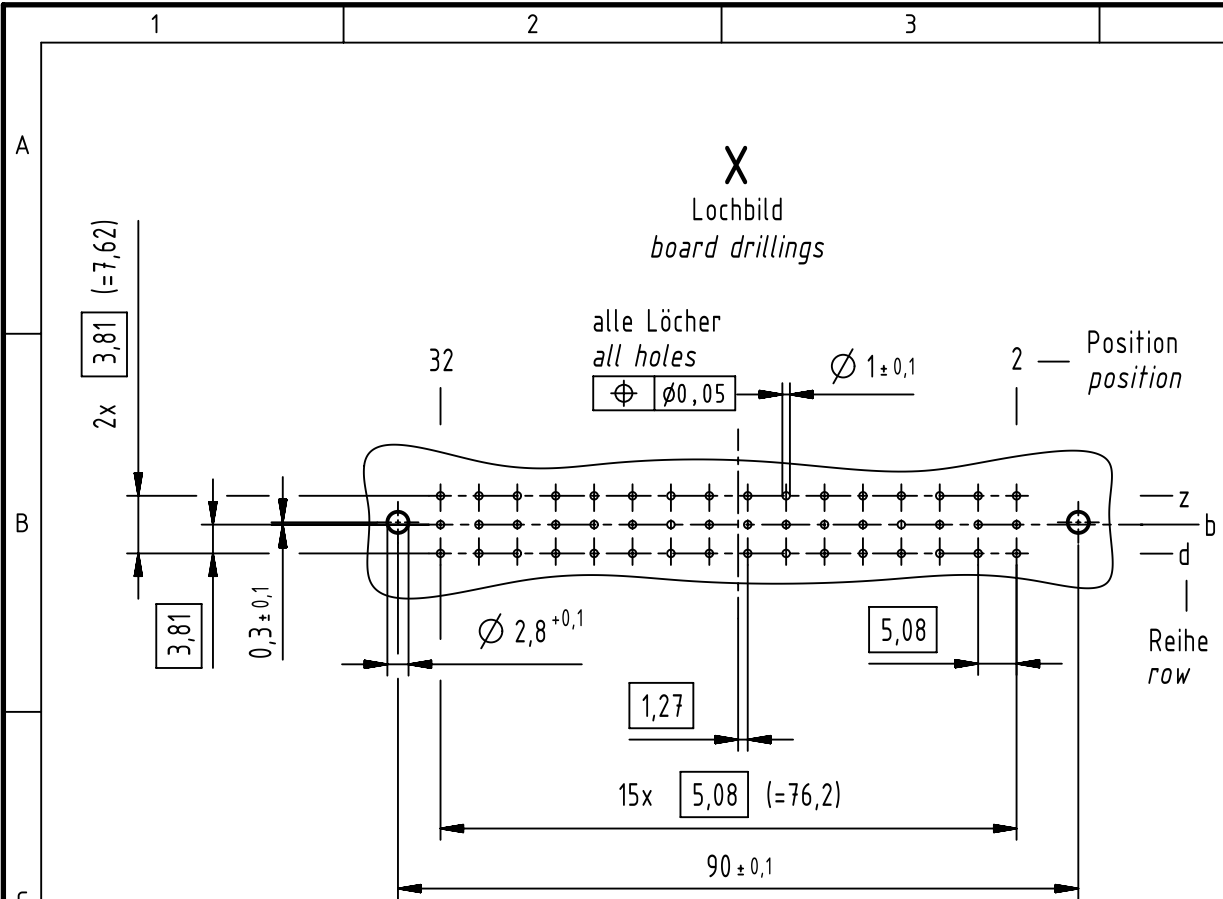
Contact us

Tel: +86-755-8981 8866 Fax: +86-755-8427 6832

Email & Skype: info@chipsmall.com Web: www.chipsmall.com

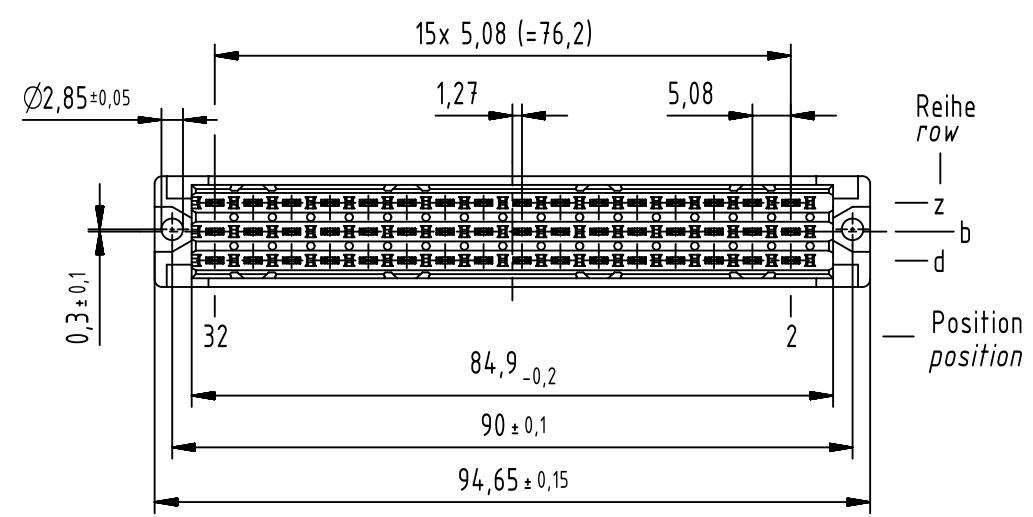
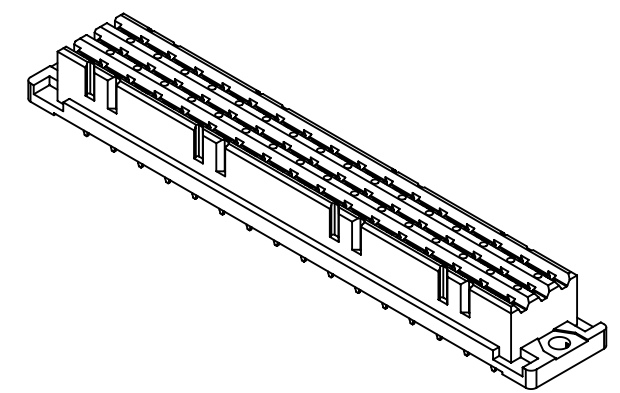
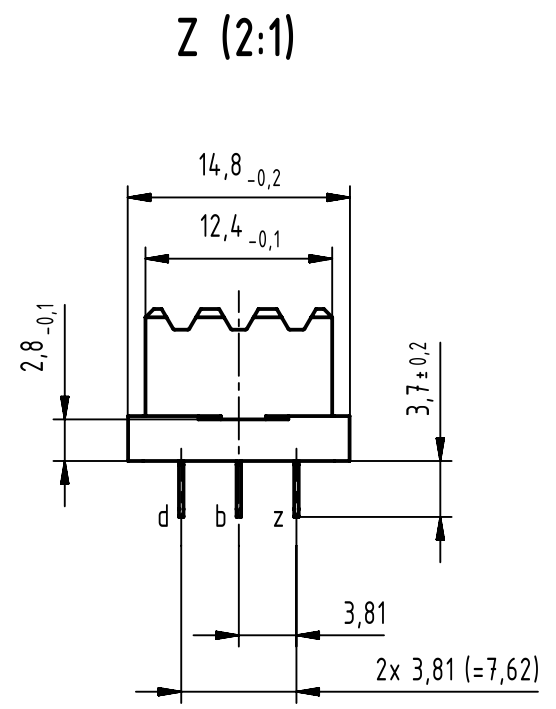
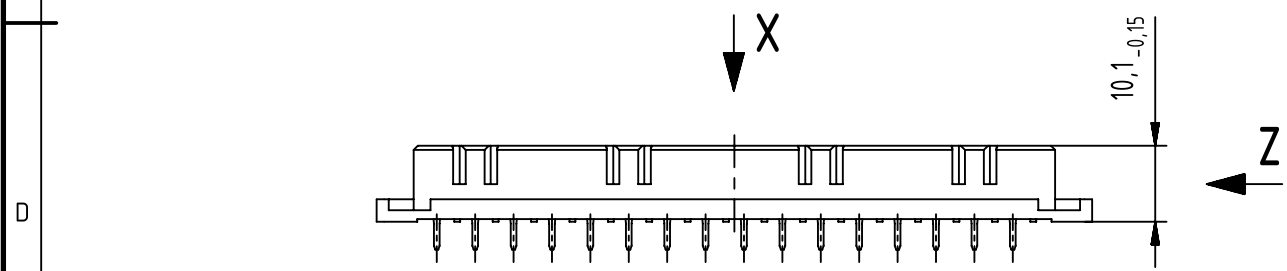
Address: A1208, Overseas Decoration Building, #122 Zhenhua RD., Futian, Shenzhen, China





48 Einlötl Kontakte
48 solder contacts

- ☒ = Kontaktposition belegt
= position with contact
- ☐ = Kontaktposition nicht belegt
= position without contact



1 weitere Informationen siehe: DS 09062100006
further information see: DS 09062100006

09 06 248 6833	2
09 06 248 2833	1
Bestell-Nr. part-no.	Anforderungsstufe performance level 1

	All Dimensions in mm Original Size DIN A3	Scale 1:1	Free size tol. complementary IEC 60603-2	Ref. Sub. TB 0906248x833 Mod. 36054 15.06.10		
	All rights reserved Department EC PD - DE	Created by LEHNERT	Inspected by LUECKEMEIERM	Standardisation HOFFMANN	Date 2013-05-13	State Final Release
HARTING Electronics GmbH D-32339 Espelkamp		Title DIN Power type F low-prof. fem. solder			Doc-Key / ECM-Nr. 100205271/UGD/033/A 50000061876	
		Type TB	Number 0906248X833		Rev. A	Page 1/1