



Chipsmall Limited consists of a professional team with an average of over 10 year of expertise in the distribution of electronic components. Based in Hongkong, we have already established firm and mutual-benefit business relationships with customers from,Europe,America and south Asia,supplying obsolete and hard-to-find components to meet their specific needs.

With the principle of “Quality Parts,Customers Priority,Honest Operation,and Considerate Service”,our business mainly focus on the distribution of electronic components. Line cards we deal with include Microchip,ALPS,ROHM,Xilinx,Pulse,ON,Everlight and Freescale. Main products comprise IC,Modules,Potentiometer,IC Socket,Relay,Connector.Our parts cover such applications as commercial,industrial, and automotives areas.

We are looking forward to setting up business relationship with you and hope to provide you with the best service and solution. Let us make a better world for our industry!



Contact us

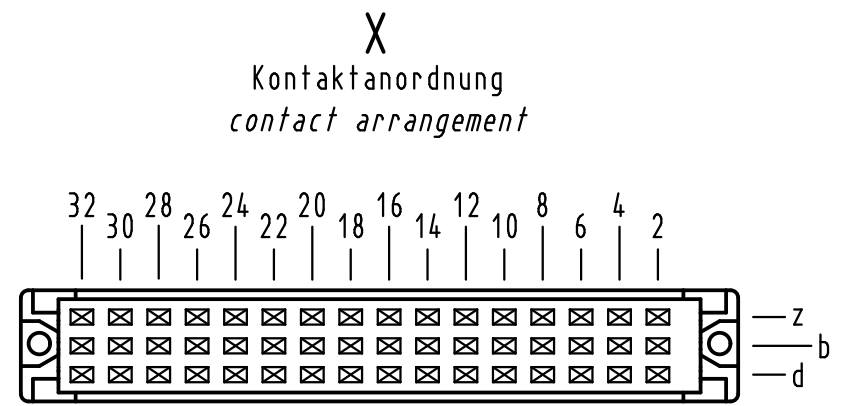
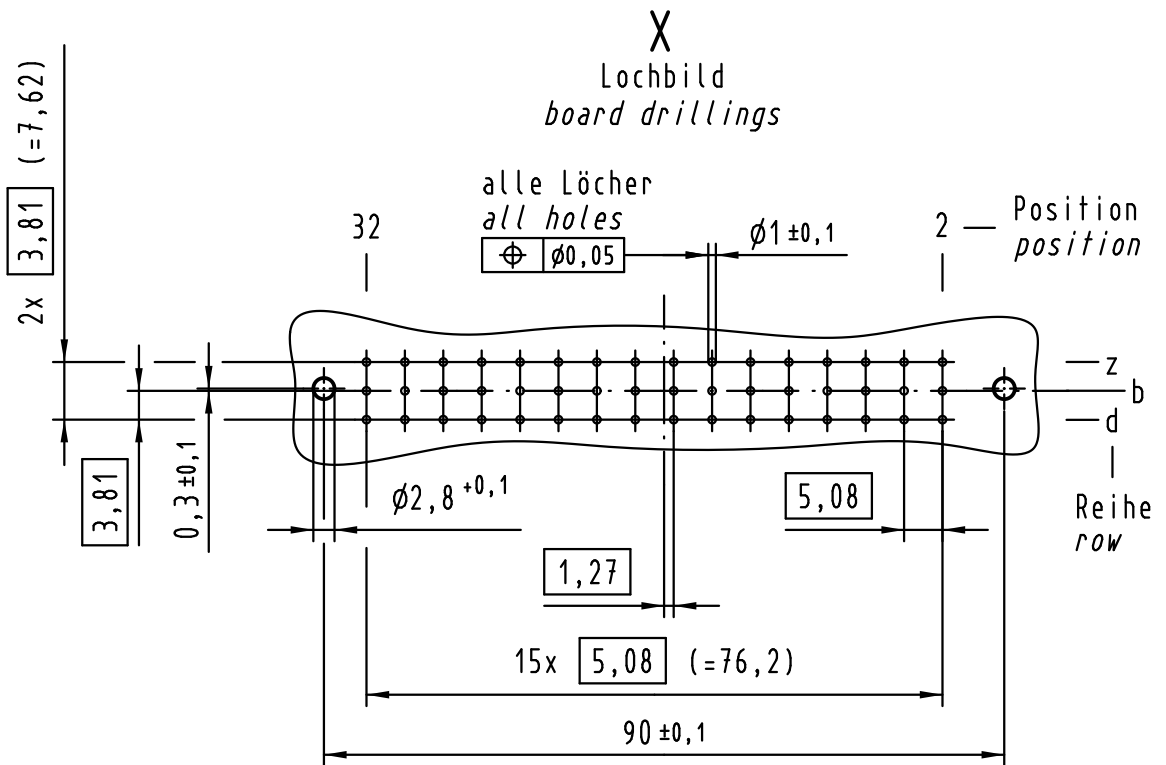
Tel: +86-755-8981 8866 Fax: +86-755-8427 6832

Email & Skype: info@chipsmall.com Web: www.chipsmall.com

Address: A1208, Overseas Decoration Building, #122 Zhenhua RD., Futian, Shenzhen, China



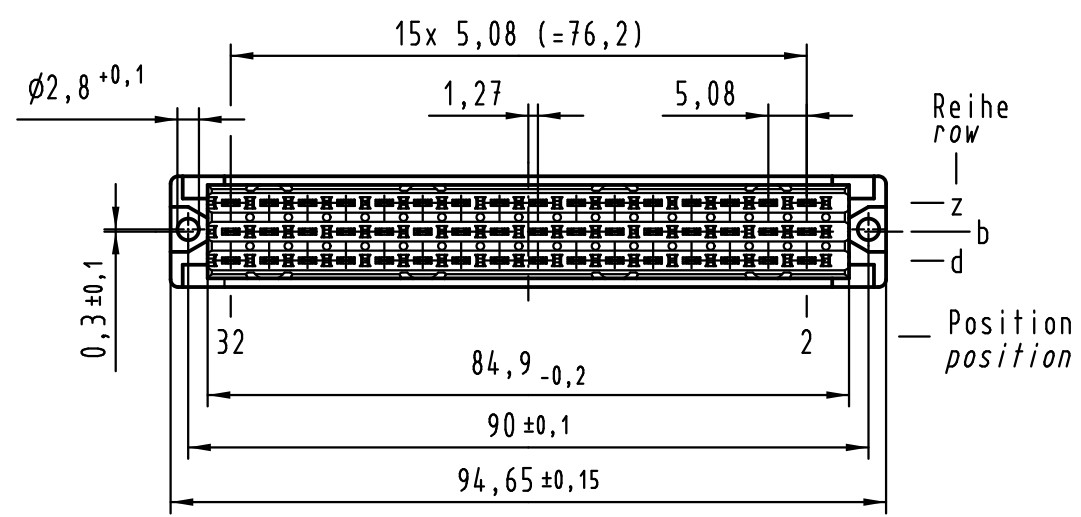
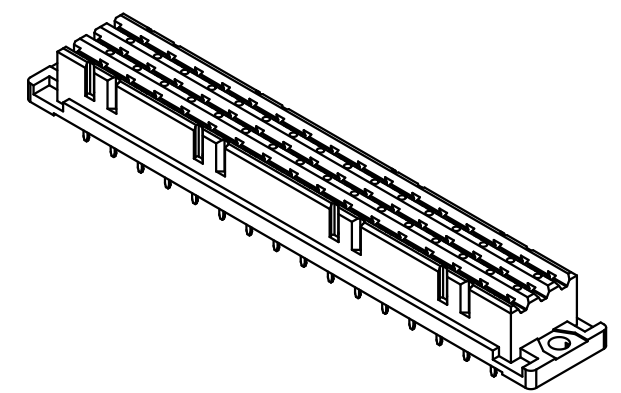
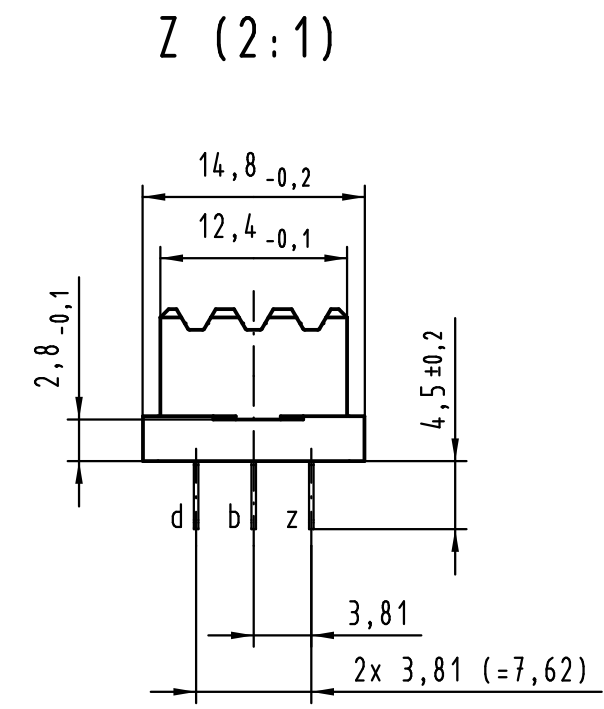
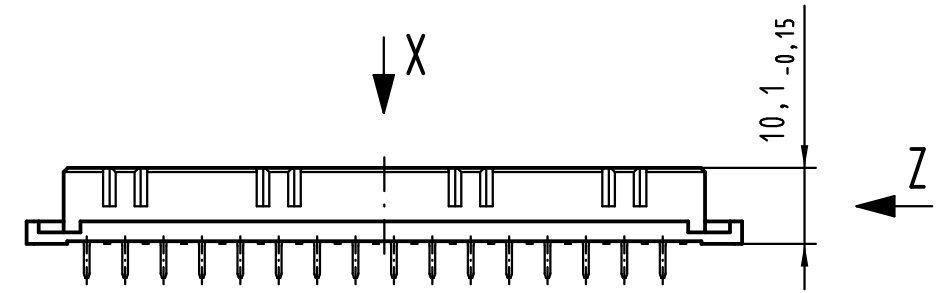
Alle Rechte vorbehalten/ All rights reserved



48 Einlöt Kontakte
48 solder contacts

☒ = Kontaktposition belegt
= position with contact

☐ = Kontaktposition nicht belegt
= position without contact



① weitere Informationen siehe: DS 09 06 210 00 06
further information see: DS 09 06 210 00 06

09 06 248 6834	2
09 06 248 2834	1
Bestell-Nr. part-no.	Anforderungsstufe performance level ①

All Dimensions in mm Original Size DIN A 3			Techn. Character.			Maßstab/Scale 1:1
Mod.	Dat.	Name	Dat.	Name		
36516	08.05.12	HL.	Detail.	20.03.03	Hage.	HARTING D-32339 ESPELKAMP
36386	26.03.12	HL.	Insp.	20.03.03	kfoe	
36054	15.06.10	Hage.	Stand.			
36029	19.04.10	Hage.				
30910						

Nicht tolerierte Maße / Free size tolerances
ergänzend / complementary IEC 60603-2

Bauform F low-profile Federleiste
Einlöt 4,5 , 48-polig
type F low-profile female connector
solder 4.5 , 48-pole

TB 09 06 248 x834

Blatt/ page