



Chipsmall Limited consists of a professional team with an average of over 10 year of expertise in the distribution of electronic components. Based in Hongkong, we have already established firm and mutual-benefit business relationships with customers from,Europe,America and south Asia,supplying obsolete and hard-to-find components to meet their specific needs.

With the principle of "Quality Parts,Customers Priority,Honest Operation,and Considerate Service",our business mainly focus on the distribution of electronic components. Line cards we deal with include Microchip,ALPS,ROHM,Xilinx,Pulse,ON,Everlight and Freescale. Main products comprise IC,Modules,Potentiometer,IC Socket,Relay,Connector.Our parts cover such applications as commercial,industrial, and automotives areas.

We are looking forward to setting up business relationship with you and hope to provide you with the best service and solution. Let us make a better world for our industry!



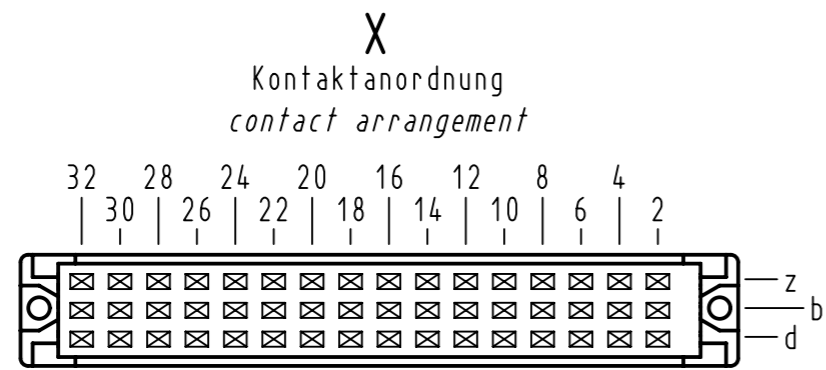
Contact us

Tel: +86-755-8981 8866 Fax: +86-755-8427 6832

Email & Skype: info@chipsmall.com Web: www.chipsmall.com

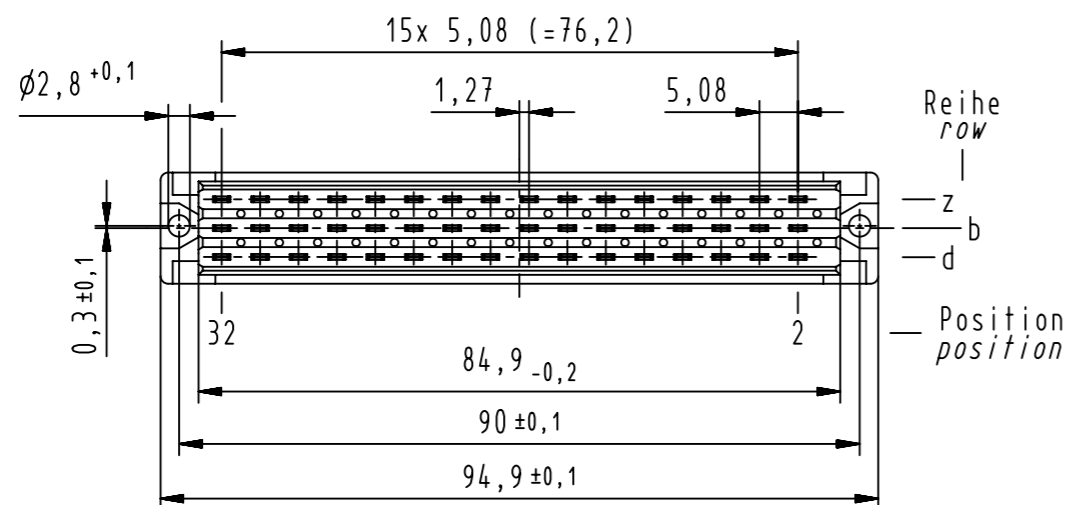
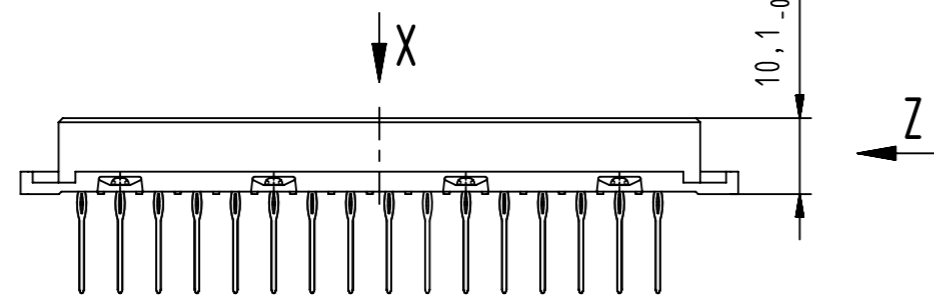
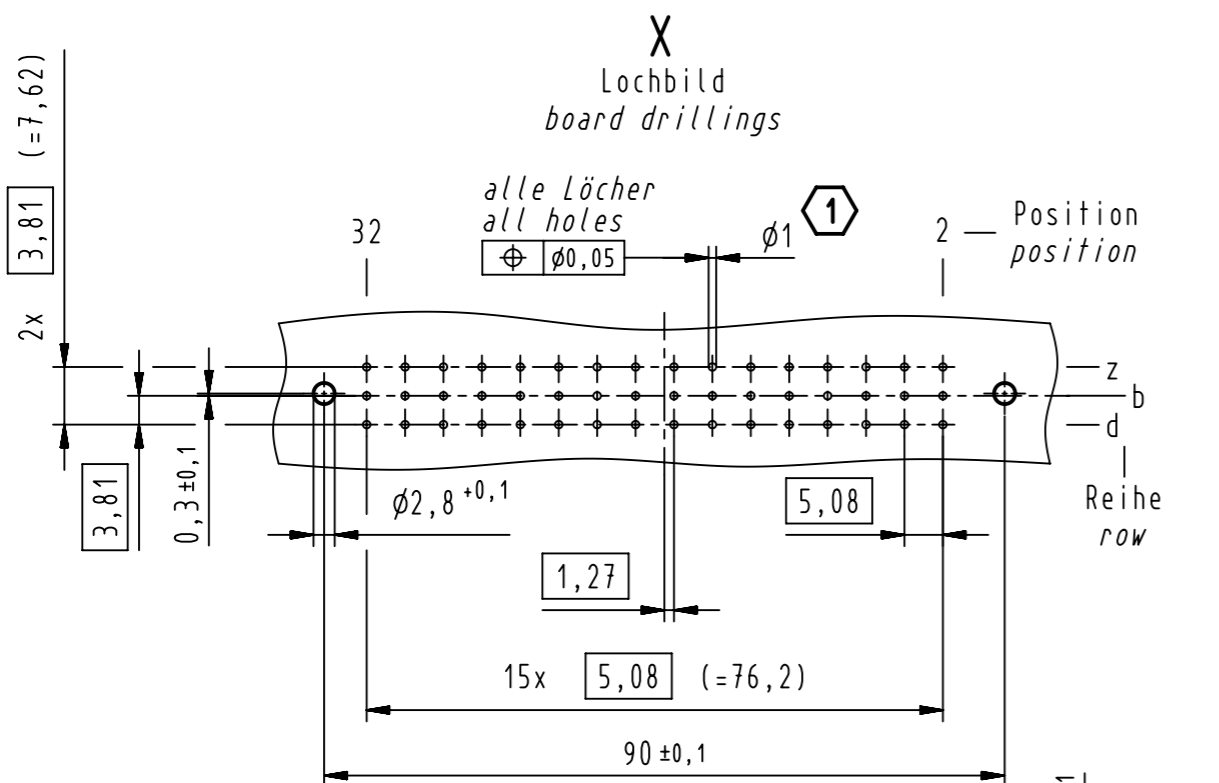
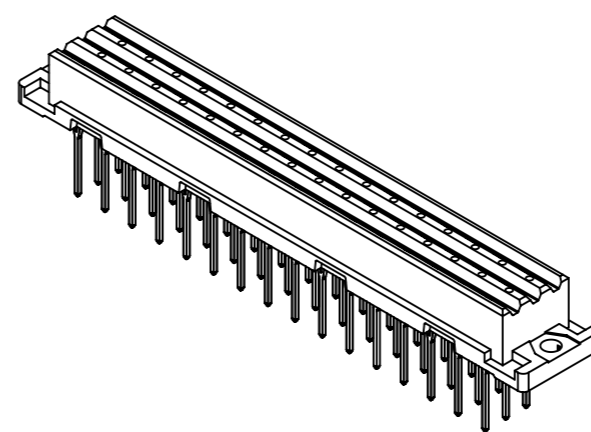
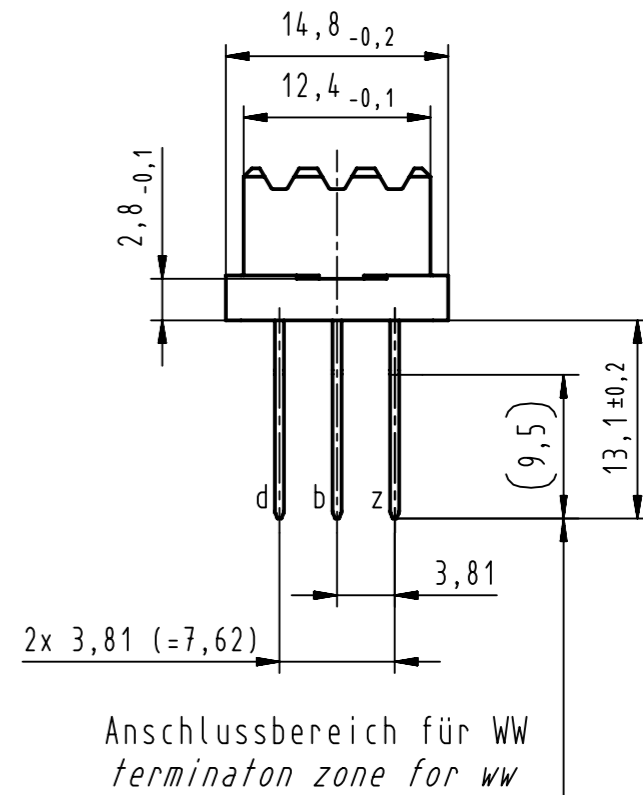
Address: A1208, Overseas Decoration Building, #122 Zhenhua RD., Futian, Shenzhen, China





48 Einpress Kontakte
48 press-in contacts

Z (2:1)



1 Empfohlener Lochaufbau und
weitere Informationen siehe: DS 09 06 210 00 02
recommended configuration of plated through holes
and further information see: DS 09 06 210 00 02

09 06 248 7837	3
09 06 248 6837	2
09 06 248 2837	1
Bestell-Nr. part-no.	Anforderungsstufe performance level 1

	All Dimensions in mm Original Size DIN A3	Scale 1:1	Free size tol. complementary IEC 60603-2	Ref. Sub. TB 0906248x837 Mod. 36054 15.06.10	
	All rights reserved Department EC PD - DE	Created by HAGEMEYERE	Inspected by LEHNERT	Standardisation HOFFMANN	Date 2013-01-15
HARTING Electronics GmbH D-32339 Espelkamp		Title DIN Power type F low-prof. fem. press-in			Doc-Key / ECH-Nr. 100102874/UGD/017/B 50000057951
		Type TB	Number 0906248X837		Rev. B Page 1/1