



Chipsmall Limited consists of a professional team with an average of over 10 year of expertise in the distribution of electronic components. Based in Hongkong, we have already established firm and mutual-benefit business relationships with customers from,Europe,America and south Asia,supplying obsolete and hard-to-find components to meet their specific needs.

With the principle of "Quality Parts,Customers Priority,Honest Operation,and Considerate Service",our business mainly focus on the distribution of electronic components. Line cards we deal with include Microchip,ALPS,ROHM,Xilinx,Pulse,ON,Everlight and Freescale. Main products comprise IC,Modules,Potentiometer,IC Socket,Relay,Connector.Our parts cover such applications as commercial,industrial, and automotives areas.

We are looking forward to setting up business relationship with you and hope to provide you with the best service and solution. Let us make a better world for our industry!



Contact us

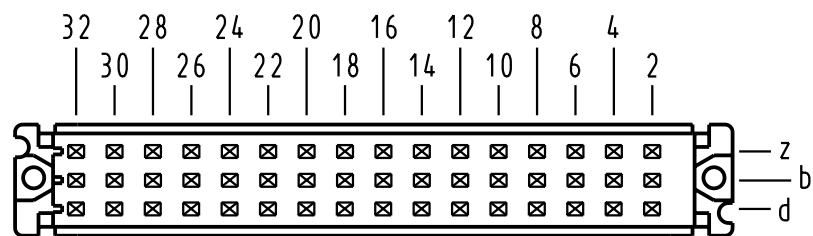
Tel: +86-755-8981 8866 Fax: +86-755-8427 6832

Email & Skype: info@chipsmall.com Web: www.chipsmall.com

Address: A1208, Overseas Decoration Building, #122 Zhenhua RD., Futian, Shenzhen, China

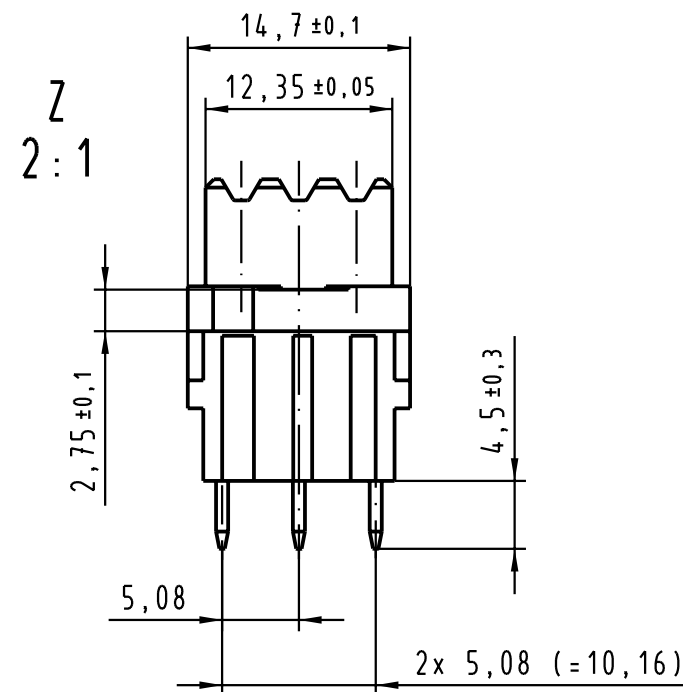


X
Kontaktanordnung
contact arrangement

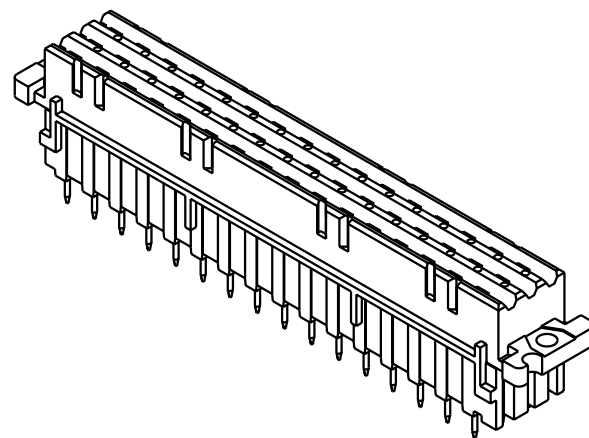
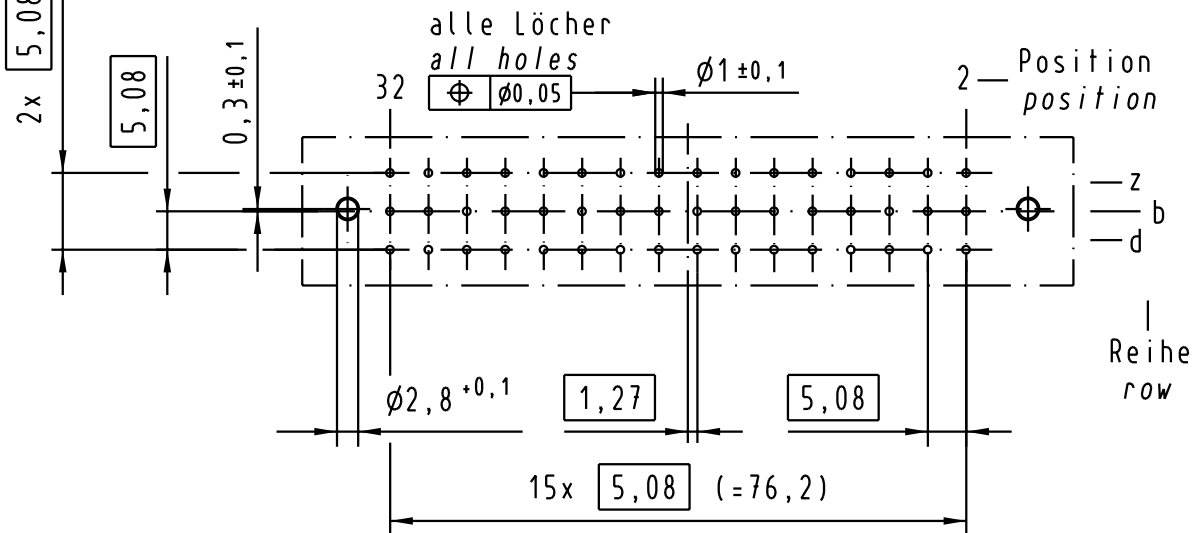


48 Einlöt-Kontakte
48 solder-contacts

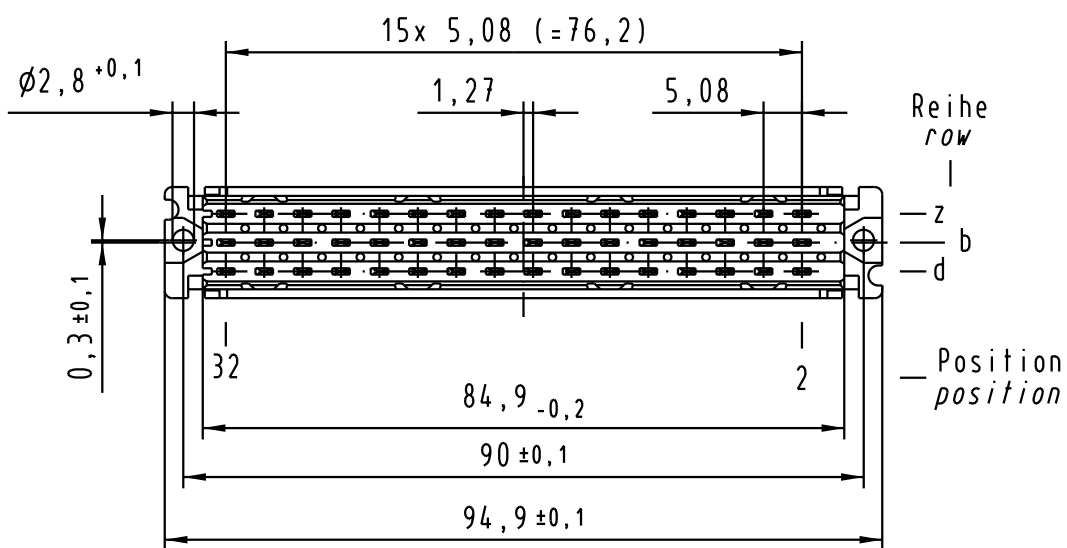
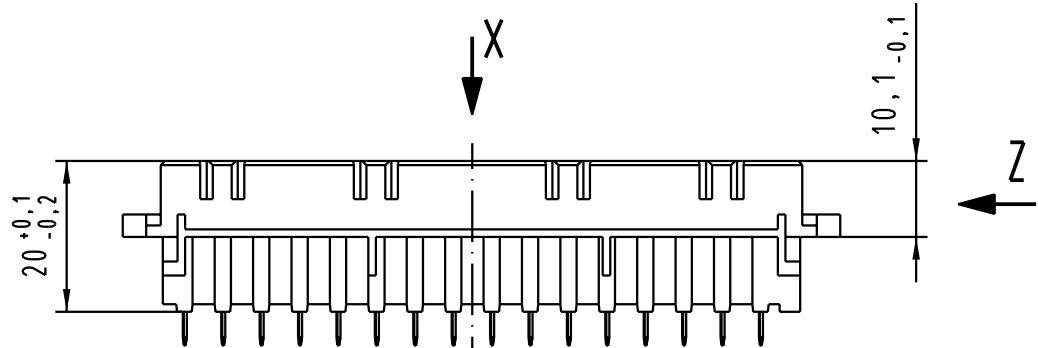
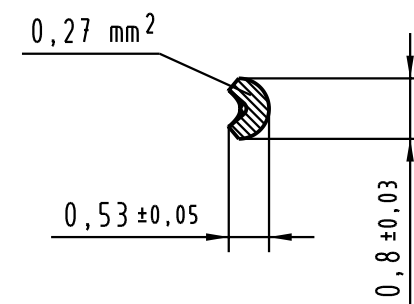
- ⊗ = Einlöt-Kontakt
= solder-contact
- = Kontaktposition nicht belegt
= position without contact



X
(Lochbild)
(board drillings)



Y
10:1
Querschnitt der Lötanschlüsse:
cross-section of solder terminations:



09 06 248 6835	2	Au über/over Ni
09 06 248 2835	1	Au über/over Ni
Bestell-Nr. part-no.	Anforderungsstufe nach IEC performance level per IEC	Kontaktoberfläche contact plating

31640	Mod.	Dat.	Name	HARTING Electronics GmbH & Co. KG D-32339 ESPELKAMP	Techn. Character. siehe / see IEC 60603-2	Nicht tolerierte Maßel Free size tolerances siehe / see IEC 60603-2		
							Detail.	26.11.03
					Insp.	26.11.03	kfoe.	Bauform F Federleiste Einlöt 4,5 48 pol. type F female connector solder 4,5 48 pol.
					Stand.			
								Blatt / page

Alle Rechte vorbehalten. All rights reserved