



Chipsmall Limited consists of a professional team with an average of over 10 year of expertise in the distribution of electronic components. Based in Hongkong, we have already established firm and mutual-benefit business relationships with customers from,Europe,America and south Asia,supplying obsolete and hard-to-find components to meet their specific needs.

With the principle of “Quality Parts,Customers Priority,Honest Operation,and Considerate Service”,our business mainly focus on the distribution of electronic components. Line cards we deal with include Microchip,ALPS,ROHM,Xilinx,Pulse,ON,Everlight and Freescale. Main products comprise IC,Modules,Potentiometer,IC Socket,Relay,Connector.Our parts cover such applications as commercial,industrial, and automotives areas.

We are looking forward to setting up business relationship with you and hope to provide you with the best service and solution. Let us make a better world for our industry!



## Contact us

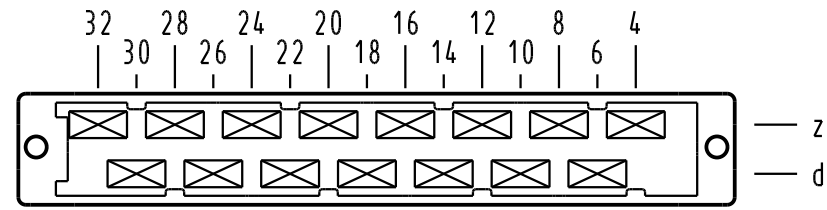
Tel: +86-755-8981 8866 Fax: +86-755-8427 6832

Email & Skype: info@chipsmall.com Web: www.chipsmall.com

Address: A1208, Overseas Decoration Building, #122 Zhenhua RD., Futian, Shenzhen, China



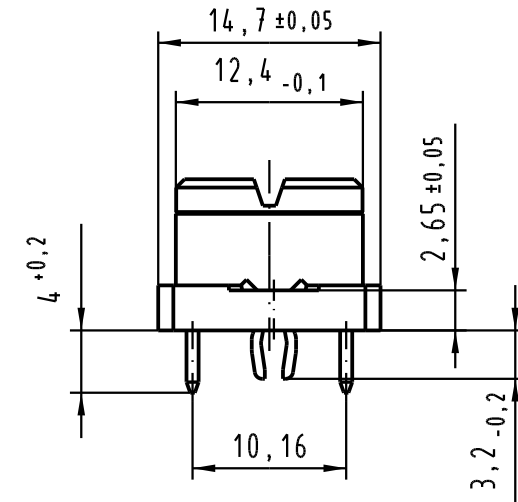
X Kontaktanordnung / contact arrangement



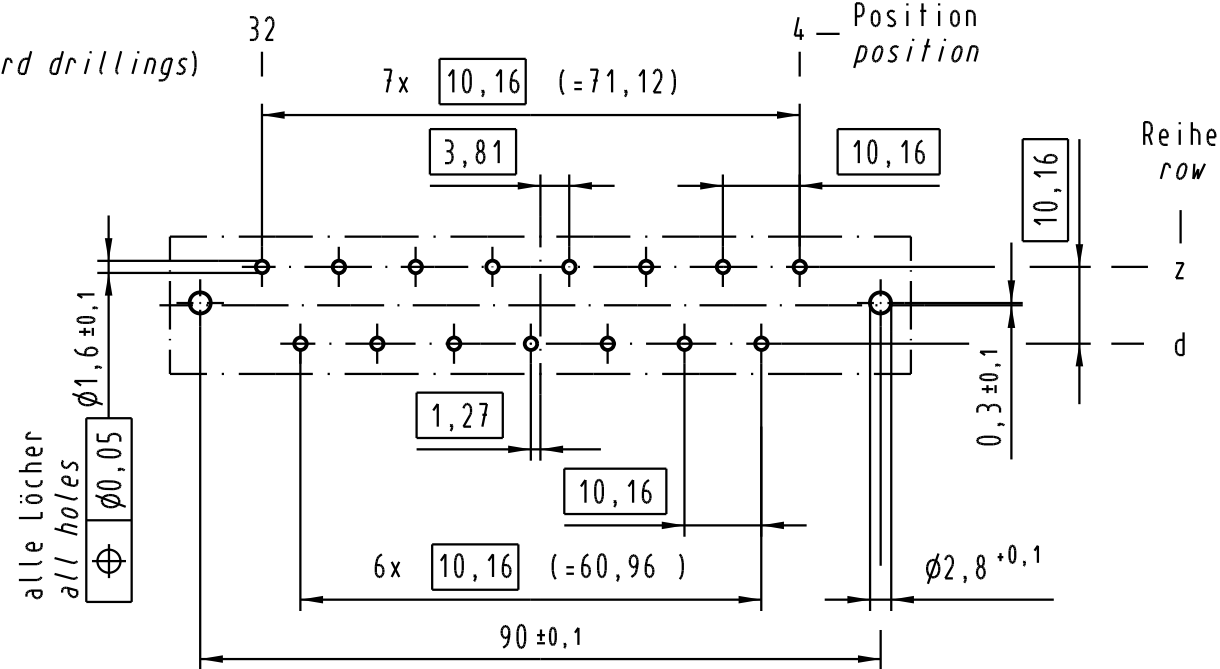
15 Kontakte  
15 contacts

- ☒ = Kontaktposition belegt  
= position with contact
- ☐ = Kontaktposition nicht belegt  
= position without contact

Z  
2:1

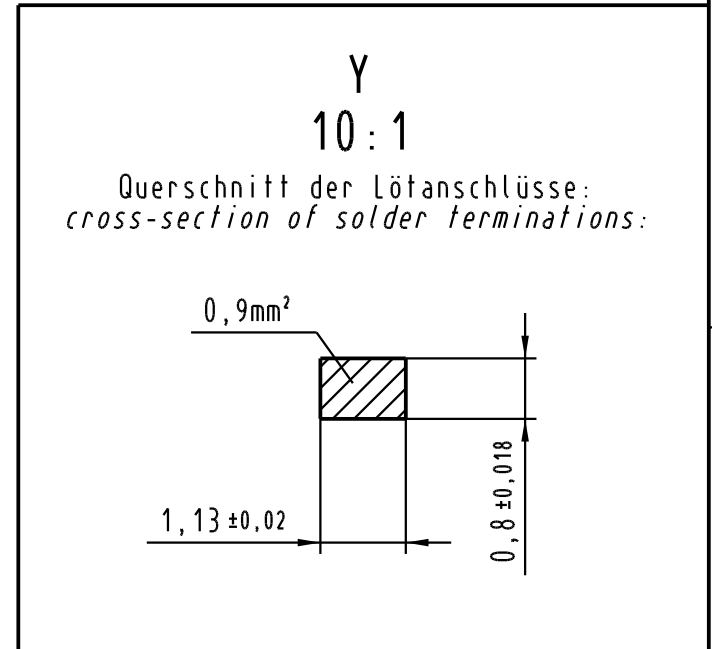
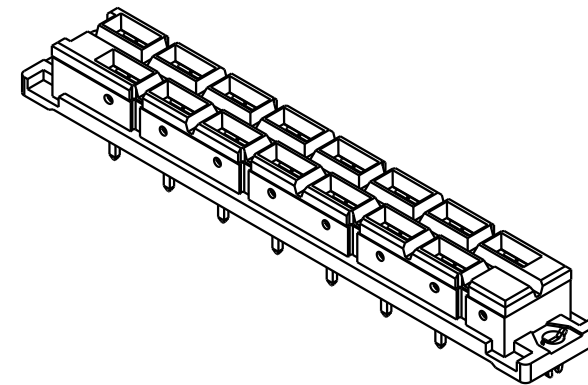
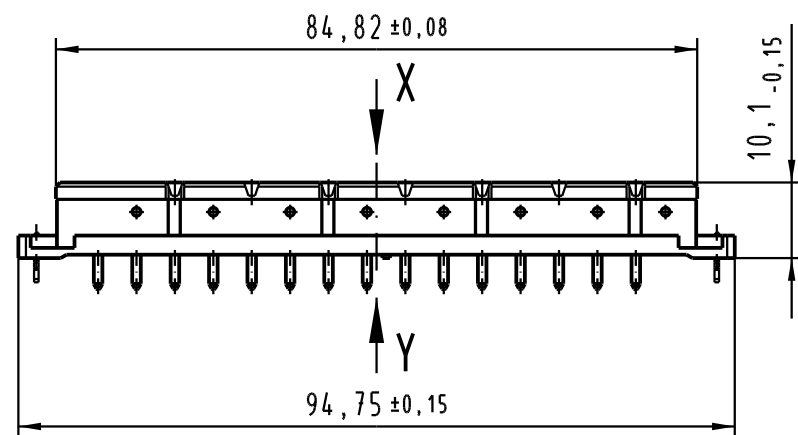


X (Lochbild / board drillings)

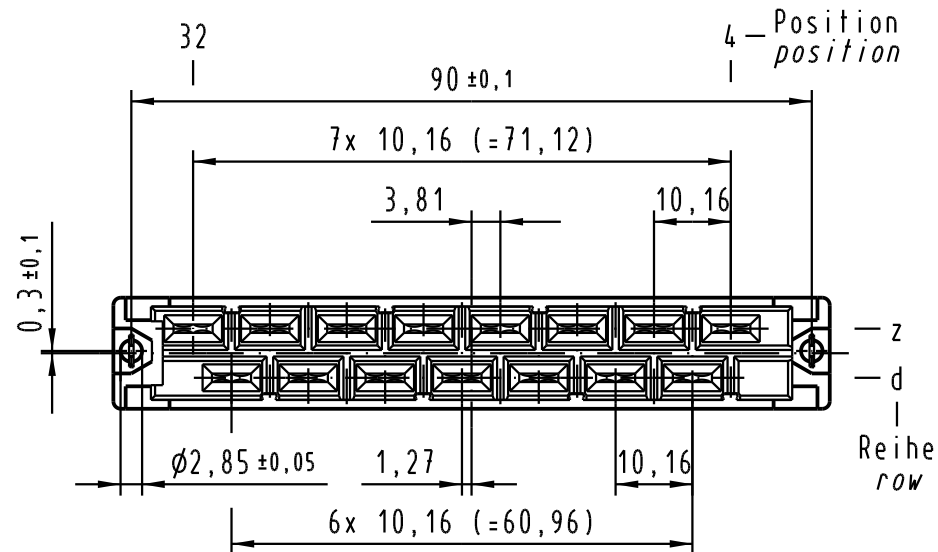


alle Löcher  
all holes  
Ø 1,6 ± 0,1  
Ø 0,05

Reihe  
row  
|  
z  
|  
d





Kontaktoberfläche Ag  
contact plating Ag



z  
d  
Reihe  
row

Alle Rechte vorbehalten / All rights reserved

 All Dimensions in mm Original Size DIN A 3	Techn. Character. IEC 60603-2		Nicht tolerierte Maß / Free size tolerances IEC 60603-2		
	Dat. Detail. 25.05.04 Insp. 25.05.04 Stand.	Name Leh. kfoe	Maßstab / Scale 1:1 2:1	Bauform / type H 15 low profile Federleiste Einlötl 4,0 mit Clip female connector solder 4,0 with clip	
32581 21.02.05 Leh. 32041 Mod.	HARTING Electronics GmbH & Co. KG D-32339 ESPELKAMP			TB 09 06 315 2821 Sub. 09 06 315 2821 Mod. 26008 v. 07.06.99	Blatt / page