



Chipsmall Limited consists of a professional team with an average of over 10 year of expertise in the distribution of electronic components. Based in Hongkong, we have already established firm and mutual-benefit business relationships with customers from,Europe,America and south Asia,supplying obsolete and hard-to-find components to meet their specific needs.

With the principle of “Quality Parts,Customers Priority,Honest Operation,and Considerate Service”,our business mainly focus on the distribution of electronic components. Line cards we deal with include Microchip,ALPS,ROHM,Xilinx,Pulse,ON,Everlight and Freescale. Main products comprise IC,Modules,Potentiometer,IC Socket,Relay,Connector.Our parts cover such applications as commercial,industrial, and automotives areas.

We are looking forward to setting up business relationship with you and hope to provide you with the best service and solution. Let us make a better world for our industry!



## Contact us

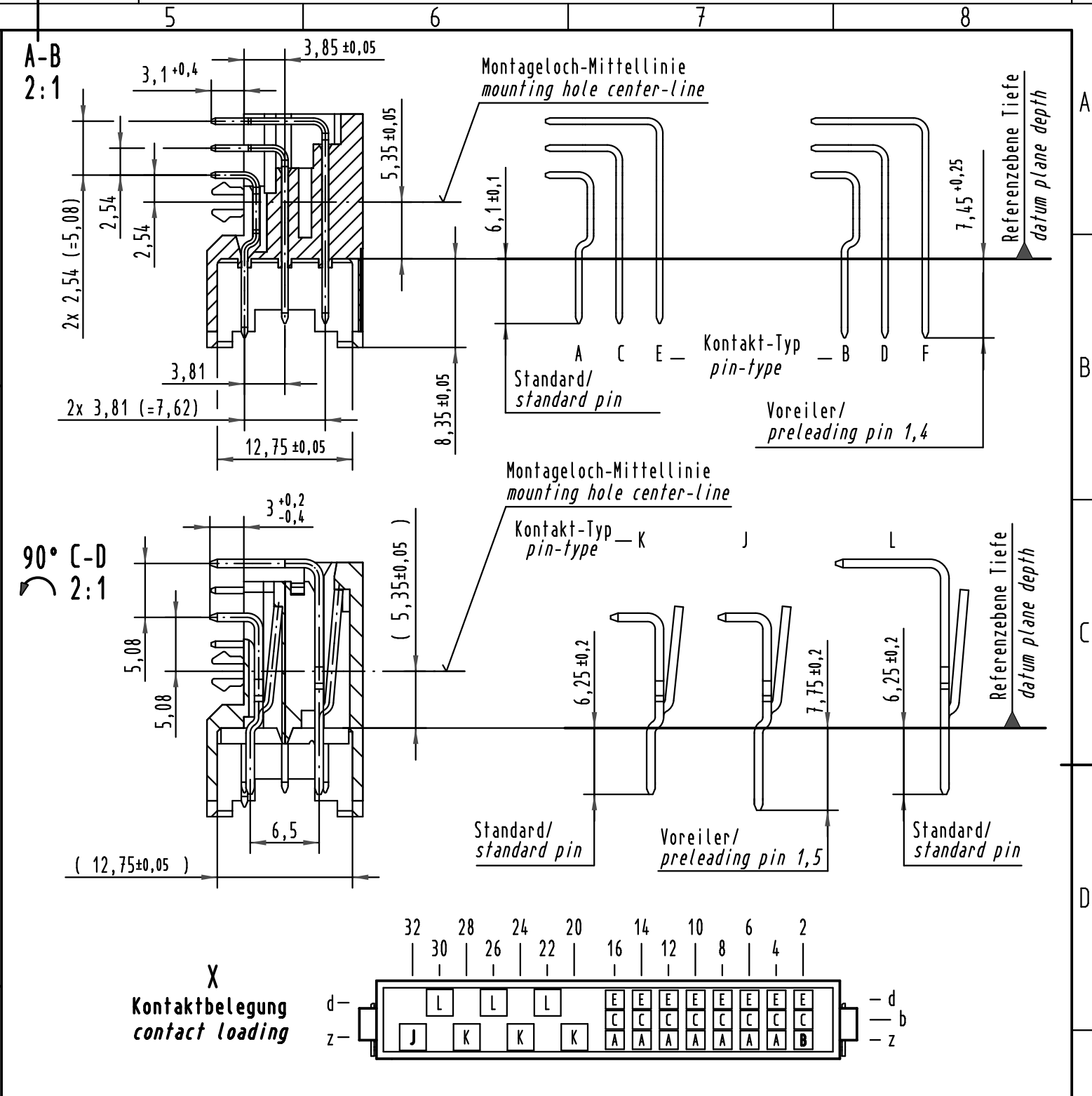
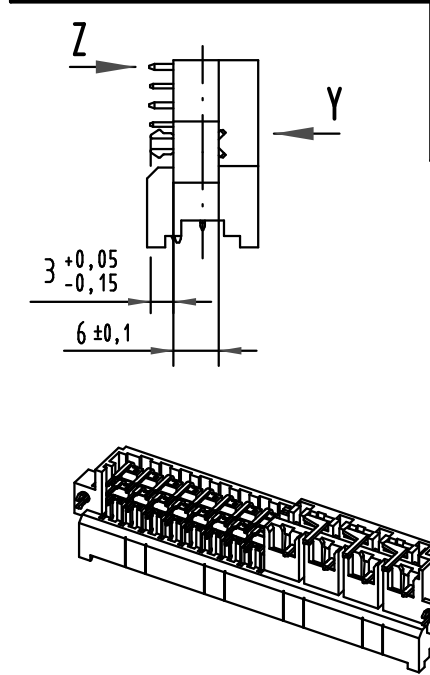
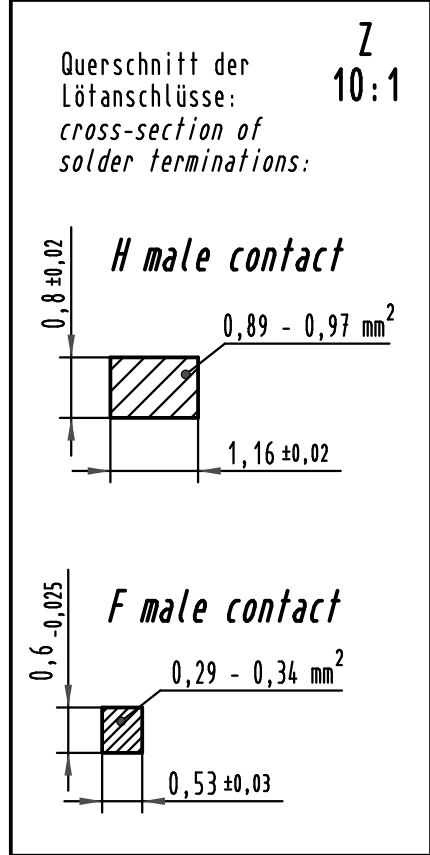
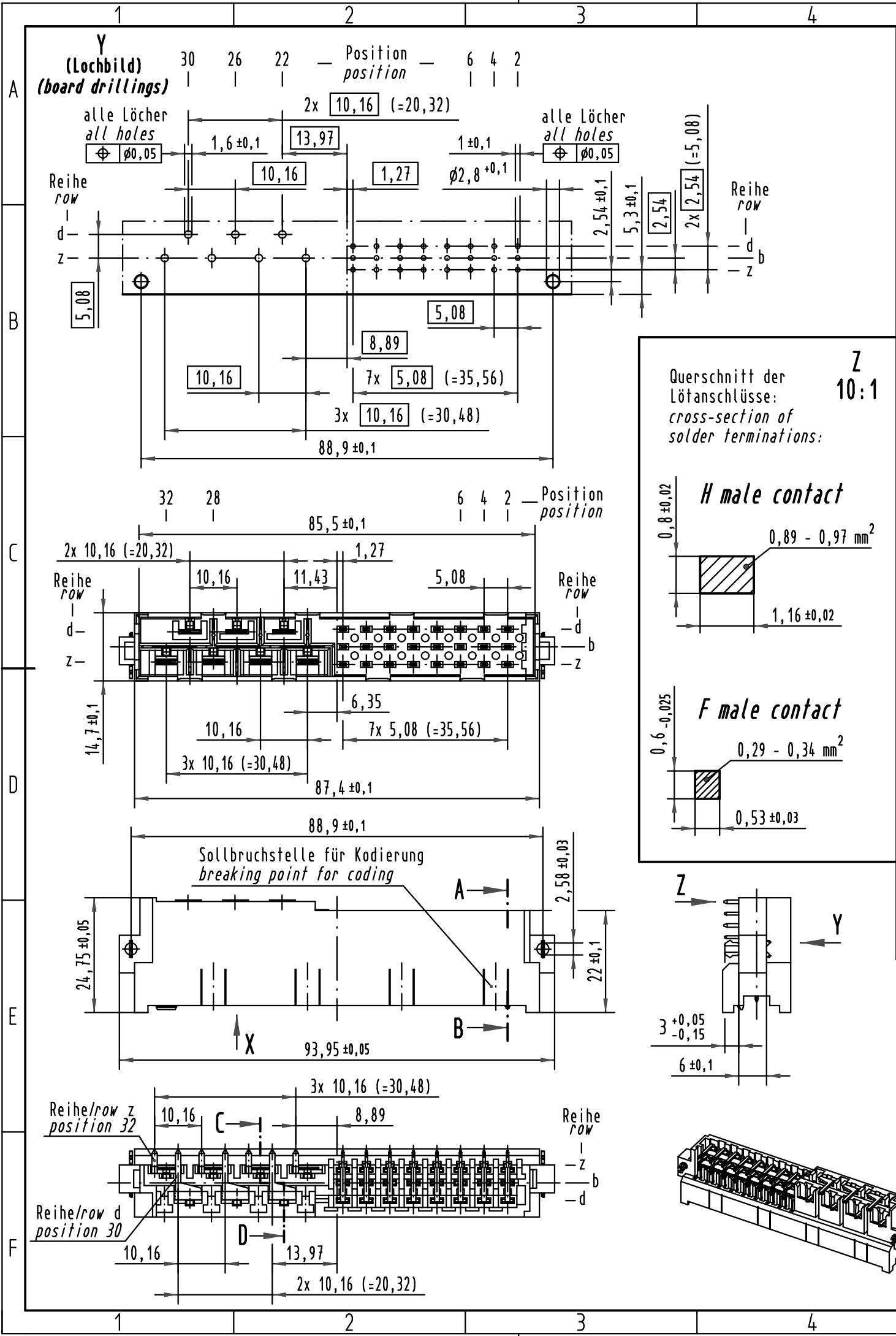
Tel: +86-755-8981 8866 Fax: +86-755-8427 6832

Email & Skype: info@chipsmall.com Web: www.chipsmall.com

Address: A1208, Overseas Decoration Building, #122 Zhenhua RD., Futian, Shenzhen, China



Alle Rechte vorbehalten/ All rights reserved



**X Kontaktbelegung contact loading**

		32	28	24	20	14	10	6	2	
d-		L	L	L	E	E	E	E	E	E
z-		J	K	K	A	A	A	A	A	B

09 06 331 6924	2	Ag over Ni	Sn over Ag over Ni	Au over PdNi over Ni	Sn over Ni
Bestell-Nr. part-no.	AFS nach IEC pl acc. to IEC	Steckbereich H contact area H	Anschlußbereich H termination area H	Steckbereich F contact area F	Anschlußbereich F termination area F
All Dimensions in mm Original Size DIN A 3		Techn. Character.		Nicht tolerierte Maß/Free size tolerances ergänzend / complementary IEC 60603-2	
		Dat.	Name	Maßstab/Scale	
		Detail.	18.04.04 Hil	1:1	
		Insp.	18.04.05 kfoe	2:1	
		Stand.		10:1	
35260	09.09.08 Hage.	HARTING Electronics GmbH & Co. KG D-32339 ESPELKAMP			
33169	18.11.05 Leh.				
32575					
Mod.	Dat.	Name	TB 09 06 331 x924		Blatt/page
			Sub.		