



Chipsmall Limited consists of a professional team with an average of over 10 year of expertise in the distribution of electronic components. Based in Hongkong, we have already established firm and mutual-benefit business relationships with customers from,Europe,America and south Asia,supplying obsolete and hard-to-find components to meet their specific needs.

With the principle of “Quality Parts,Customers Priority,Honest Operation,and Considerate Service”,our business mainly focus on the distribution of electronic components. Line cards we deal with include Microchip,ALPS,ROHM,Xilinx,Pulse,ON,Everlight and Freescale. Main products comprise IC,Modules,Potentiometer,IC Socket,Relay,Connector.Our parts cover such applications as commercial,industrial, and automotives areas.

We are looking forward to setting up business relationship with you and hope to provide you with the best service and solution. Let us make a better world for our industry!



Contact us

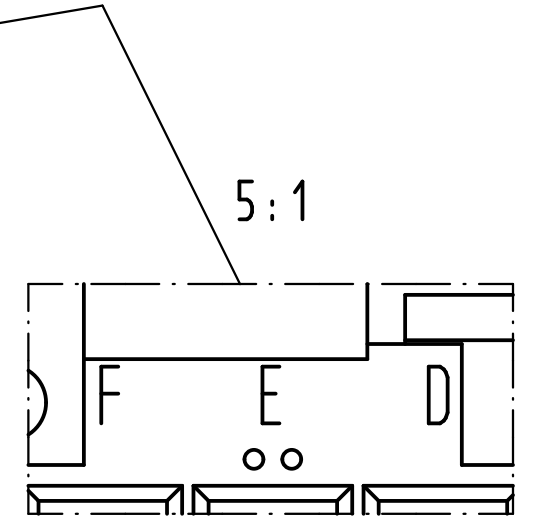
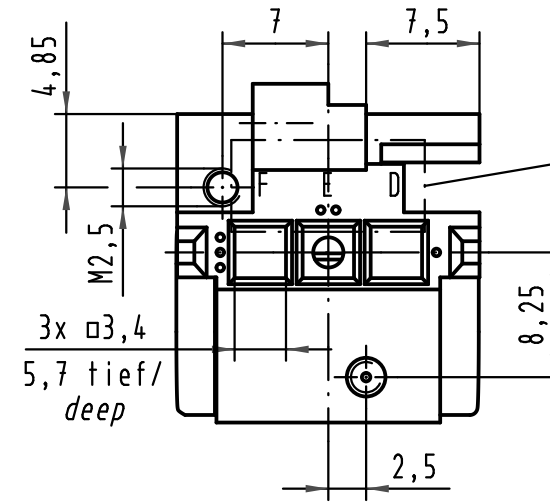
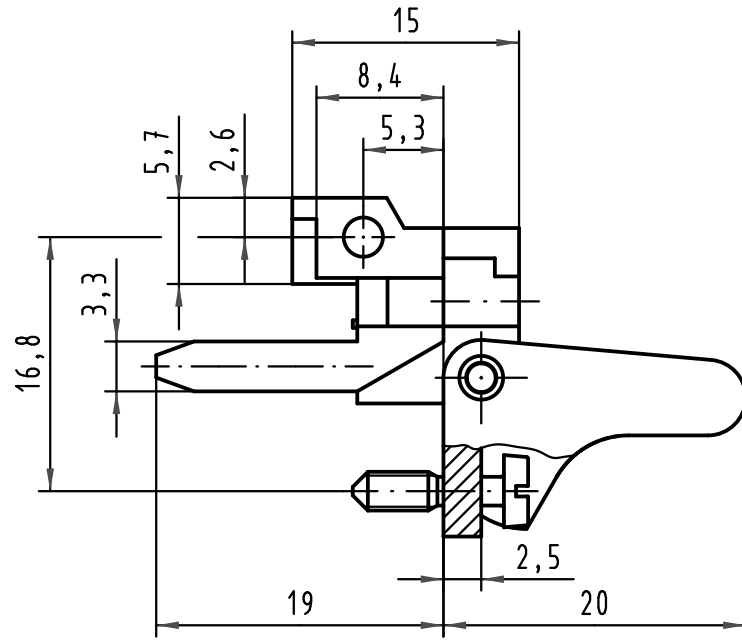
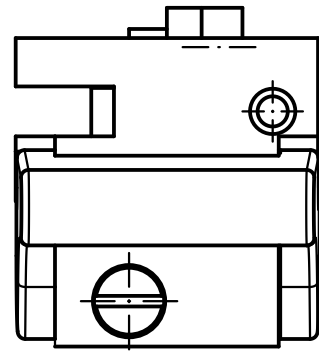
Tel: +86-755-8981 8866 Fax: +86-755-8427 6832

Email & Skype: info@chipsmall.com Web: www.chipsmall.com

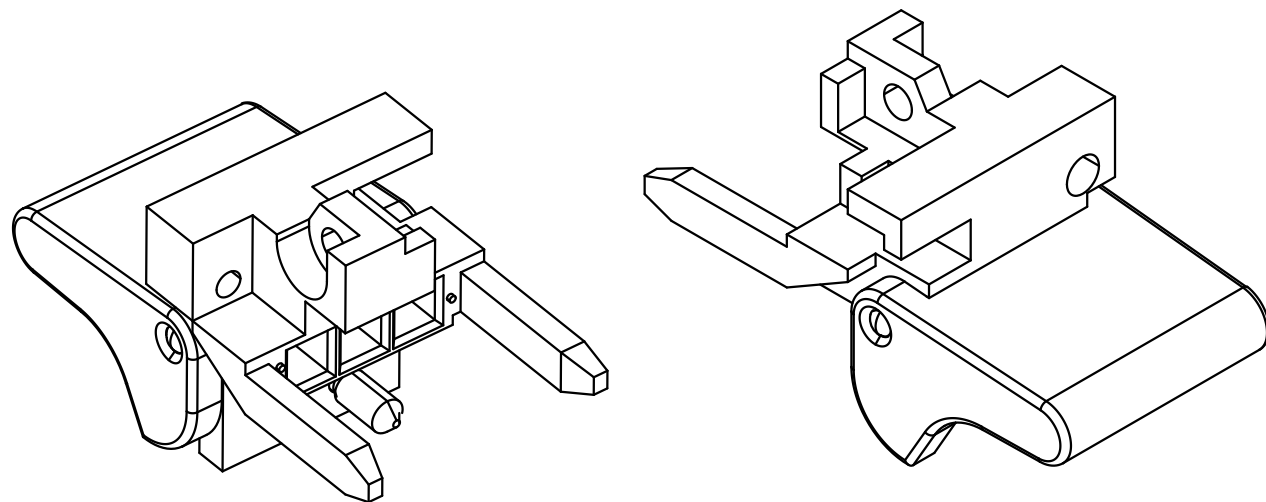
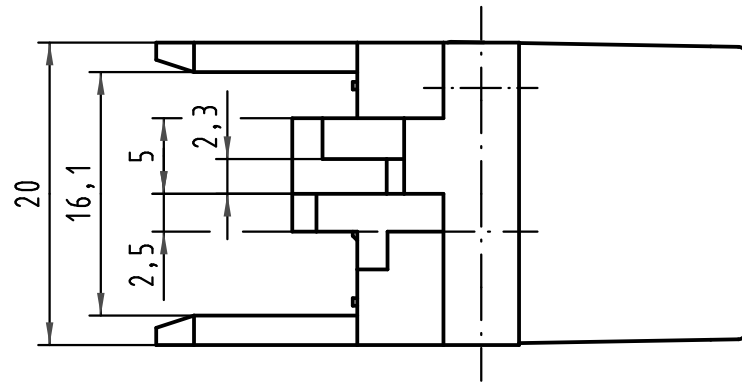
Address: A1208, Overseas Decoration Building, #122 Zhenhua RD., Futian, Shenzhen, China



Alle Rechte vorbehalten/ All rights reserved



Kennzeichnung beachten!
consider marking!



Rastelement aus Zink- Druckguss vernickelt, Hebel aus glasfaserverstärktem Kunststoff
fixing bracket of nickel plated zinc die casting, lever of fibre reinforced plastic

All Dimensions in mm Original Size DIN A 3			Techn. Character.			Nicht tolerierte Maße/Free size tolerances ISO 2768 mK		
				Dat.	Name	Maßstab/Scale 2:1 5:1	Rastelement links für Schalengehäuse D20 fixing bracket left for shell housing D20	
				Detail.	13.07.09 LehT			
				Insp.	13.07.09 TD			
				Stand.				
35549	22.07.09	LehT	HARTING Electronics GmbH & Co. KG				TB 09 06 800 9943	
35537			D-32339 ESPELKAMP					
Mod.	Dat.	Name					Sub.	Blatt/ page