



Chipsmall Limited consists of a professional team with an average of over 10 year of expertise in the distribution of electronic components. Based in Hongkong, we have already established firm and mutual-benefit business relationships with customers from,Europe,America and south Asia,supplying obsolete and hard-to-find components to meet their specific needs.

With the principle of “Quality Parts,Customers Priority,Honest Operation,and Considerate Service”,our business mainly focus on the distribution of electronic components. Line cards we deal with include Microchip,ALPS,ROHM,Xilinx,Pulse,ON,Everlight and Freescale. Main products comprise IC,Modules,Potentiometer,IC Socket,Relay,Connector.Our parts cover such applications as commercial,industrial, and automotives areas.

We are looking forward to setting up business relationship with you and hope to provide you with the best service and solution. Let us make a better world for our industry!



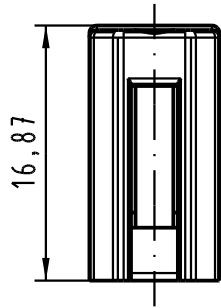
## Contact us

Tel: +86-755-8981 8866 Fax: +86-755-8427 6832

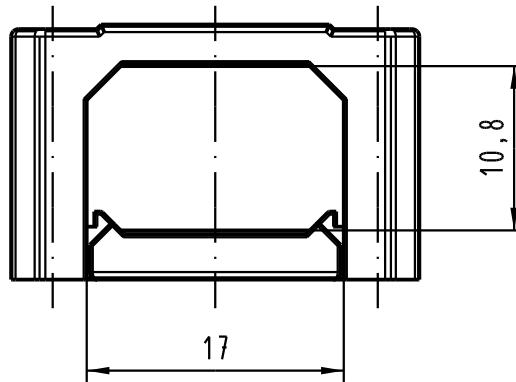
Email & Skype: info@chipsmall.com Web: www.chipsmall.com

Address: A1208, Overseas Decoration Building, #122 Zhenhua RD., Futian, Shenzhen, China

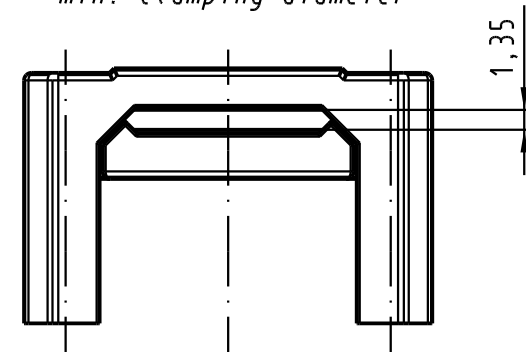




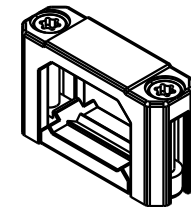
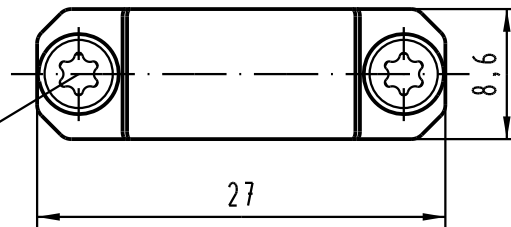
max. Klemmdurchmesser  
max. clamping diameter



min. Klemmdurchmesser  
min. clamping diameter



Schraube M2,5 x16 Torx  
screw M2,5 x16 Torx



All Dimensions in mm Original Size DIN A 4		Techn. Character.			Nicht tolerierte Maßel Free size tolerances	
			Dat.	Name	Maßstab/Scale 2:1	Kabelklemme schmal Metall HF20 cable clamp small metal HF20
		Detail.	13.07.06	Hage.		
		Insp.	13.07.06	mte		
		Stand.				
33762		HARTING Electronics GmbH & Co. KG				TB 09 06 800 9992
Mod.	Dat.	Name	D-32339 ESPELKAMP			
					Sub.	Blatt/ page