



Chipsmall Limited consists of a professional team with an average of over 10 year of expertise in the distribution of electronic components. Based in Hongkong, we have already established firm and mutual-benefit business relationships with customers from,Europe,America and south Asia,supplying obsolete and hard-to-find components to meet their specific needs.

With the principle of “Quality Parts,Customers Priority,Honest Operation,and Considerate Service”,our business mainly focus on the distribution of electronic components. Line cards we deal with include Microchip,ALPS,ROHM,Xilinx,Pulse,ON,Everlight and Freescale. Main products comprise IC,Modules,Potentiometer,IC Socket,Relay,Connector.Our parts cover such applications as commercial,industrial, and automotives areas.

We are looking forward to setting up business relationship with you and hope to provide you with the best service and solution. Let us make a better world for our industry!



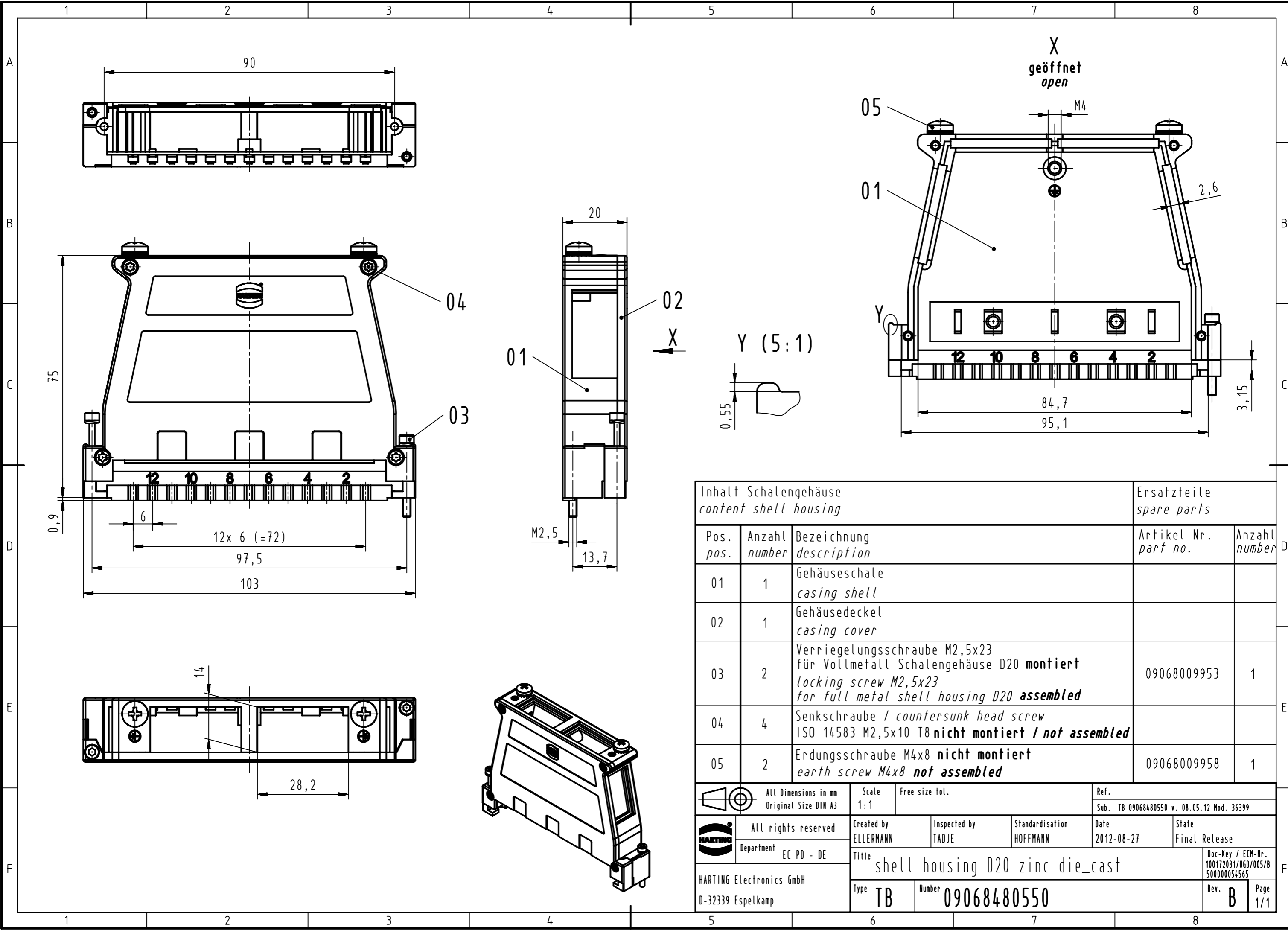
Contact us

Tel: +86-755-8981 8866 Fax: +86-755-8427 6832

Email & Skype: info@chipsmall.com Web: www.chipsmall.com

Address: A1208, Overseas Decoration Building, #122 Zhenhua RD., Futian, Shenzhen, China





Inhalt Schalengehäuse content shell housing			Ersatzteile spare parts	
Pos. pos.	Anzahl number	Bezeichnung description	Artikel Nr. part no.	Anzahl number
01	1	Gehäuseschale casing shell		
02	1	Gehäusedeckel casing cover		
03	2	Verriegelungsschraube M2,5x23 für Vollmetall Schalengehäuse D20 montiert locking screw M2,5x23 for full metal shell housing D20 assembled	09068009953	1
04	4	Senkschraube / countersunk head screw ISO 14583 M2,5x10 T8 nicht montiert / not assembled		
05	2	Erdungsschraube M4x8 nicht montiert earth screw M4x8 not assembled	09068009958	1

	All rights reserved		Created by ELLERMANN	Inspected by TADJE	Standardisation HOFFMANN	Date 2012-08-27	State Final Release
	Department EC PD - DE		Title shell housing D20 zinc die_cast				Doc-Key / ECH-Nr. 100172031/UGD/005/B 50000054565
HARTING Electronics GmbH D-32339 Espelkamp		Type TB	Number 09068480550		Rev. B	Page 1/1	