



Chipsmall Limited consists of a professional team with an average of over 10 year of expertise in the distribution of electronic components. Based in Hongkong, we have already established firm and mutual-benefit business relationships with customers from,Europe,America and south Asia,supplying obsolete and hard-to-find components to meet their specific needs.

With the principle of “Quality Parts,Customers Priority,Honest Operation,and Considerate Service”,our business mainly focus on the distribution of electronic components. Line cards we deal with include Microchip,ALPS,ROHM,Xilinx,Pulse,ON,Everlight and Freescale. Main products comprise IC,Modules,Potentiometer,IC Socket,Relay,Connector.Our parts cover such applications as commercial,industrial, and automotives areas.

We are looking forward to setting up business relationship with you and hope to provide you with the best service and solution. Let us make a better world for our industry!



## Contact us

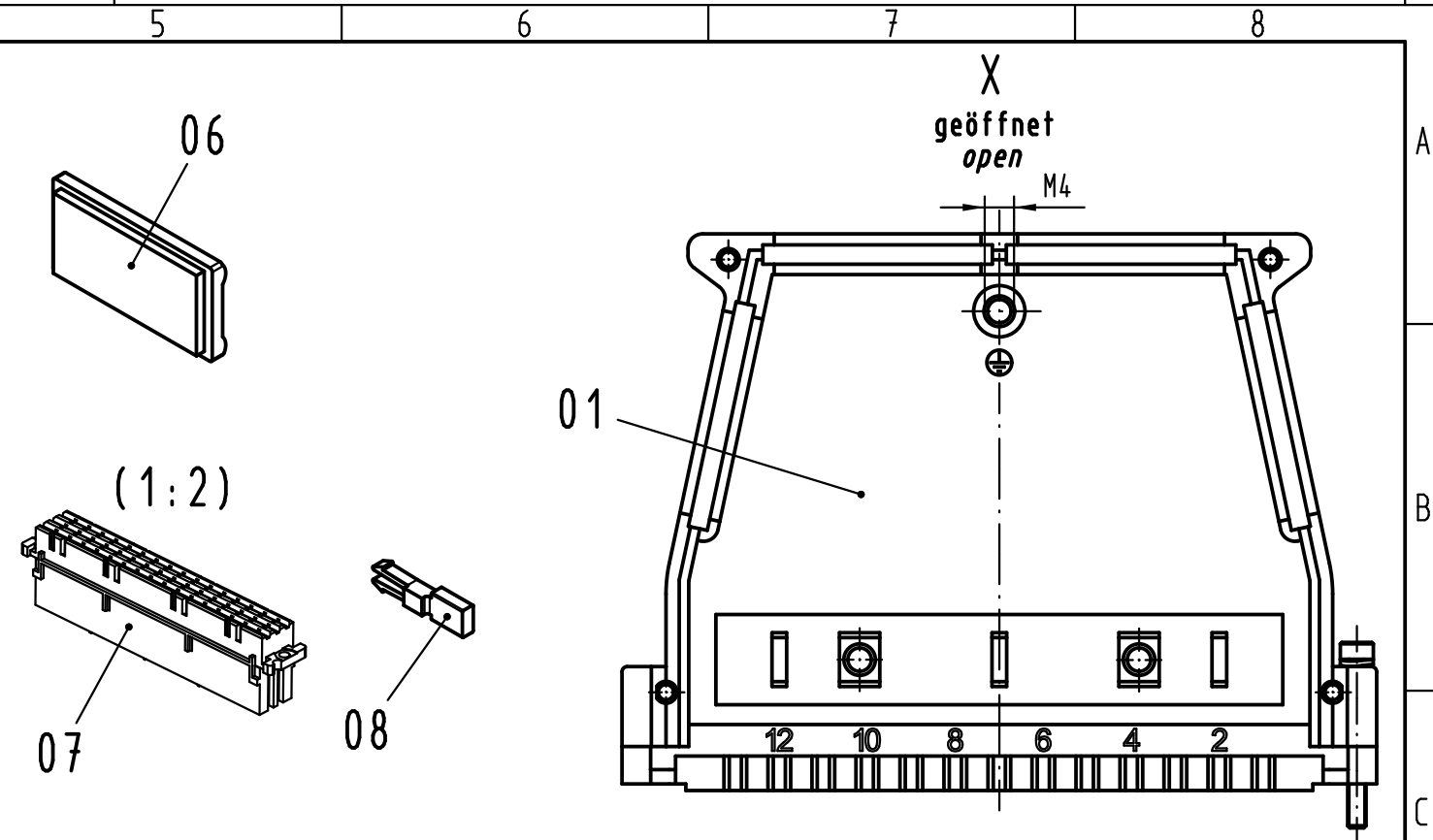
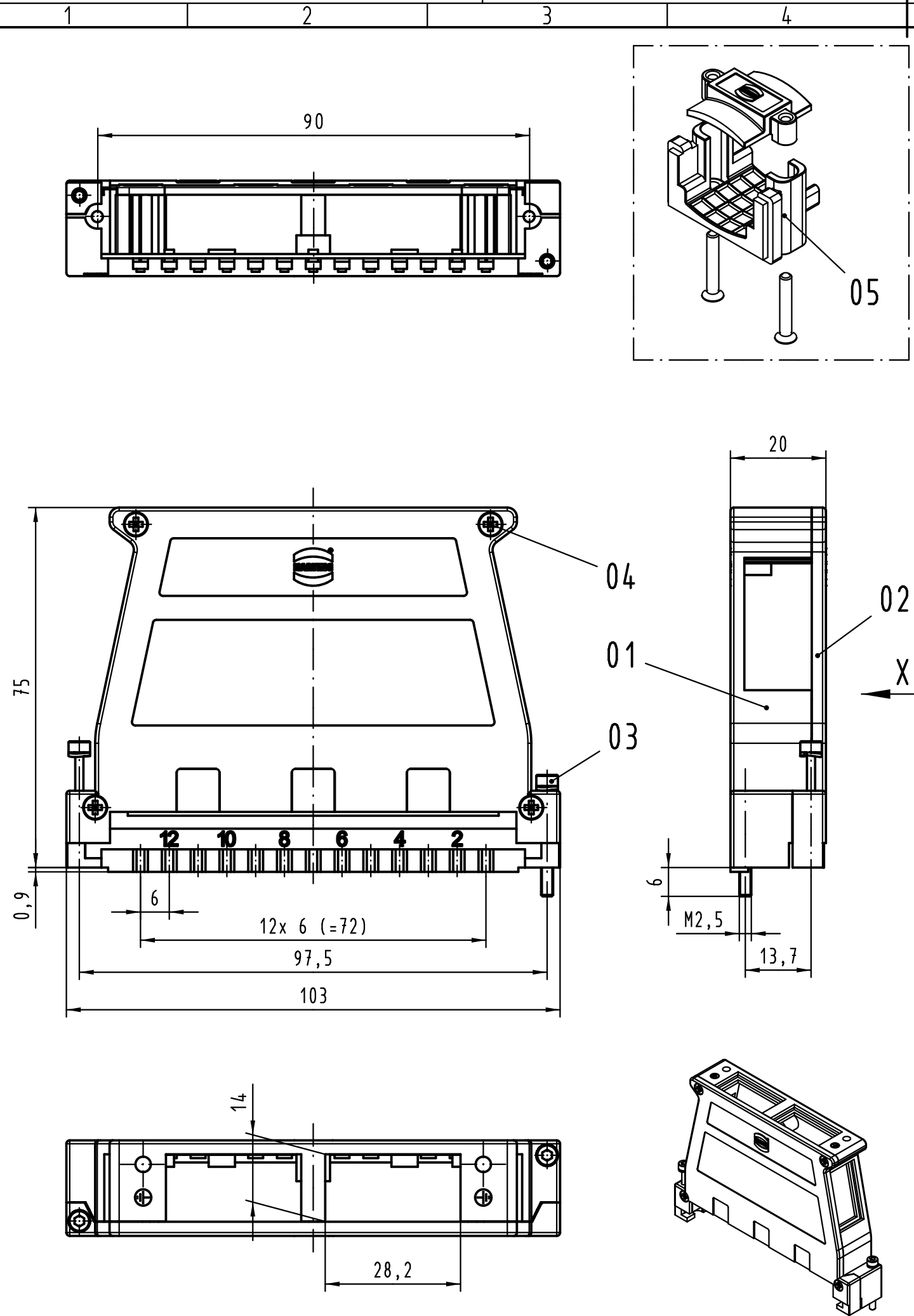
Tel: +86-755-8981 8866 Fax: +86-755-8427 6832

Email & Skype: info@chipsmall.com Web: www.chipsmall.com

Address: A1208, Overseas Decoration Building, #122 Zhenhua RD., Futian, Shenzhen, China



Alle Rechte vorbehalten/ All rights reserved



Inhalt Schalengehäuse content shell housing			Ersatzteile spare parts	
Pos. pos.	Anzahl number	Bezeichnung description	Artikel Nr. part no.	Anzahl number
01	1	Gehäuseschale casing shell		
02	1	Gehäusedeckel casing cover		
03	2	Verriegelungsschraube M2,5x23 für Vollmetall Schalengehäuse D20 montiert locking screw M2,5x23 for full metal shell housing D20 assembled		
04	4	Senkschraube / countersunk head screw ISO 7046 M2,5x10-V2-H nicht montiert / not assembled		
05	1	Kabelklemme D20 nicht montiert cable clamp D20 not assembled	09 06 800 9955	1
06	3	Blindstopfen nicht montiert blanking piece not assembled	09 06 800 9951	1
07	1	FC-Crimpträger vormontiert FC-crimp connector pre-assembled	09 06 248 3201	1
08	1	Codierstift nicht montiert coding pin not assembled	09 06 001 9905	1

All Dimensions in mm Original Size DIN A 3		Techn. Character. Dat. Name Maßstab/Scale Detail. 13.01.09 Hage. Insp. 13.01.09 mte Stand.		Nicht tolerierte Maß/Free size tolerances Schalengehäuse D20 Zinkdruckguss vernickelt shell housing D20 zinc die-cast nickel plated	
36399	08.05.12	Hage.	1:1	TB 09 06 848 0553 Sub.	Blatt/page
36101	23.05.11	Hage.			
35465					
Mod.	Dat.	Name	HARTING Electronics GmbH & Co. KG D-32339 ESPELKAMP		

