



Chipsmall Limited consists of a professional team with an average of over 10 year of expertise in the distribution of electronic components. Based in Hongkong, we have already established firm and mutual-benefit business relationships with customers from,Europe,America and south Asia,supplying obsolete and hard-to-find components to meet their specific needs.

With the principle of “Quality Parts,Customers Priority,Honest Operation,and Considerate Service”,our business mainly focus on the distribution of electronic components. Line cards we deal with include Microchip,ALPS,ROHM,Xilinx,Pulse,ON,Everlight and Freescale. Main products comprise IC,Modules,Potentiometer,IC Socket,Relay,Connector.Our parts cover such applications as commercial,industrial, and automotives areas.

We are looking forward to setting up business relationship with you and hope to provide you with the best service and solution. Let us make a better world for our industry!



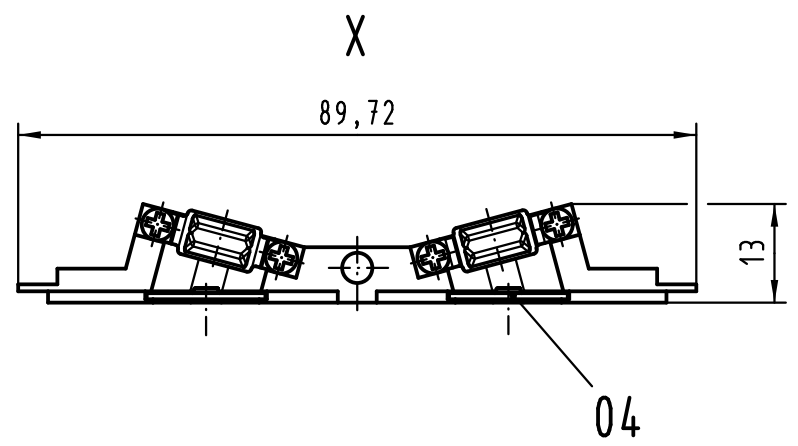
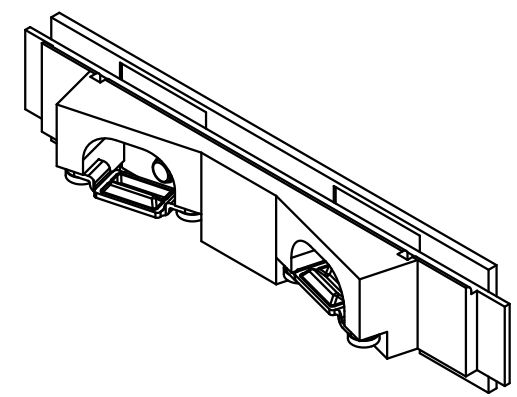
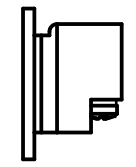
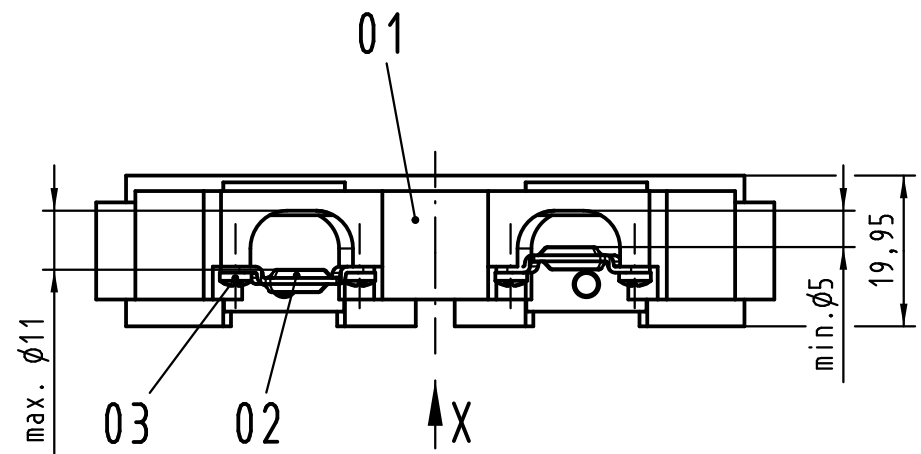
Contact us

Tel: +86-755-8981 8866 Fax: +86-755-8427 6832

Email & Skype: info@chipsmall.com Web: www.chipsmall.com

Address: A1208, Overseas Decoration Building, #122 Zhenhua RD., Futian, Shenzhen, China





Inhalt Schalengehäuse <i>content shell housing</i>			Ersatzteile <i>spare parts</i>	
Pos. <i>pos.</i>	Anzahl <i>number</i>	Benennung <i>description</i>	Artikel Nr. <i>part no.</i>	Anzahl <i>number</i>
01	1	Rundkabeleinsatz <i>round cable insert</i>		
02	2	Kabelschelle D20 <i>cable clamp D20</i>	09 06 048 9993	1
03	4	PT-Schraube / screw <i>2,2x9,5-PZ1</i>	09 06 001 9974	1
04	2	Blindstopfen <i>blind plug</i>		

Teile nicht montiert
parts not assembled

All Dimensions in mm Original Size DIN A 3	Techn. Character.			Nicht tolerierte Maß/Free size tolerances	
		Dat.	Name	Rundkabeleinsatz D20 metallisiert (Oberfläche: Ni) <i>round cable insert D20 metallised (surface: Ni)</i>	
	Detail.	13.03.08	Hage.		
	Insp.	13.03.08	LehT		
	Stand.				
	Maßstab/Scale			1 : 1	
36101	25.03.11	Hage.	HARTING Electronics GmbH & Co. KG D-32339 ESPELKAMP		TB 09 06 900 9988 Sub.
34996					
Mod.	Dat.	Name			