



Chipsmall Limited consists of a professional team with an average of over 10 year of expertise in the distribution of electronic components. Based in Hongkong, we have already established firm and mutual-benefit business relationships with customers from,Europe,America and south Asia,supplying obsolete and hard-to-find components to meet their specific needs.

With the principle of “Quality Parts,Customers Priority,Honest Operation,and Considerate Service”,our business mainly focus on the distribution of electronic components. Line cards we deal with include Microchip,ALPS,ROHM,Xilinx,Pulse,ON,Everlight and Freescale. Main products comprise IC,Modules,Potentiometer,IC Socket,Relay,Connector.Our parts cover such applications as commercial,industrial, and automotives areas.

We are looking forward to setting up business relationship with you and hope to provide you with the best service and solution. Let us make a better world for our industry!



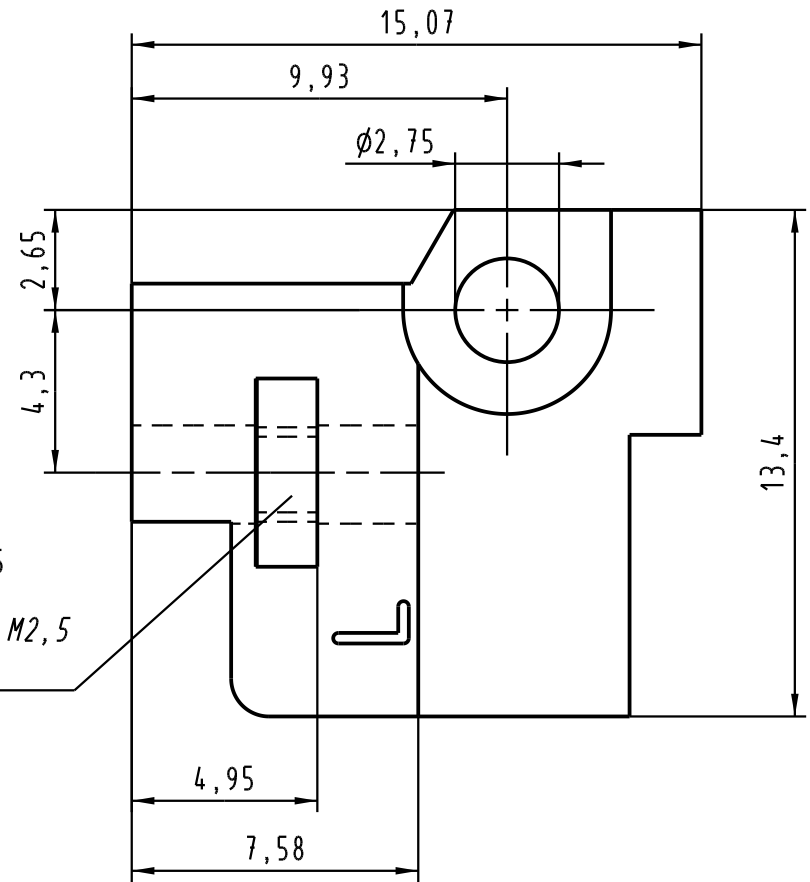
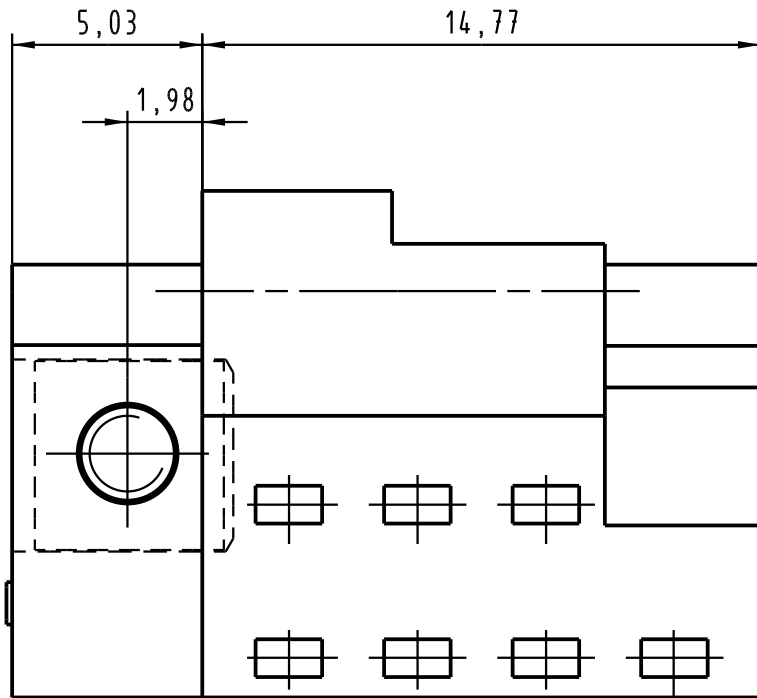
Contact us

Tel: +86-755-8981 8866 Fax: +86-755-8427 6832

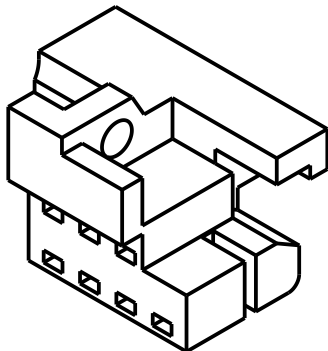
Email & Skype: info@chipsmall.com Web: www.chipsmall.com



Address: A1208, Overseas Decoration Building, #122 Zhenhua RD., Futian, Shenzhen, China





4kt-Mutter M2,5
eingepreßt
square end nut M2,5
pressed-in



 All Dimensions in mm Original Size DIN A 4		Techn. Character.			Nicht tolerierte Maße/Free size tolerances	
			Dat.	Name	Maßstab/Scale 5:1	Rastelement B für Messerleisten mit Codierung links 20mm metallisiert (Oberfläche: Ni) fixing bracket B for male connectors with coding left 20mm metallised (surface: Ni)
		Detail.	09.08.04	Hage.		
		Insp.	09.08.04	Sch.		
		Stand.				
32647	12.07.05	Leh.	HARTING Electronics GmbH & Co. KG		 TB 09 06 900 9997	Blatt/page
32090			D-32339 ESPELKAMP			
Mod.	Dat.	Name			Sub.	