



Chipsmall Limited consists of a professional team with an average of over 10 year of expertise in the distribution of electronic components. Based in Hongkong, we have already established firm and mutual-benefit business relationships with customers from,Europe,America and south Asia,supplying obsolete and hard-to-find components to meet their specific needs.

With the principle of “Quality Parts,Customers Priority,Honest Operation,and Considerate Service”,our business mainly focus on the distribution of electronic components. Line cards we deal with include Microchip,ALPS,ROHM,Xilinx,Pulse,ON,Everlight and Freescale. Main products comprise IC,Modules,Potentiometer,IC Socket,Relay,Connector.Our parts cover such applications as commercial,industrial, and automotives areas.

We are looking forward to setting up business relationship with you and hope to provide you with the best service and solution. Let us make a better world for our industry!



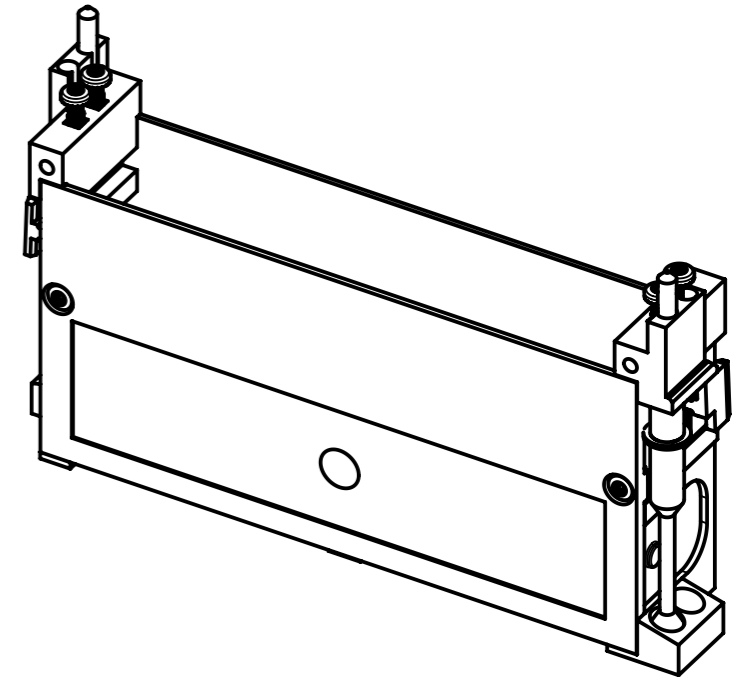
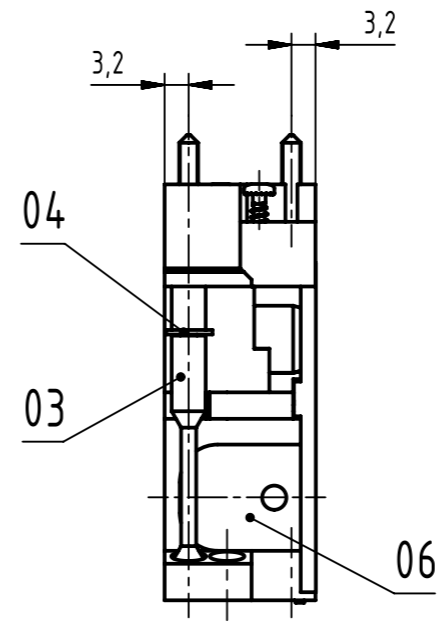
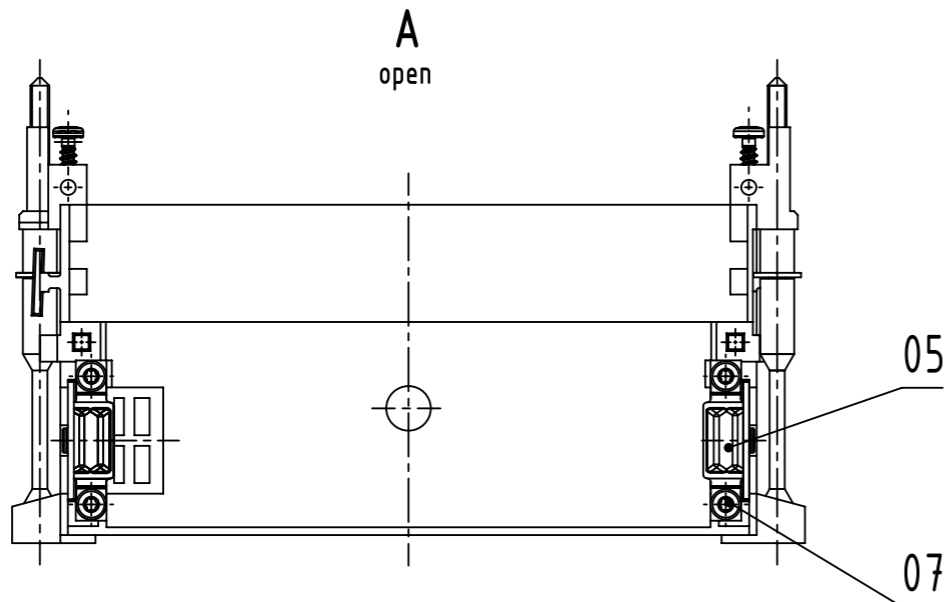
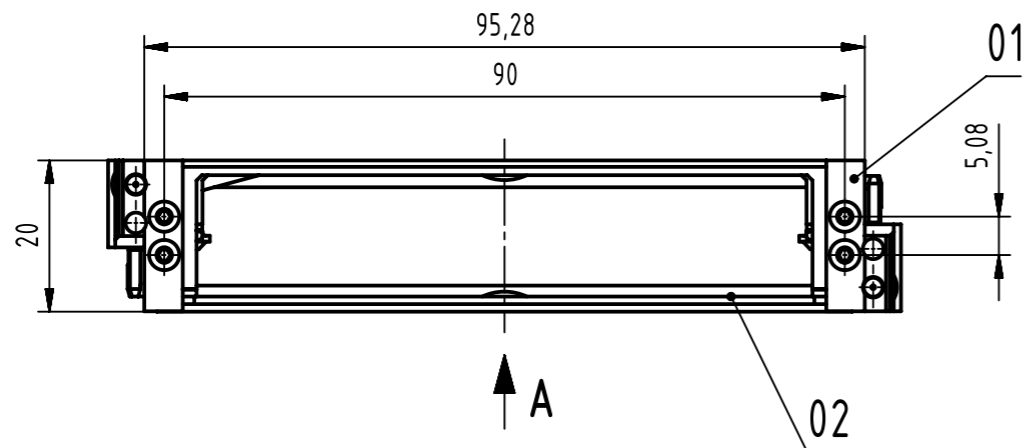
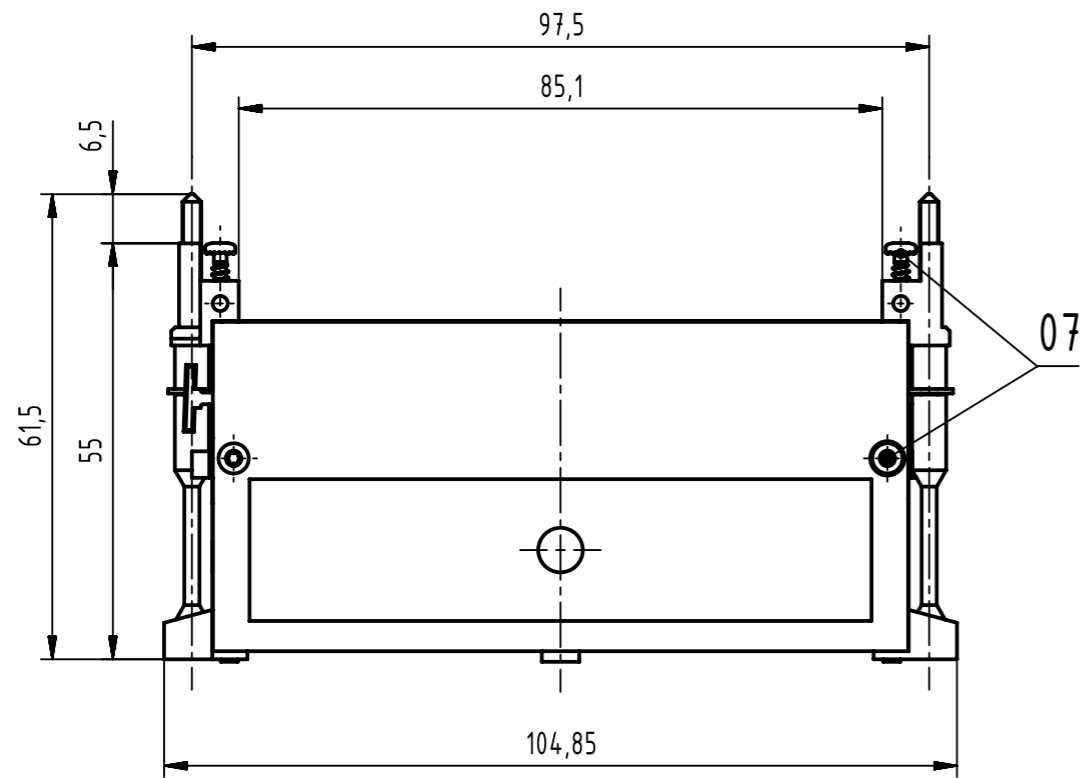
Contact us

Tel: +86-755-8981 8866 Fax: +86-755-8427 6832

Email & Skype: info@chipsmall.com Web: www.chipsmall.com

Address: A1208, Overseas Decoration Building, #122 Zhenhua RD., Futian, Shenzhen, China





set packaging: polybag

content shell housing			spare parts	
pos.	number	description	part no.	number
01	1	shell D20/2 metallised		
02	1	cover D20/2 metallised		
03	2	locking screw M2.5	09060009993 / set	1
04	2	locking washer		1
05	2	cable clamp D20	09060489993	1
06	2	blinding piece D20 metallised		
07	10	PT-screw 2.2x7 - 6IP (Torx-Plus)		

parts not assembled

	All Dimensions in mm Original Size DIN A3		Scale 1:1	Free size tol.		Ref.
	All rights reserved Department EC PD - DE		Created by HAGEMEYERE	Inspected by TADJE	Standardisation HOFFMANN	Date 2013-08-20
HARTING Electronics GmbH D-32339 Espelkamp		Title DIN Power shell housing D20/2 metallised			Doc-Key / ECM-Nr. 100102574/UGD/027/A 50000065477	
		Type TB	Number 09069480521210		Rev. A	Page 1/1