



Chipsmall Limited consists of a professional team with an average of over 10 year of expertise in the distribution of electronic components. Based in Hongkong, we have already established firm and mutual-benefit business relationships with customers from,Europe,America and south Asia,supplying obsolete and hard-to-find components to meet their specific needs.

With the principle of "Quality Parts,Customers Priority,Honest Operation,and Considerate Service",our business mainly focus on the distribution of electronic components. Line cards we deal with include Microchip,ALPS,ROHM,Xilinx,Pulse,ON,Everlight and Freescale. Main products comprise IC,Modules,Potentiometer,IC Socket,Relay,Connector.Our parts cover such applications as commercial,industrial, and automotives areas.

We are looking forward to setting up business relationship with you and hope to provide you with the best service and solution. Let us make a better world for our industry!



Contact us

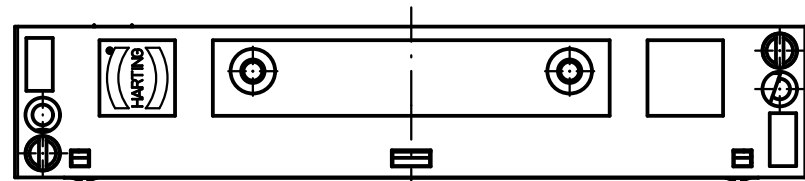
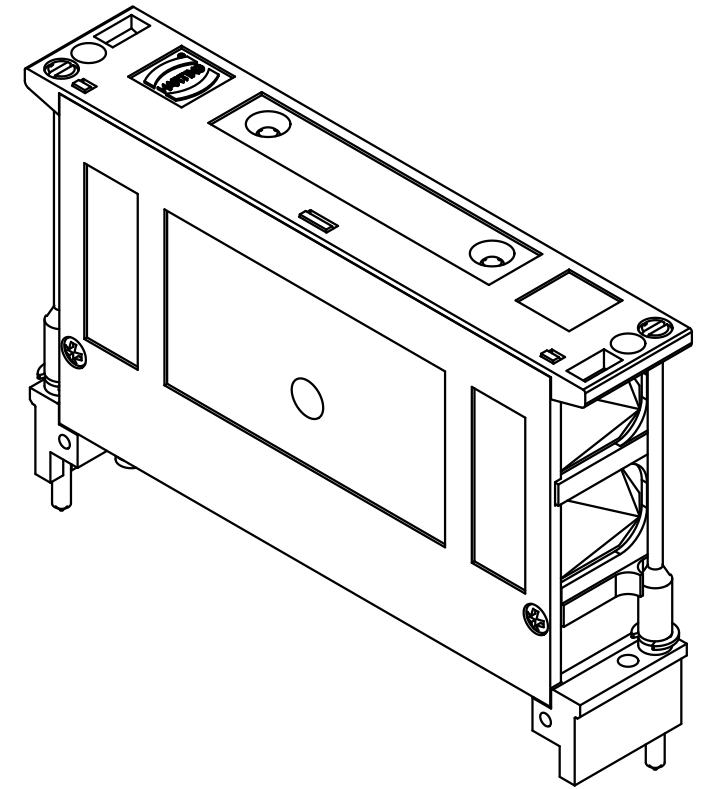
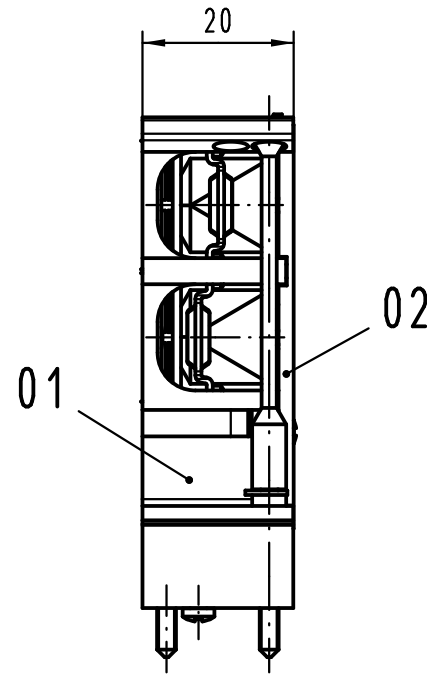
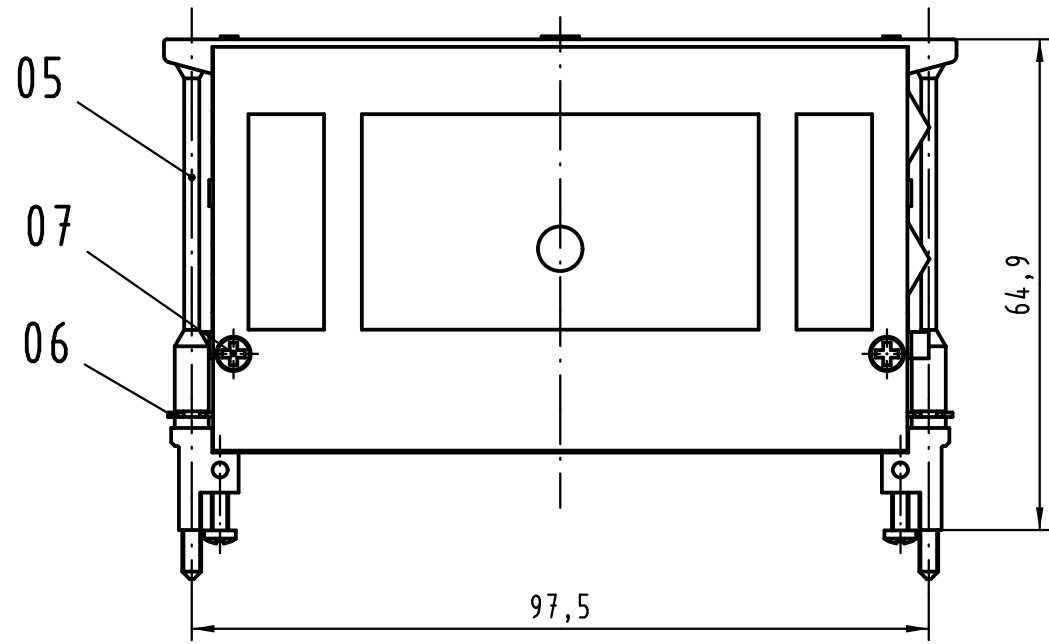
Tel: +86-755-8981 8866 Fax: +86-755-8427 6832

Email & Skype: info@chipsmall.com Web: www.chipsmall.com

Address: A1208, Overseas Decoration Building, #122 Zhenhua RD., Futian, Shenzhen, China

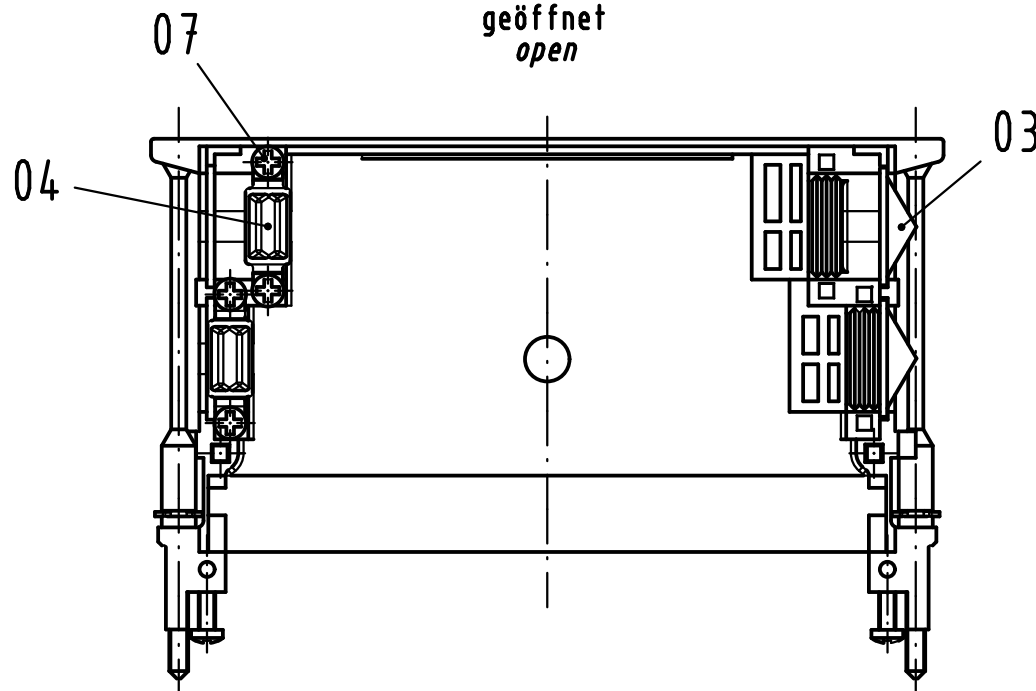


Alle Rechte vorbehalten/ All rights reserved



X

X
geöffnet
open



Inhalt Schalengehäuse content shell housing			Ersatzteile spare parts	
Pos. pos.	Anzahl number	Benennung description	Artikel Nr. part no.	Anzahl number
01	1	Grundschaale shell		
02	1	Deckel cover		
03	3	Blindstopfen blinding piece		
04	2	Kabelschelle D20 cable clamp D20	09 06 048 9993	1
05	2	Verriegelungsschraube M2,5 locking screw M2,5	09 06 000 9920 / Set	1
06	2	Sicherungsscheibe locking washer		1
07	12	PT-Schraube / screw 2,2x9,5-PZ1	09 06 001 9974	1

Teile nicht montiert
parts not assembled

All Dimensions in mm Original Size DIN A 3		Techn. Character.			Nicht tolerierte Maß/Free size tolerances	
		Dat.	Name	Maßstab/Scale	Schalengehäuse D20/4 metallisiert (Ni) für Federleisten Typ F, H und MH shell housing D20/4 metallised (Ni) for female connector type F, H and MH	
		Detail.	15.01.07 Hage.	1:1		
		Insp.	15.01.07 mte			
		Stand.				
36101	24.03.11	Hage.		HARTING Electronics GmbH & Co. KG D-32339 ESPELKAMP	TB 09 06 948 0522 Blatt/ page	
34186					Sub.	
Mod.	Dat.	Name				

