



Chipsmall Limited consists of a professional team with an average of over 10 year of expertise in the distribution of electronic components. Based in Hongkong, we have already established firm and mutual-benefit business relationships with customers from,Europe,America and south Asia,supplying obsolete and hard-to-find components to meet their specific needs.

With the principle of “Quality Parts,Customers Priority,Honest Operation,and Considerate Service”,our business mainly focus on the distribution of electronic components. Line cards we deal with include Microchip,ALPS,ROHM,Xilinx,Pulse,ON,Everlight and Freescale. Main products comprise IC,Modules,Potentiometer,IC Socket,Relay,Connector.Our parts cover such applications as commercial,industrial, and automotives areas.

We are looking forward to setting up business relationship with you and hope to provide you with the best service and solution. Let us make a better world for our industry!



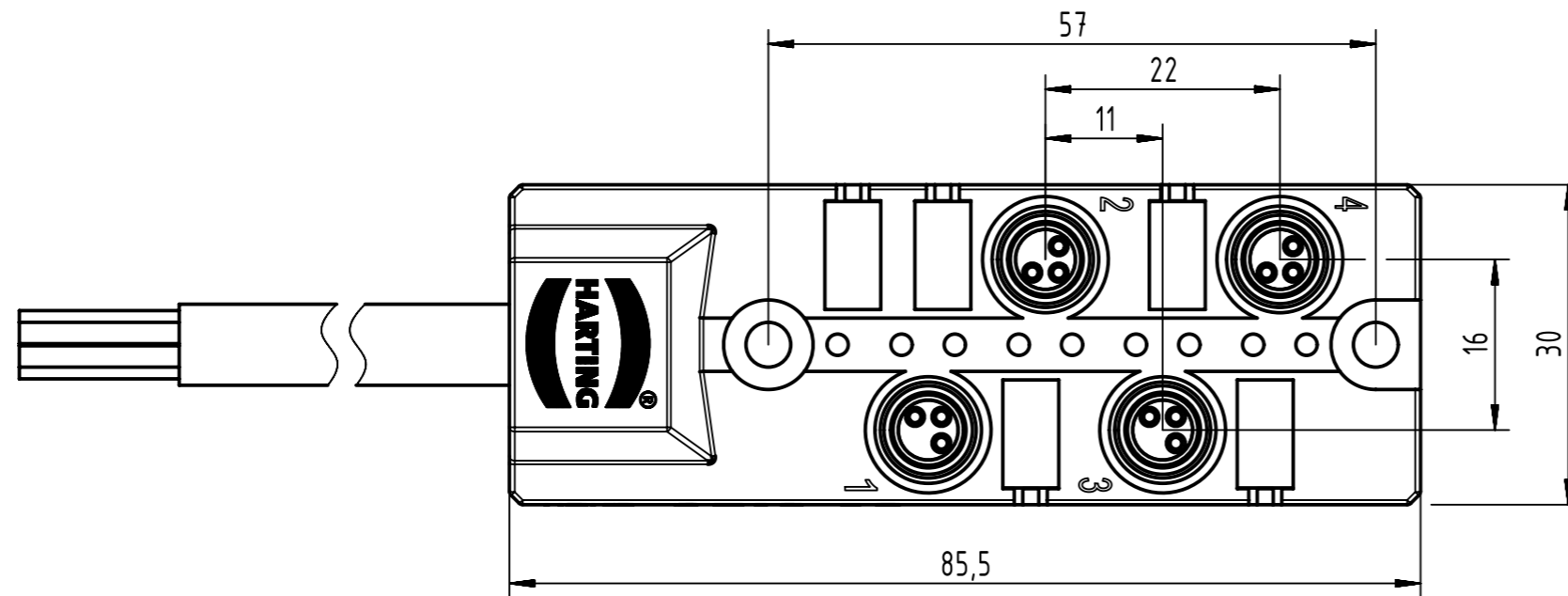
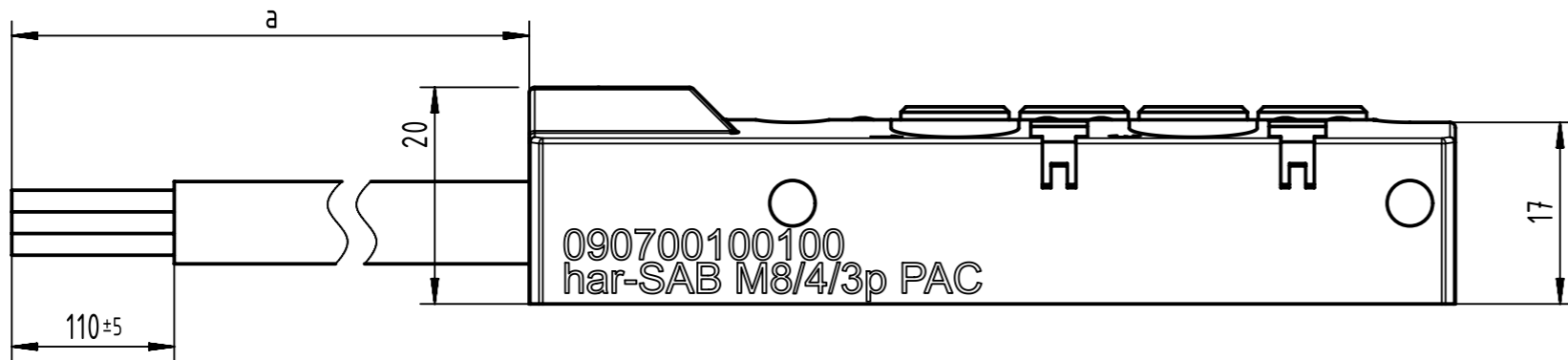
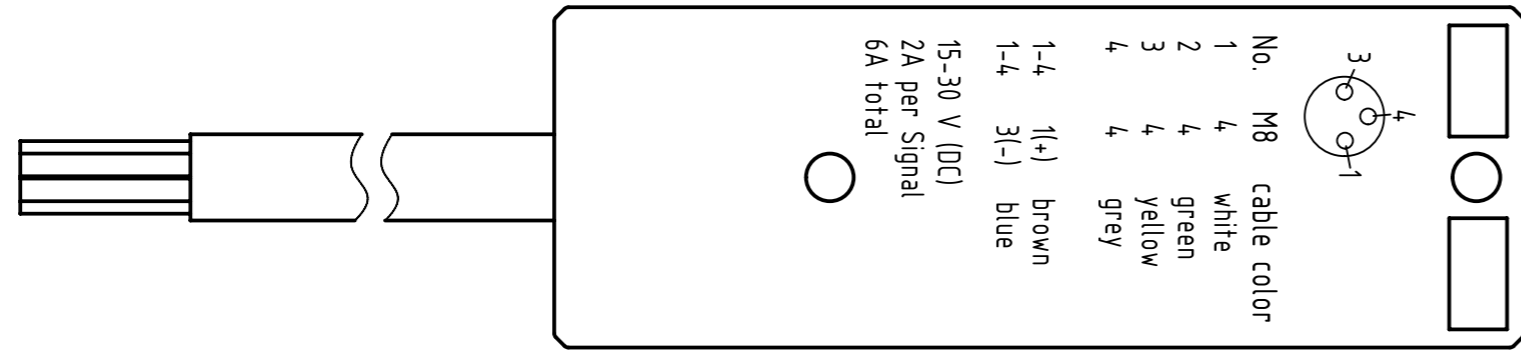
Contact us

Tel: +86-755-8981 8866 Fax: +86-755-8427 6832

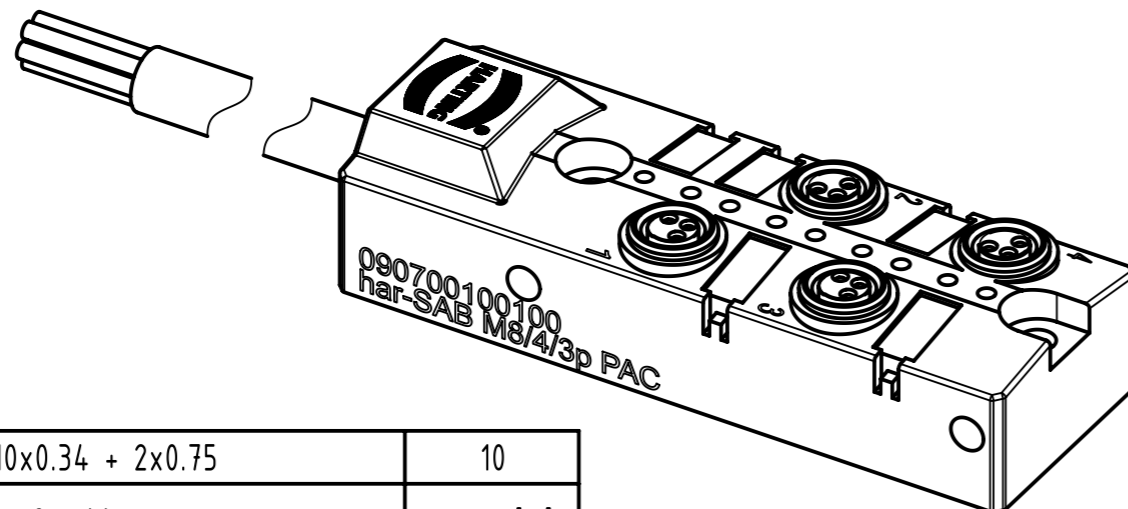
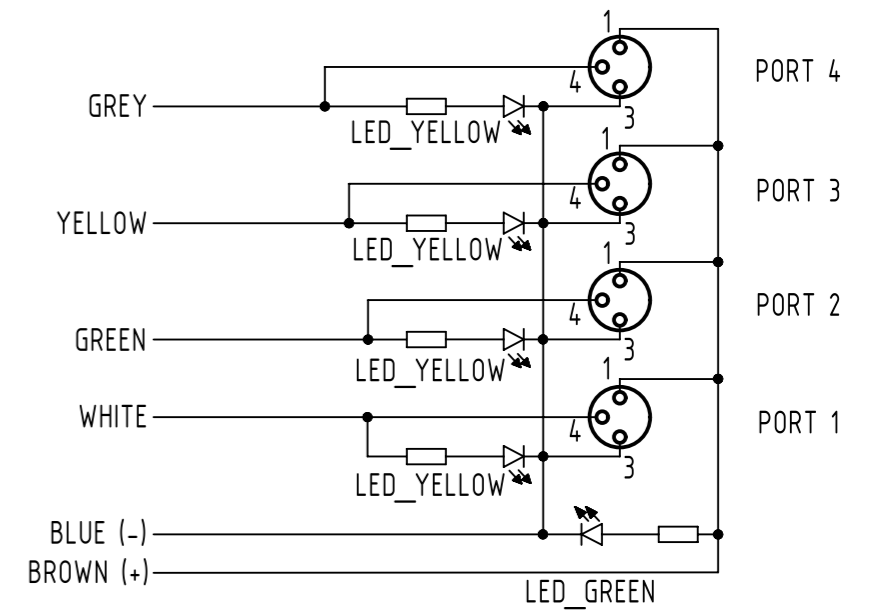
Email & Skype: info@chipsmall.com Web: www.chipsmall.com

Address: A1208, Overseas Decoration Building, #122 Zhenhua RD., Futian, Shenzhen, China





Loading plan



- Protection level: IP 67
- Temperature range: -25°C...+80°C

- Electrical data:
- Rated voltage: 15-30V DC
 - Nominal: 2 A per Contact
 - Current: 6 A max total

PUR, max. 10x0.34 + 2x0.75	10
Type of cable	Dim. a[m]

All Dimensions in mm		Tech. Character.		Free size tol.		According to production drawing	
All rights reserved Department HCS - RO	Created by	Inspected by	Standardisation	Date	State	Doc-Key / ECM-Nr.	
	MUNTEANV	POPESCU	AVRAM	2017-04-24	Final Release	100689666/UGD/000/C 500000118447	
HARTING Customised Solutions D-32427 Minden		Title		Number		Rev.	Page
		har-SAB M8/4/3p PAC		090700100100		C	1/1