



Chipsmall Limited consists of a professional team with an average of over 10 year of expertise in the distribution of electronic components. Based in Hongkong, we have already established firm and mutual-benefit business relationships with customers from,Europe,America and south Asia,supplying obsolete and hard-to-find components to meet their specific needs.

With the principle of “Quality Parts,Customers Priority,Honest Operation,and Considerate Service”,our business mainly focus on the distribution of electronic components. Line cards we deal with include Microchip,ALPS,ROHM,Xilinx,Pulse,ON,Everlight and Freescale. Main products comprise IC,Modules,Potentiometer,IC Socket,Relay,Connector.Our parts cover such applications as commercial,industrial, and automotives areas.

We are looking forward to setting up business relationship with you and hope to provide you with the best service and solution. Let us make a better world for our industry!



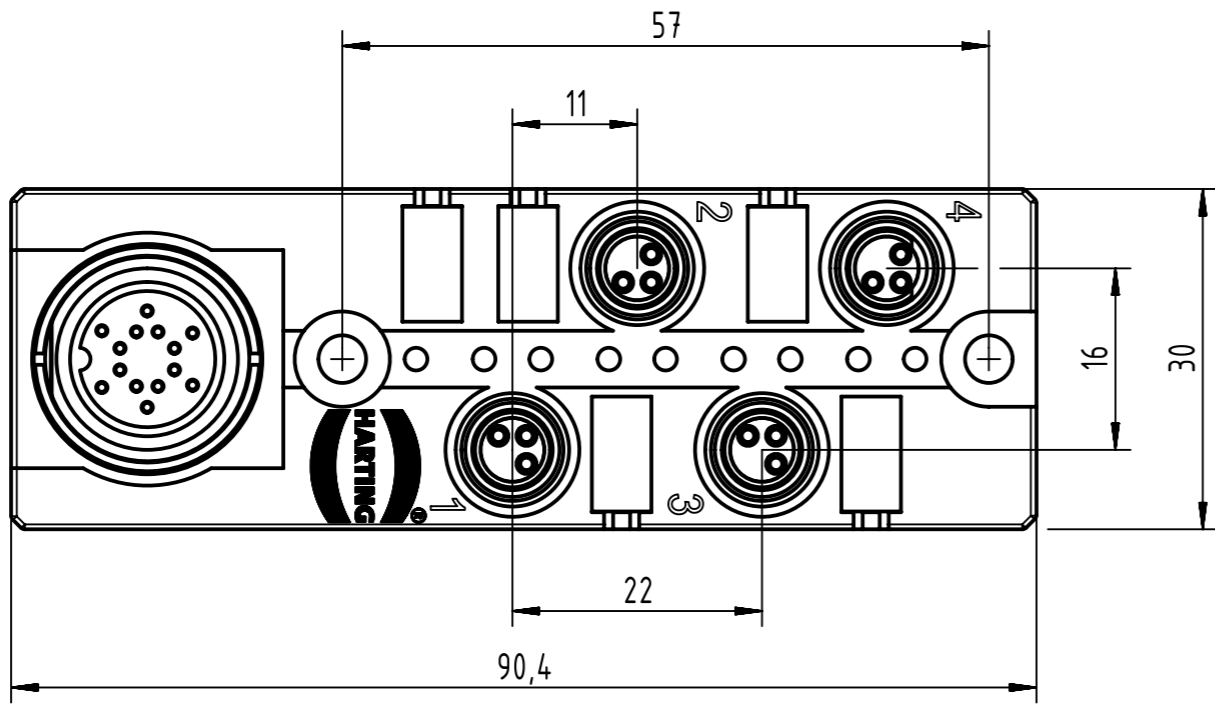
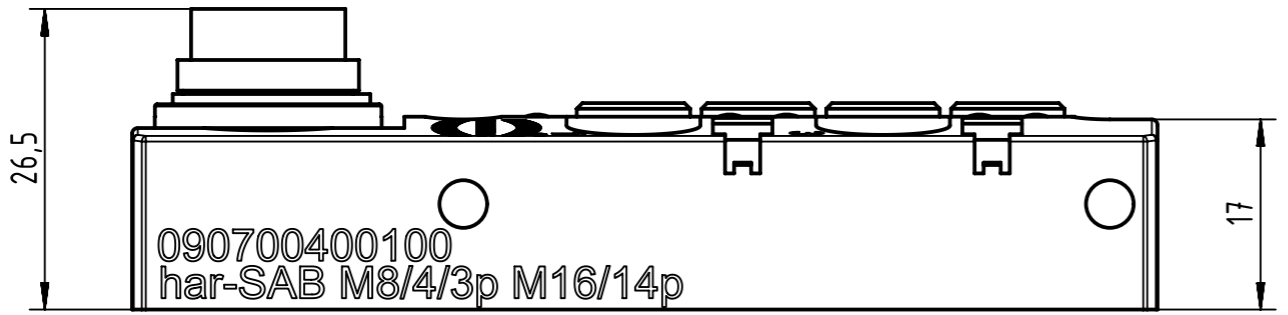
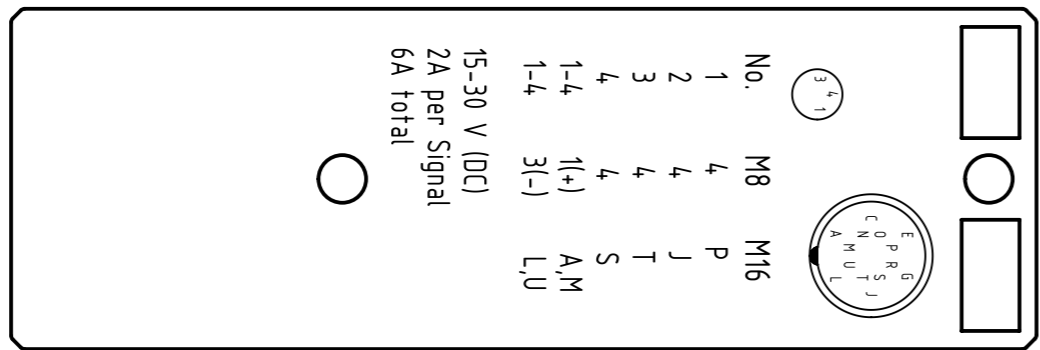
Contact us

Tel: +86-755-8981 8866 Fax: +86-755-8427 6832

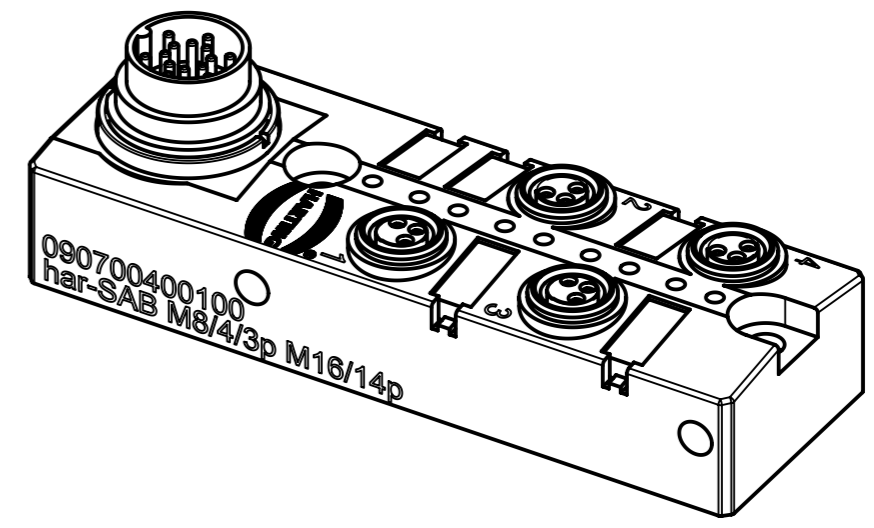
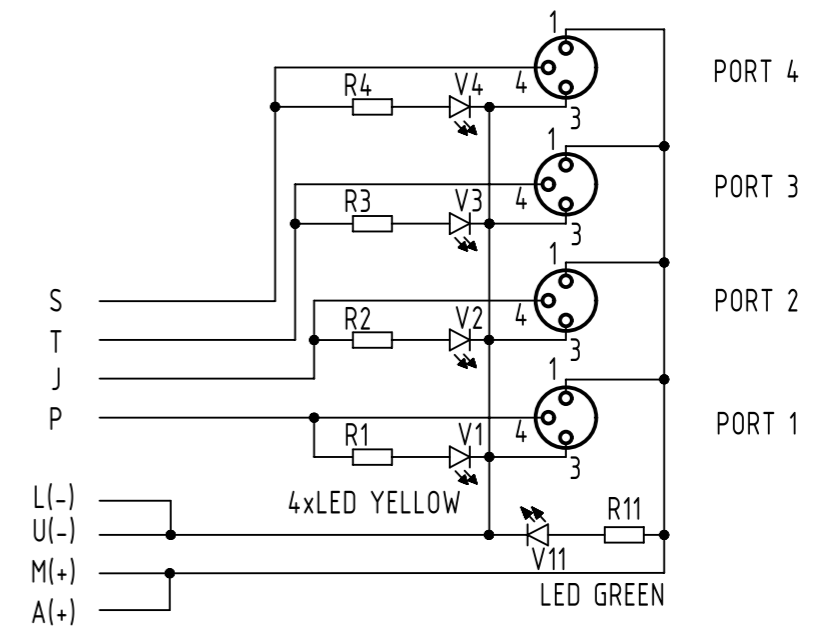
Email & Skype: info@chipsmall.com Web: www.chipsmall.com

Address: A1208, Overseas Decoration Building, #122 Zhenhua RD., Futian, Shenzhen, China





Loading plan



Electrical data:

- Rated voltage: 15-30V DC
- Nominal: 2 A per Contact
- Current: 6 A max total
- Protection level: IP 67
- Temperature range: -20°C...+80°C

	All rights reserved		Created by MUNTEANV		Inspected by POPESCUD		Standardisation AVRAM		Date 2017-04-24		State Final Release	
	Department HCS - RO		Title har-SAB M8/4/3p M16/14p		Doc-Key / ECM-Nr. 100689722/UGD/000/C 500000118447		Rev. C		Page 1/1			
HARTING Customised Solutions D-32427 Minden			Type TB		Number 090700400100							