



Chipsmall Limited consists of a professional team with an average of over 10 year of expertise in the distribution of electronic components. Based in Hongkong, we have already established firm and mutual-benefit business relationships with customers from,Europe,America and south Asia,supplying obsolete and hard-to-find components to meet their specific needs.

With the principle of “Quality Parts,Customers Priority,Honest Operation,and Considerate Service”,our business mainly focus on the distribution of electronic components. Line cards we deal with include Microchip,ALPS,ROHM,Xilinx,Pulse,ON,Everlight and Freescale. Main products comprise IC,Modules,Potentiometer,IC Socket,Relay,Connector.Our parts cover such applications as commercial,industrial, and automotives areas.

We are looking forward to setting up business relationship with you and hope to provide you with the best service and solution. Let us make a better world for our industry!



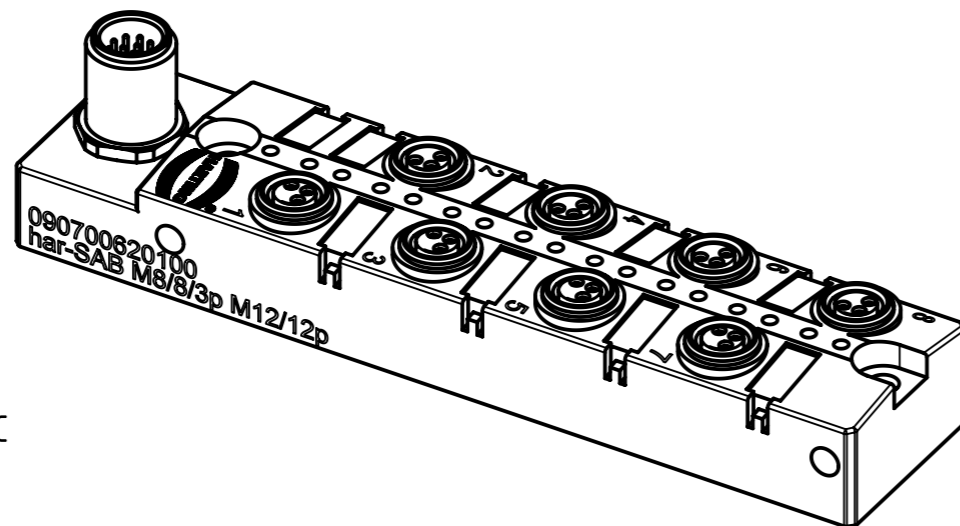
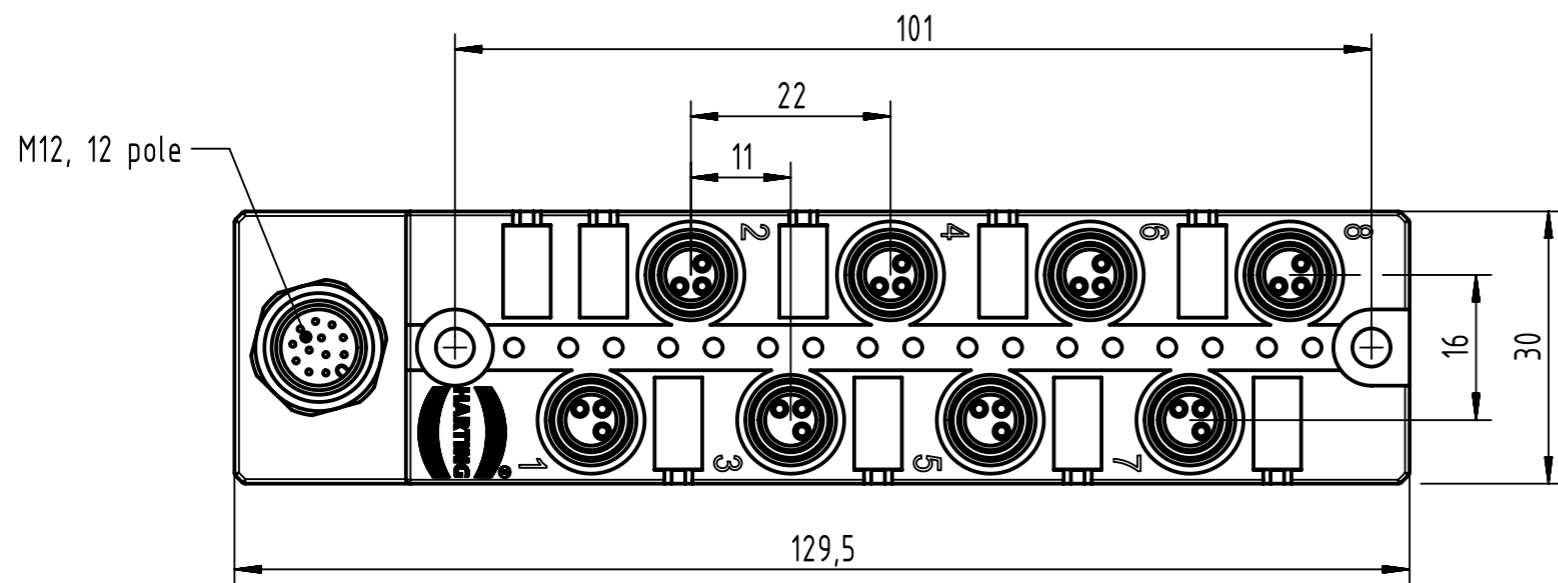
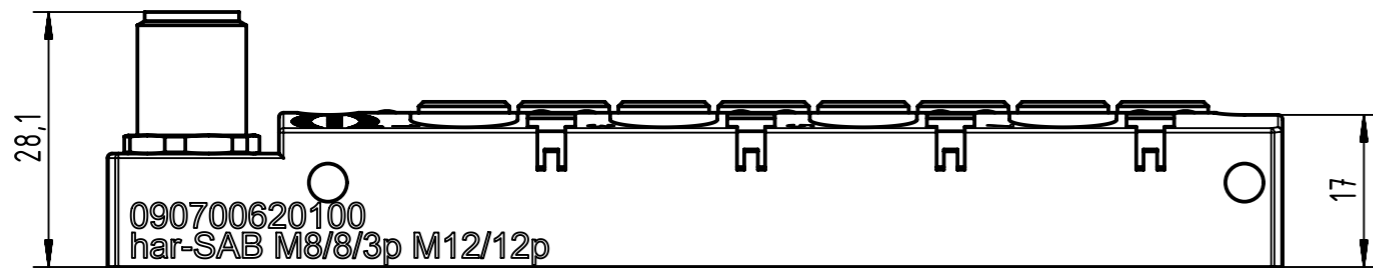
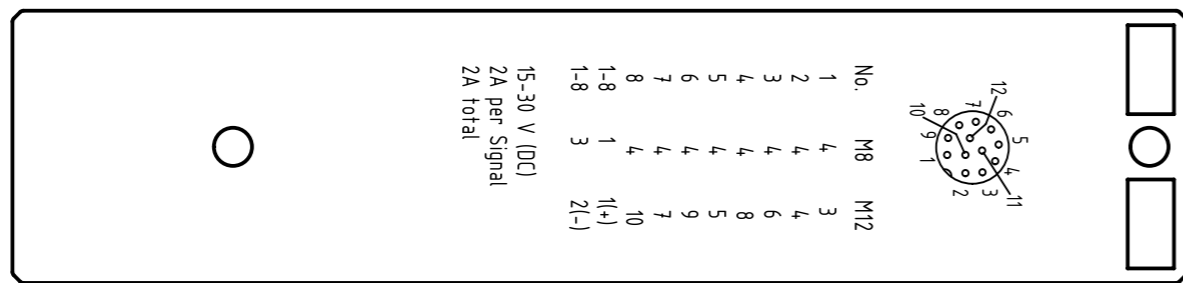
Contact us

Tel: +86-755-8981 8866 Fax: +86-755-8427 6832

Email & Skype: info@chipsmall.com Web: www.chipsmall.com

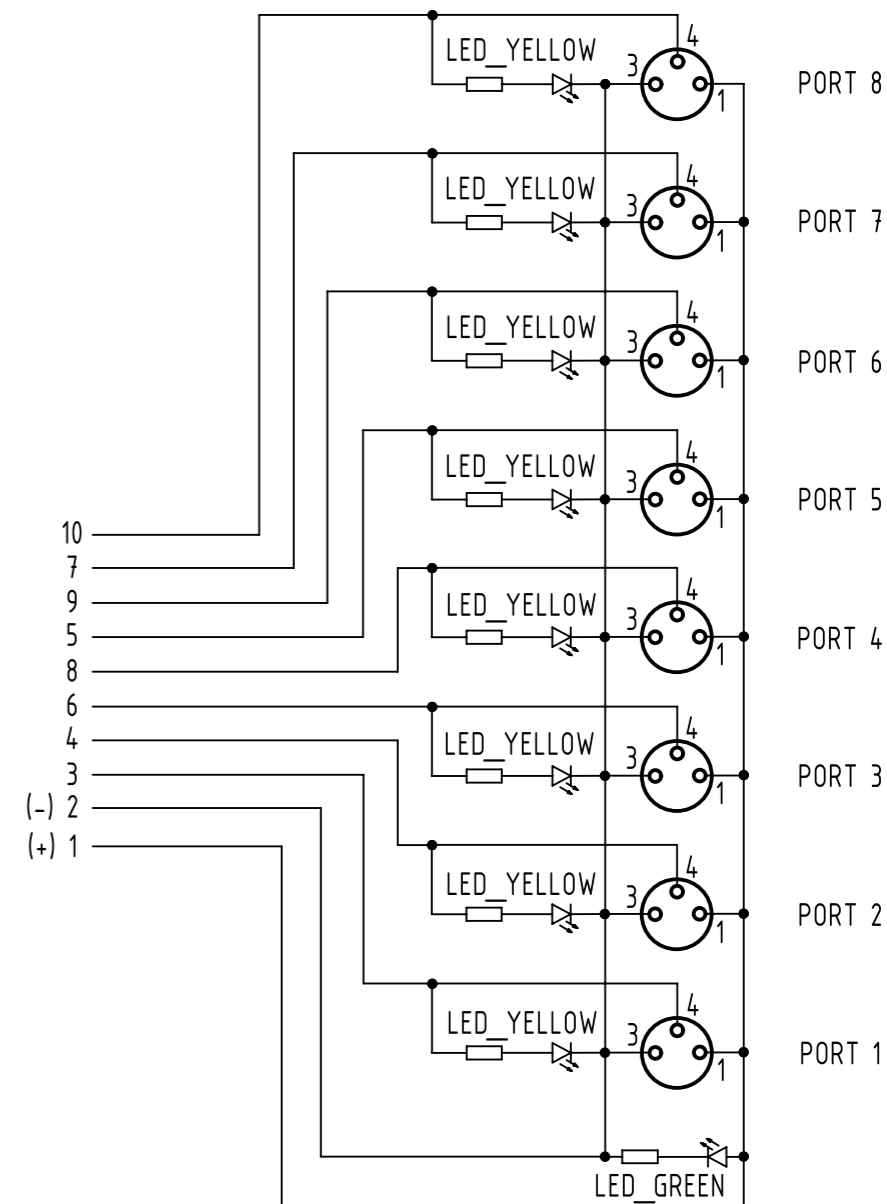
Address: A1208, Overseas Decoration Building, #122 Zhenhua RD., Futian, Shenzhen, China





Electrical data:
 -Rated voltage: 15-30V DC
 -Nominal: 2 A per Contact
 -Current: 2 A max total

Loading plan



- Protection level: IP 67
 - Temperature range: -25°C...+80°C

All Dimensions in mm		Tech. Character.		Free size tol.		According to production drawing	
	All rights reserved		Created by	Inspected by	Standardisation	Date	State
	Department HCS - RO		MUNTEANV	MUNTEANV	AVRAM	2017-08-18	Final Release
HARTING Customised Solutions			Title			Doc-Key / ECM-Nr.	
D-32427 Minden			har-SAB M8/8/3p M12/12p			100689687/UGD/000/C 500000123988	
			Type	Number	Rev.		Page
			TB	090700620100	C		1/1