



Chipsmall Limited consists of a professional team with an average of over 10 year of expertise in the distribution of electronic components. Based in Hongkong, we have already established firm and mutual-benefit business relationships with customers from,Europe,America and south Asia,supplying obsolete and hard-to-find components to meet their specific needs.

With the principle of “Quality Parts,Customers Priority,Honest Operation,and Considerate Service”,our business mainly focus on the distribution of electronic components. Line cards we deal with include Microchip,ALPS,ROHM,Xilinx,Pulse,ON,Everlight and Freescale. Main products comprise IC,Modules,Potentiometer,IC Socket,Relay,Connector.Our parts cover such applications as commercial,industrial, and automotives areas.

We are looking forward to setting up business relationship with you and hope to provide you with the best service and solution. Let us make a better world for our industry!



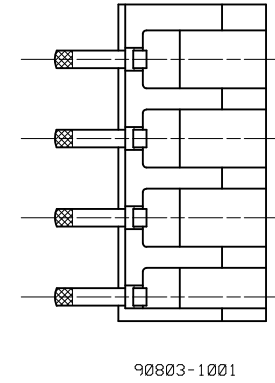
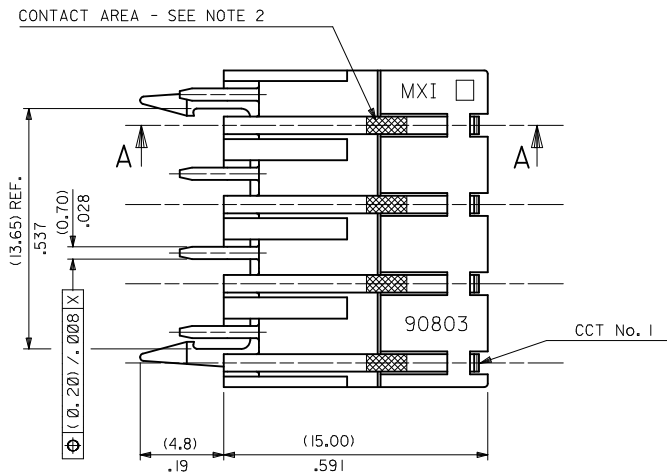
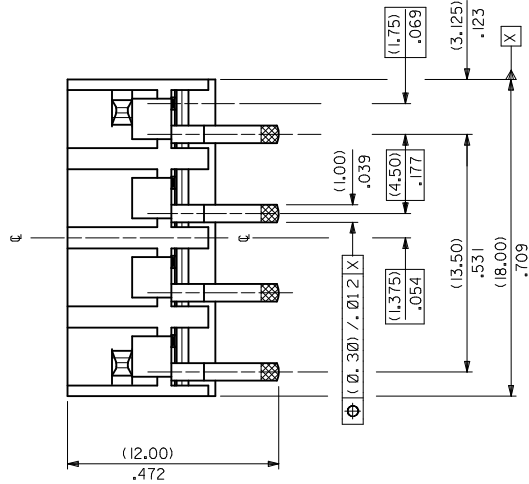
Contact us

Tel: +86-755-8981 8866 Fax: +86-755-8427 6832

Email & Skype: info@chipsmall.com Web: www.chipsmall.com

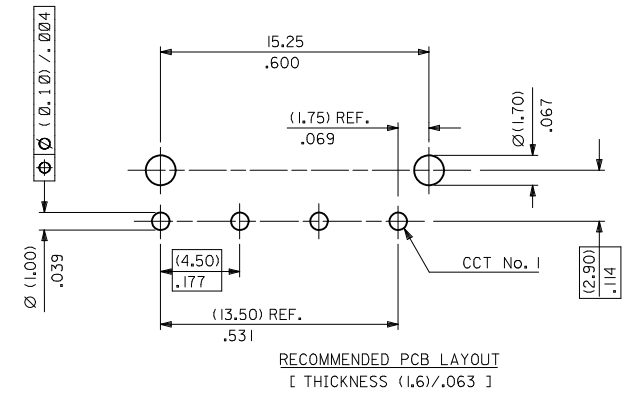
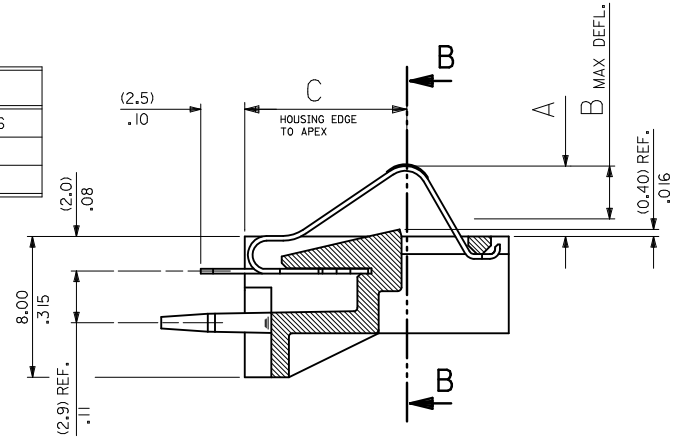
Address: A1208, Overseas Decoration Building, #122 Zhenhua RD., Futian, Shenzhen, China





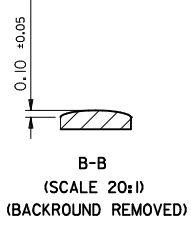
PART NUMBER*	CCT TYPE*	A DIM.	B DIM.	C DIM.
90803-1001	STANDARD	(4.0) / .16	(3.0) / .12	(9.2) / .36

PART NUMBER*	CCTS.	LATE-MATE CCT*	QTY PER TUBE
90803-1001	4	NONE	27



- NOTES:**
- HOUSING: GLASS FILLED NYLON 46, RATED UL 94V-0
COLOUR - BLACK
 - TERMINAL: (0.27) / .011 MIN. REF. THICK COPPER ALLOY (PHOS-BRONZE)
PLATING: (0.125) / .5 INCH MIN. GOLD FLASH ON (1.0) / .40 INCH MIN. PALLADIUM NICKEL, WITH (1.75) / .70 INCH MIN NICKEL UNDERPLATE, (3-5) / .120-2.00 INCH TIN IN SOLDER TAIL AREA WITH (1.27) / .50 INCH MIN NICKEL OVERALL
 - PRODUCTS ARE TO BE SUPPLIED IN TUBES

90803-1001 DRAWN FOR CLARITY



OBS 908031002 AS PER GCN# 10531282 EC No: S2012-0685 DRWN:ATSE 2012/03/07 CHKD:SKANG 2012/03/08 APPR:MLONG 2012/04/09	QUALITY SYMBOLS	GENERAL TOLERANCES (UNLESS SPECIFIED)	DIMENSION STYLE	SCALE	DESIGN UNITS	THIRD ANGLE PROJECTION
	F=0 F=0 F=0	mm INCH 4 PLACES ± --- ± --- 3 PLACES ± --- ± --- 2 PLACES ± 0.10 ± --- 1 PLACE ± 0.20 ± --- ANGULAR ± 3°	MM ONLY	NTS	METRIC	
	DRAWN BY: BGB CHECKED BY: BGB APPROVED BY: BGB	DATE: 1993/03/12 DATE: 1993/03/12 DATE: 1993/03/12	TITLE			BATTERY CONNECTOR ASSEMBLY 4.50 CENTRES MOLEX INCORPORATED
	DRAFT WHERE APPLICABLE MUST REMAIN WITHIN DIMENSIONS	MATERIAL NO. SEE TABLE SIZE: A3 THIS DRAWING CONTAINS INFORMATION THAT IS PROPRIETARY TO MOLEX INCORPORATED AND SHOULD NOT BE USED WITHOUT WRITTEN PERMISSION	SHEET NO. 1 OF 1 DOCUMENT NO. SDA-90803			